

# PROPOSAL

FOR

TANY 24-8

D214964

2" MILL AND INLAY, SAFETY IMPROVEMENTS AND  
MISCELLANEOUS WORK BETWEEN  
MILEPOST 47.6 AND MILEPOST 60.1 N/S

## BOOK 1 OF 1

THIS BOOK CONTAINS SPECIFICATIONS AND  
BID PROPOSAL WORKSHEETS

SUBMITTED IN ACCORDANCE WITH THE NEW YORK STATE  
DEPARTMENT OF TRANSPORTATION STANDARD SPECIFICATIONS  
OFFICIALLY ADOPTED JANUARY 1, 2024 EXCEPT AS MODIFIED  
IN THE PLANS AND/OR PROPOSAL AND ANY CHANGES WITH  
ARTICLE 2, TITLE 9 OF THE PUBLIC AUTHORITIES LAW.

LETTING OF  
**FEBRUARY 21, 2024**

BIDS DUE: 10:30 A.M.

BIDS OPEN: 11:00 A.M.



**Thruway  
Authority**

200 Southern Blvd., Albany, NY 12209

**NOTICE**  
**TO**  
**BIDDERS**

**In addition to the bid deposit requirement, this Proposal shall be accompanied by a Statement of Surety's Consent on the form furnished by the Authority. (See last page).**

**BIDDERS ARE SUBJECT TO LOSS OF BID DEPOSIT FOR FAILURE TO OBTAIN PROPER BONDING.**

# Thruway Authority Designated Contacts

Pursuant to NYS Finance Law Sections 139-j and 139-k, the following people are the designated contacts for this procurement process:

For all technical or engineering related questions:

- John MacDonald, PE  
Project Designer  
[John.MacDonald@thruway.ny.gov](mailto:John.MacDonald@thruway.ny.gov)

Or

- Joseph Capovani, PE  
Project Manager  
[Joseph.Capovani@thruway.ny.gov](mailto:Joseph.Capovani@thruway.ny.gov)

For all procurement contract process related questions:

- Ronald Smith  
Office of Procurement Services  
[Ronald.Smith@thruway.ny.gov](mailto:Ronald.Smith@thruway.ny.gov)


Or

- Andrew Trombley  
Office of Procurement Services  
[Andrew.Trombley@thruway.ny.gov](mailto:Andrew.Trombley@thruway.ny.gov)

For more information about NYS Finance Law Sections 139-j and 139-k, please see the New York State Thruway Authority Guidelines for Lobbying included in this Proposal.

# NEW YORK STATE THRUWAY AUTHORITY

## NOTICE TO BIDDERS

The Thruway Authority conducts public bid openings. Visitors who choose to hand deliver a bid and/or witness the bid opening are limited to one person. The Thruway Authority also uses  YouTube to broadcast its live bid openings. The link to live streams are available from the Thruway website here: <https://www.thruway.ny.gov/news/meetings/bid-openings.html>

or directly from  YouTube at:

<https://www.youtube.com/@nysthruwayauthority6263/streams>

Sealed bids must be hand delivered, or delivered by first class mail, USPS Express or Priority Mail, or overnight delivery service (e.g., FedEx, UPS) to the New York State Thruway Authority Headquarters Building, at the following address only: New York State Thruway Authority, 200 Southern Boulevard Albany, NY 12209.

Sealed bids should not be sent or delivered to any other address or location, and the Authority is not responsible for any late deliveries or misdirected bids.

Regardless of the delivery method selected, all sealed bids, whether paper or electronic form, must be delivered by 10:30 A.M, on Wednesday, February 21, 2024, where they will be opened publicly and read aloud at 11:00 A.M. Any bids sent or delivered to an address or location other than the one specified above, or received after this time, will not be accepted.

Contract TANY 24-8 / D214964 2" Mill and Inlay, Safety Improvements and Miscellaneous Work between Milepost 47.6 and Milepost 60.1 in the New York Division in Orange County in accordance with the Plans and Specifications.

**Your bid must be secured with either a Bid Bond or a Bid Deposit.** A Bid Bond must be in the amount of 5% of the total bid and must be on the Authority's Bid Bond Form (TA-44117) which is included in the Proposal. A Bid Deposit must be a certified check or cashier's check made payable to the New York State Thruway Authority in the amount of **\$1,500,000.00.**

Plans, proposals, and information on how to download Contract Bid Data are available on the Authority's Website at [www.thruway.ny.gov](http://www.thruway.ny.gov).

### **SPECIAL NOTE**

**The New York State Thruway Authority has discontinued the practice of reproducing and furnishing full-size and half-size plans to Contractors after contract award. Contractors shall be responsible for their own hard copies of plans and proposals at no additional cost to the Authority.**

## **New York State Can Help You Secure Surety Bonding**

The NYS Surety Bond Assistance Program (NYSBAP) provides technical and financial assistance to help contractors secure surety bonding. Contractors may be eligible to receive a guarantee of up to 30% to secure a surety bond line, bid bond or a performance and payment bond on State projects. Training is also available to contractors requiring technical support on how to become bond-ready. For more information and to fill out a NYSBAP application, visit <http://esd.ny.gov/BusinessPrograms/BondingAssistance.html> or contact Ms. Huey-Min Chuang at Empire State Development at 212-803-3238 or [BAP@esd.ny.gov](mailto:BAP@esd.ny.gov).

**SPECIAL NOTE**  
**REQUEST FOR INFORMATION (RFI)**

A **request for information (RFI)** is a written process used to clarify a detail, specification, or note in the contract documents, provide notification of a possible error or omission, or request a minor modification due to possible unforeseen issues that may occur during construction.

However, during the period between project advertisement and award of contract, the prospective Bidder/Contractor shall submit all RFIs to the appropriate "Designated Contact" via e-mail, as listed elsewhere in the Proposal. The prospective Bidder's/Contractor's RFI shall be forwarded to the designated contact. The Bidder Request for Information, Thruway Authority form TA-W44137, can now be found on the Authority's website at:

<http://www.thruway.ny.gov/business/contractors/documents/ta-w44137.pdf>

This form should be filled out as completely and accurately as possible, numbered sequentially, as may be necessary, and saved in pdf format. Any supporting information that may help describe the issue more clearly, as well as any suggestions or recommendations for possible resolution, should also be provided. The form once complete shall be forwarded to the designated contact as instructed in the form.

Responses by the Authority to RFI's will be documented as Questions and Answers and posted for all bidders' reference, under each respective project, on the Thruway Authority's website at:

<http://www.thruway.ny.gov/business/contractors/documents/index.shtml>

Questions and Answers posted to the Authorities internet page may not be memorialized as amendments. Thus, prospective bidders are advised to check the Thruway Authority's website regularly before letting (or proposals are due), for Questions and Answers updates. Please be advised that RFI's submitted the week of the letting may not be answered.

Any changes to the Contract documents that result from an RFI will be addressed via an amendment.

# New York State Thruway Authority

## Contract No. TANY 24-8

---

### TABLE OF CONTENTS

#### PROJECT INFORMATION

|  |    |
|--|----|
| Proposal Estimate .....  | 1  |
| Pre-Award Notice / Contract Award .....                                | 2  |
| Pre-Bid Inspection / Preconstruction Meeting / Withdrawal of Bid ..... | 3  |
| Work to be Done.....   | 4  |
| Schedule and Suspension of Work.....                                   | 5  |
| Project Notes.....   | 9  |
| Supplemental Information Available to Bidders .....                    | 17 |

#### REVISIONS TO NYSDOT STANDARD SPECIFICATIONS

|   |    |
|---|----|
| NYSTA Addendum to the Standard Specifications ..... | 18 |
|---|----|

#### SPECIAL SPECIFICATIONS

|   |    |
|---|----|
| Special Note — Special Specification Pay Item Numbers ..... | 19 |
| Project Special Specifications.....                         | 20 |

#### SPECIAL NOTES

|   |     |
|---|-----|
| Confidential Information.....   | 73  |
| Control of Materials .....  | 76  |
| Availability of Electronic Bid Data .....   | 77  |
| Requirements for Contractor’s Utilization of Areas Outside of the<br>Right-of-Way.....              | 78  |
| Compliance with State Pollutant Discharge Elimination System (SPDES)<br>Regulations.....            | 79  |
| Nationwide 3 Permit – Maintenance .....   | 80  |
| Diesel Emission Reduction Act (DERA) Regulatory Compliance<br>Green Construction Requirements ..... | 121 |
| “Generator Knowledge” for Disposal of Treated Wood .....  | 125 |
| Forest Insect Disease Control .....   | 126 |
| Marker Relocation During Construction .....   | 128 |
| Project Special Notes .....   | 129 |

#### COMPLIANCE REQUIREMENTS AND PROCEDURES

|   |     |
|---|-----|
| Contract Goals for DBE/MWBE/SDVOB Participation .....             | 144 |
| Chart A – Goals for Minority Participation .....                  | 145 |
| Minority/Women-Owned Business Enterprises (MWBEs).....            | 147 |
| Reporting .....   | 148 |
| Service-Disabled Veteran-Owned Business Enterprises (SDVOB) ..... | 151 |
| Training Special Provisions .....                                 | 160 |
| Workforce Utilization/Gross Wages Reporting.....                  | 164 |
| Reporting and Submission Schedules .....                          | 166 |

**STATE WAGE RATE INFORMATION**

Wage Rates / Special Notice to Bidders in Relation to Overtime Dispensation ..... 167  
Special Note: State Prevailing Wage Rates..... 168  
State Wage Rates ..... 169

**AGREEMENT, FAITHFUL PERFORMANCE BOND AND LABOR AND MATERIAL BOND**

New York State Thruway Agreement..... 183  
Faithful Performance Bond ..... 207  
Labor and Material Bond ..... 213  
(TAP-326 (11/2023) Appendix A – Standard Clauses for New York State  
Thruway Authority Contracts ..... 215

**BID PROPOSAL**

Itemized Proposal..... 217  
Non-Collusive Bidding Certification..... 231  
Iran Divestment Certification..... 232  
MacBride Fair Employment Principals Certification ..... 233  
Certification Under Executive Order No. 16 Prohibiting State Agencies and  
Authorities from Contracting with Businesses Conducting Business in Russia ..... 234  
Signature Sheet..... 235  
Bid Bonds ..... 236  
New York State Thruway Authority Guidelines for Lobbying..... 239  
Disclosure of Prior Non-Responsibility Determinations..... 242  
Certificate of Compliance (TA-W2111-9) ..... 243  
Amendment Acknowledgment ..... 244  
Statement of Surety’s Consent ..... 245



# **PROJECT INFORMATION**

NEW YORK STATE THRUWAY AUTHORITY  
 DEPARTMENT OF ENGINEERING  
 PROPOSAL ESTIMATE FOR  
 2" MILL AND INLAY, SAFETY IMPROVEMENTS  
 AND MISCELLANEOUS WORK  
 BETWEEN  
 MILEPOST 47.6± AND MILEPOST 60.1±  
 IN THE  
 NEW YORK DIVISION  
 OF THE  
 NEW YORK STATE THRUWAY  
 IN  
 ORANGE COUNTY

| TYPE               | LIMITS                           |
|--------------------|----------------------------------|
| Milling and Paving | 12.5± miles plus advance signing |

DEPOSIT REQUIRED \$1,500,000.00

COMPLETION DATE 11/22/2024

**PRE-AWARD NOTICE**

A Pre-Award Meeting has not been scheduled for this project. If a Pre-Award Meeting is deemed necessary, notice of the date and time will be provided.

To assist the Authority in its award process, the successful low bidder must furnish the following items upon request:

1. A current New York State Uniform Contracting Questionnaire (NYSUCQ) CCA-2 form must be on file;
2. A list of current contracts giving the firm or agency for which they are being performed, the name and phone number of someone therein familiar with the contractor's work, the contract amount, and percent of completion;
3. Pre-Award Project Schedule;
4. Documentation of the actions taken to comply with the Minority/Women's Business Enterprise Utilization goals (Non-Federal), or Disadvantaged Business Enterprise goals (Federal) as defined in the Proposal;
5. A "Schedule of Participation of Minority/Women's Business Enterprise" (Form TA-1022), or Disadvantaged Business Enterprise" (Form TA-1022F);
6. AAPHC-89 Approval to Subcontract.

Contract Documents will be supplied with the Authority's notice to the successful low bidder and must be executed and returned to the Authority within ten (10) days of receipt.

If a Pre-Award Meeting is held, it is requested that the Project Superintendent be present. The Contractor should be prepared to provide, upon request by the Authority, information regarding, among other things, the following:

1. Use of subcontractors, including who they will be and what items of work they will perform;
2. Suppliers and manufacturers;
3. Traffic control and safety;
4. Any anticipated problems that could affect the progression of the project.

**CONTRACT AWARD**

The award process cannot begin until the executed Contract Documents have been returned to the Authority and the successful Low Bidder has provided acceptable documentation with regard to his actions taken to comply with the M/WBE goals of this Contract or DBE Goals for Federally Aided Contracts.

**ALL BIDDERS****PRE-BID INSPECTION**

The prospective bidder must have in its possession the Contract Plans/Proposal and a Work Permit for identification purposes when conducting a pre-bid inspection of the Thruway facility.

The prospective bidder shall inform the appropriate Division Point of Contact (listed below) prior to visiting the site and shall strictly comply with all instructions and requirements.

- **The New York State Thruway Authority Permit Application (TA-W5124)** and information on required insurance documentation is available at <http://www.thruway.ny.gov/business/realproperty/permits.html>. The application along with insurance documentation shall be submitted to the appropriate Thruway Authority Division Permit Coordinator as indicated on page 2 of the application. The fee is waived for this Pre-Bid Inspection.

| <b><u>Division</u></b> | <b><u>Point of Contact</u></b> | <b><u>Phone</u></b> |
|------------------------|--------------------------------|---------------------|
| New York               | Permit Coordinator             | (845) 918-2510      |
| Albany                 | Gary Raylinsky                 | (518) 436-2710      |
| Syracuse               | Jerrin George                  | (315) 438-2391      |
| Buffalo                | Nicholas Przybylski            | (716) 635-6253      |

Provisions of Section 107-05, Equipment Safety Procedures, contained in the Contract Proposal shall apply to all Pre-Bid Inspectors and shall be strictly adhered to while performing the pre-bid inspection.

**PRECONSTRUCTION MEETING**

A Pre-Construction Meeting will be held prior to the start of construction. The time, date and location will be coordinated by the Division Construction Engineer who will provide this information to the successful low bidder as soon as it is available.

**WITHDRAWAL OF BID**

A Contractor may at any time, upon at least fifteen (15) days written notice, withdraw its bid on a date sixty (60) days after bid opening or thirty (30) days after the properly executed contract documents have all been received by the Authority, whichever is later. The bid bond, bid deposit, and/or performance bond shall remain in effect until such period of written notice has expired provided the contract has not been approved by the Office of the State Comptroller in the interim.

The Contractor and the Authority may agree in writing to extend the date upon which the bid may be withdrawn if the contract has not been approved by the Office of the State Comptroller.

**WORK TO BE DONE**

The following is a general description of the work to be done under this contract. This list is intended to give the contractor a general description of the work involved in this contract and is not a complete listing of all work to be done. All work shall be done in accordance with the contract documents even though not specifically mentioned in this list.

1. Provide Basic Work Zone Traffic Control according to the contract documents and as ordered by the Engineer (A.O.B.E).
2. Perform full depth repairs and longitudinal joint pavement repairs prior to production milling, inlaying and overlaying operations.
3. Cold mill asphalt on mainline and shoulder pavement and resurface with warm mix asphalt (WMA) to the limits as shown on the contract documents, and A.O.B.E. The two-inch mill and inlay limits shall include all U-turns (MP 49.20±, MP 50.21±, MP 51.30±, MP 52.78±, MP 55.39±, MP 58.21±, and MP 59.69±), acceleration and deceleration lanes, gores and ramps to 50 feet beyond the gores, A.O.B.E., and the Northbound ramp to Route 17K Right-of-Way shall be paved. The area in front of the Interchange 17 salt sheds and the Interchange 17 Troop T parking areas shall also be paved.
4. At the Interchange 17 Exit ramp, install temporary positive barrier. Remove existing barrier. Sawcut and remove excess concrete slabs pavement. Replace the damaged rail and posts. Install protective vegetation strip. The area shall be brought up to grade topsoiled and seeded and turf established.
5. Wearing surfaces on the following bridge locations are to be replaced: MP 49.78±, MP 52.83±, MP 54.74±, and MP 55.94±. At the MP 49.98± Woodbury Creek Bridge, no separate bridge wearing surface exists and this should be paved as part of the highway.
6. Bridge joint system repair and/or replacements shall be included at the following bridges: MP 49.78±, MP 52.83±, MP 55.94±, and MP 60.11±.
7. Guide rail safety upgrades shall be installed where indicated.
8. Install temporary and permanent pavement striping.
9. Place and compact shoulder backup material A.O.B.E.
10. Remove markers, posts, and brackets and install new markers posts and brackets according to the contract documents.
11. Perform miscellaneous work A.O.B.E.
12. Clean and restore all disturbed areas.

## SCHEDULE AND SUSPENSION OF WORK

The New York State Thruway is a limited access, high-speed, high-volume highway. Traffic shall be maintained in accordance with the *Manual on Uniform Traffic Control Devices (MUTCD)*, the *Work Zone Traffic Control Plans*, the *Standard Specifications* Section 619 and the following provisions:

### **A. WORK ZONE TRAFFIC CONTROL**

1. Lane closures on the Thruway shall only be allowed in accordance with the traffic management table(s), available on the Thruway Authority website at <http://www.thruway.ny.gov/business/contractors/standard-sheets/index.shtml>, unless indicated otherwise in the contract documents. If more than one table is applicable to a work zone location, the most restrictive requirements shall be used. Traffic management tables do not guarantee lane closure availability; the requirements of Section B. *Work Restrictions* shall supersede these tables, when applicable.
2. Lane closures on the Thruway will be permitted for work site access, delivery of materials and equipment, and work operations. Personal vehicles will **NOT** be allowed to park along the Thruway or within lane closures on the Thruway at any time. During non-working hours, all equipment and materials shall be stored at least 30 feet from the edge of pavement (both mainline and ramps) or be protected by a physical barrier approved by the Engineer.
3. Lane closures will **NOT** be permitted during holiday periods or when unforeseen circumstances arise, as described in Section B. *Work Restrictions*, unless indicated otherwise in the contract documents.
4. Lane closures will **NOT** be permitted for the sole convenience of the Contractor. Lane closures will be permitted in order to protect traffic from an actual hazard, as determined by the Engineer.
5. Permanent lane closures will **NOT** be permitted for the duration of the contract.
6. Simultaneous closure of right and left shoulders will **NOT** be permitted unless indicated otherwise in the contract documents. Either right or left shoulder must remain clear and available through all work zones. The open shoulder shall not be used for the storage of vehicles, equipment, supplies or any other obstructions, or for any work activity.
7. Ramp closures will **NOT** be permitted, unless indicated otherwise in the contract documents. Access to interchanges, service areas and parking areas shall be maintained at all times.
8. Traffic will **NOT** be permitted to drive on milled pavement, unless indicated otherwise in the contract documents.

### **B. WORK RESTRICTIONS**

1. **HOLIDAY PERIODS.** Lane closures will **NOT** be permitted during holiday periods, unless indicated otherwise in the contract documents. The Authority may permit work on Thruway facilities only if operations do not inhibit or distract traffic. Access to work sites from state and local roads will be permitted provided the municipality having jurisdiction for the road gives written permission. Holiday periods for this project shall be as follows:

SCHEDULE AND SUSPENSION OF WORK

\*\*\*NEW YORK DIVISION\*\*\*

| 2024                            |           |           |            |            |           |            |
|---------------------------------|-----------|-----------|------------|------------|-----------|------------|
| HOLIDAY                         | FROM      |           |            | TO         |           |            |
|                                 | TIME      | DAY       | DATE       | TIME       | DAY       | DATE       |
| Dr. Martin Luther King, Jr. Day | 6:00 a.m. | Friday    | 01/12/2024 | 10:00 a.m. | Tuesday   | 01/16/2024 |
| Presidents' Day                 | 6:00 a.m. | Friday    | 02/16/2024 | 10:00 a.m. | Tuesday   | 02/20/2024 |
| Easter                          | Noon      | Thursday  | 03/28/2024 | 6:00 p.m.  | Monday    | 04/01/2024 |
| Passover                        | Noon      | Monday    | 04/22/2024 | 9:00 p.m.  | Monday    | 04/22/2024 |
|                                 | Noon      | Tuesday   | 04/23/2024 | 9:00 p.m.  | Tuesday   | 04/23/2024 |
| Mother's Day                    | 6:00 a.m. | Sunday    | 05/12/2024 | Midnight   | Sunday    | 05/12/2024 |
| Memorial Day                    | Noon      | Thursday  | 05/23/2024 | 10:00 a.m. | Tuesday   | 05/28/2024 |
| Independence Day                | Noon      | Wednesday | 07/03/2024 | 10:00 a.m. | Monday    | 07/08/2024 |
| Labor Day                       | Noon      | Thursday  | 08/29/2024 | 9:00 p.m.  | Tuesday   | 09/03/2024 |
| Rosh Hashanah                   | Noon      | Wednesday | 10/02/2024 | 9:00 p.m.  | Wednesday | 10/02/2024 |
|                                 | Noon      | Thursday  | 10/03/2024 | 9:00 p.m.  | Thursday  | 10/03/2024 |
| Yom Kippur                      | Noon      | Friday    | 10/11/2024 | 9:00 p.m.  | Friday    | 10/11/2024 |
|                                 | Noon      | Saturday  | 10/12/2024 | 9:00 p.m.  | Saturday  | 10/12/2024 |
| Columbus Day                    | 6:00 a.m. | Friday    | 10/11/2024 | 10:00 a.m. | Tuesday   | 10/15/2024 |
| Veterans Day                    | Noon      | Friday    | 11/08/2024 | 10:00 a.m. | Tuesday   | 11/12/2024 |
| Thanksgiving                    | Noon      | Tuesday   | 11/26/2024 | 10:00 a.m. | Monday    | 12/02/2024 |
| Christmas/New Year's Day        | Noon      | Friday    | 12/20/2024 | 10:00 a.m. | Thursday  | 01/02/2025 |

2. Proposed lane closure schedules shall be submitted to the Engineer for review and approval at least one week in advance of the earliest closure.
3. The Contractor shall **NOT** be allowed to establish any lane closures during periods of inclement weather, wet or icy pavement, reduced visibility, traffic accident, emergency, or if the lane closure is causing excessive delay to the public. The Authority reserves the right to alter any lane closure and/or direct the Contractor to immediately remove a lane closure during such circumstances. The Authority shall be the sole judge of when conditions warrant these lane closure restrictions, and such restrictions will not entitle the Contractor to file a claim for additional compensation.
4. **WINTER SHUTDOWN.** A winter shutdown shall be in effect from 3:00 p.m. **November 15** to 6:00 a.m. **April 1**. During this period, the Contractor shall **NOT** be permitted to have lane closures. All temporary tape lines shall be removed, temporary concrete barrier shall be set in its winter shutdown location, and all traffic shall be re-established to its pre-construction configuration on permanent alignment. Mobilization for the following construction season may begin prior to **April 1** with permission from the Authority.
5. The Contractor shall submit a Plan of Operations to the Engineer prior to working on any full-depth repair area shown in the contract documents. The Plan of Operations shall list all full-depth repair areas and the estimated duration to complete each location. The Contractor shall also identify any full-depth repair area that may not be completed within the timeframes allowed by the traffic management table(s). For such location(s), the Contractor may request a waiver of restrictions to complete the repair(s). The Authority will review the request and determine whether or not a waiver will be granted. The Authority has the right to divide repair areas into smaller sections in lieu of granting a waiver.

**SCHEDULE AND SUSPENSION OF WORK**

6. The Contractor shall have 45 calendar days to replace the Milled in Audible Roadway Delineators (MIARDs; Formerly referred to as Shoulder Treatment for Accident Reduction (STAR) groove pattern) where more than 1,500 contiguous feet have been removed by other contract work. The Contractor shall also ensure that MIARDs are installed prior to the official shutdown period, regardless of the 45 calendar day requirement or the length removed. Exceptions to this requirement are shoulders protected by temporary traffic control devices installed as part of a work zone traffic control plan developed in the contract documents or areas directly adjacent to detour pavement that will be used in subsequent phase(s) of the project.

The Contractor shall consider these requirements when preparing bids and scheduling/sequencing the work for this contract. Failure to comply with the time frames specified will be considered a substantial deficiency in work zone traffic control and result in the non-payment for the Basic Work Zone Traffic Control Item for each calendar day during which MIARDs (formerly referred to as STARS) remain incomplete. Liquidated Damages will also be assessed at rates shown in Table 108-1 of the NYSDOT Standard Specifications.

7. Work restrictions may be modified if:
- a. The Contractor has received permission through the Engineer, from the Division Director or designee, to progress construction operations contained entirely behind temporary concrete barrier. There shall be no hauling of materials in or out of the work site during restricted periods, and open lane availability requirements shall not be violated or compromised.
  - b. The Contractor has received permission through the Engineer, from the Division Director or designee, for temporary modification of the lane availability restrictions for performance of specific construction operations for a specific time period.

**NOTE:** Such requests must be based on current traffic volumes which would permit the requested temporary modification with little probability of causing disruption or delay to the public.

The Contractor shall include full explanation of the benefits to the Public and to the Authority, which would accrue in granting a temporary waiver for performance of the specific operations including calculations for any credit that may be offered. A contingency plan for action to be taken, should an unexpected traffic backup occur, shall accompany this presentation and will be one prime consideration in evaluating the request.

- c. The Contractor has received written authorization from the Division Director or designee to perform specific construction operations, violating the lane availability restrictions or other work restrictions during a specifically prohibited time period.

**NOTE:** The Contractor shall submit a written request to the Authority's Division Director, with copy to the Engineer, for permission to perform specific construction operations at specific locations and times, including a detailed explanation of why the work cannot be performed in conformance with the contract. Such requests must be received at the Division Office at least one full week before the date of the requested variance, and at least two full weeks should granting the waiver require making notice to the public regarding potential disruptions and delays.

If written authorization to work is granted by the Authority, the Contractor shall be strictly limited to those operations approved in the authorization. In making application for a waiver, the Contractor agrees that any waiver of restrictions granted by the Authority is exclusively for the Authority's benefit and purposes, and as such is subject to revocation without requirement for advance notice. Also, the disapproval of requests for waiver of contract requirements is not subject to administrative review or appeal under the contract.



**SCHEDULE AND SUSPENSION OF WORK**

**C. GENERAL CONDITIONS**

The Contract is to be completed on or before the specified completion date. If, for any reason, the Contractor fails to fulfill this obligation and requests an extension of time and the request is granted, the Authority, as a condition for extending the time of completion, shall retain the right to limit the Contractor's hours and/or days of work and/or impose conditions under which the work shall be performed in order that the traffic may not be unduly inconvenienced.

All the required liability and property damage insurance with the limits stated in this Proposal shall be effective and shall be continued in force throughout the life of this Contract including the stated periods of the suspension of the work.

The Contractor shall consider the foregoing requirement when preparing its "Schedule of Operations".

**ADDITIONAL INSURED PARTIES**

The following is a list of additional insured parties:

Adesta, an Allied Universal Company

**NON-REVENUE CONTRACTOR TRAVEL**

NYS Thruway has converted to Cashless Tolling, Non-revenue pass plates will no longer be furnished to the Contractor.

Contractors and Consultants must have a properly mounted E-Z Pass transponder and must submit their EZ-Pass information to the Thruway to avoid charges for contract related business on the Thruway. The Project Engineer will provide the form used to record and submit EZ Pass information. Initial information shall be submitted to the Project Engineer prior to the start of work on the project. The initial form and any changes shall be submitted 5 working days prior to intended travel.

Non-revenue travel will be provided within the limits of Interchange **16** to Interchange **17**. Travel originating or ending outside of these limits will be subject to toll charges for the entire trip.

The Contractor shall be responsible for any and all tolls charged to contractor owned vehicles with (or without) E-ZPass Transponders not registered with the Authority.

**OTHER CONTRACTS**

The Contractor will be required to coordinate work with other Contractors and NYSTA Maintenance Forces. The following contract will be let and may have work in progress during the duration of this contract:

| <b><u>CONTRACT NO.</u></b> | <b><u>DESCRIPTION</u></b>                             | <b><u>COMPLETION DATE</u></b> |
|----------------------------|---|-------------------------------|
| TANY 23-10IR / D214851     | Replacement of ITS Equipment in the New York Division | June 30, 2024                 |
| TANY 23-28 / D214951       | New York Division Pavement Safety Striping            | August 30, 2024               |
| TANY 23-7 / D214911        | New York Division On-Demand Repairs                   | December 31, 2024             |

The following contracts are anticipated to be let and may have work in progress during the duration of this contract:

**DESCRIPTION**

None

**ENGINEER'S OFFICE AND CONTRACTOR'S FIELD OFFICE**

The location of the Engineer's Office and Contractor's Field Office will be determined during the Pre-Construction Meeting. The site will be approved by the Engineer prior to placing the offices and the area shall be kept in a neat, clean condition at all times. The area shall not be used as a staging, storage, equipment or employee parking area.

**U-TURNS/CROSSOVERS**

The Contractor may be permitted to use official median openings for U-turns and crossovers with written authorization from Division Traffic Supervision. See list of Crossovers found elsewhere in the Proposal.

U-turns and crossovers shall not be permitted on interchange ramps. In addition, tractor trailer combinations are prohibited from U-turns at any location on the Thruway system. These vehicles must exit the Thruway system and re-enter for all direction changes. U-turns may be permitted within a maintenance facility, however, with prior approval from both Division Traffic Supervision and the Thruway Maintenance Supervisor 2 for that facility. All applicable traffic laws must be followed.

**SPOIL AREA**

There is no identified spoil area within the Thruway Authority's right-of-way for this contract. Therefore, the Contractor shall remove all surplus material and waste from Thruway Authority (Authority) property. The Contractor shall bid accordingly for this condition.

The Contractor shall provide the Authority a copy of all easements and/or access agreement letters received from landowner(s) of off-site disposal area(s) prior to disposal of any material. The easements and/or access agreement letters must include a statement by the Contractor and the landowner that the disposal of the material is in compliance with all applicable federal, state and local laws and regulations.

Should a mutually approved spoil use area within the Authority's right-of-way be identified for Contractor use after the project letting, a credit in the amount of 50% of the unclassified excavation unit bid price will be deducted for each cubic yard spoiled within the Authority right-of-way. If the contract does not contain an unclassified excavation item, the credit will be determined using either 50% of the item generating the spoil or 50% of the Division/Regional weighted average bid price for unclassified excavation, whichever is less. This credit may be waived, either wholly or in part, by the Division Director in writing if it is determined that permitting spoil on Authority right-of-way is in the best interest of the Authority (ie: slope flattening resulting in elimination of guide rail).

**SHOULDER MAINTENANCE**

During the course of the project, the Contractor may be required to repair shoulders that have deteriorated. The Contractor shall remove the deteriorated shoulder surface and place new asphalt shoulders. The Contractor shall be paid using the appropriate contract items for excavation and asphalt. The exact limits for this work shall be as directed by the Engineer.

**BAT SURVEY**

It is anticipated that four (4) bridges within Orange County may require Bridge Bat Survey documentation, to be performed by Authority Personnel, and prior to commencement of any bridge-related construction activities. The survey documentation will only be required if the proposed bridge-related construction activities cannot be completed during the inactive season (October 1st through March 31st). The four (4) bridges are as follows:

MP 49.78, BIN 5022229

MP 52.83, BIN 5514319

MP 55.94, BIN 5034919

MP 60.11, BIN 5514370

The Contractor shall submit a proposed work schedule to the Thruway Project Engineer that includes the four bridges listed above at least 30 days prior to the Contractor's anticipated start of work date. The lead time is necessary for the Thruway Project Engineer to coordinate with the NY Division Environmental Specialist (DES) to perform an assessment at the bridge locations. No bridge-related construction work can be performed at the bridge locations listed above until cleared to do so by the DES. The DES will advise the Thruway Project Engineer of any issues or concerns with the Contractor's proposed work schedule.

**OVERHEAD GANTRY****SIGNING**

Signs shall be installed within the project limits when any component of equipment will be operating above 14'-6" in elevation and within 100 linear feet of an overhead gantry. Overhead gantries may have electric powered wires and special equipment, therefore, vehicle and equipment operations must be planned and proposed equipment safety procedures included in a Project Safety and Health Plan.

As mentioned in the Thruway Addendum to the Standard Specifications (TA), specifically in **Section 107-05 SAFETY AND HEALTH REQUIREMENTS, O. Equipment Safety Procedures. 6. Work Operations. d.** Dump truck boxes may be raised only under the control of a spotter, unless the vehicle is in an area clearly marked to be free of overhead wires and safe for dumping.

Refer to Thruway Standard Sheet **TA 619-27** for additional information and signing requirements.

**OVERHEAD GANTRY****TRAFFIC SHIFT RESTRICTIONS**

The Contractor shall not shift traffic at any toll gantry such that vehicles are traveling between lanes or between lanes/shoulders when passing under the gantry centerline (treadle). Traffic shifts, for purposes of staging work, shall be done prior to or after the gantries, such that vehicles are traveling within a complete lane or shoulder when passing under the gantry centerline (treadle). All work zone traffic control shall be provided in accordance with the 619 Standard Specifications and the Thruway Addendum to the 619 Standard Specifications, the National Manual on Uniform Traffic Control Devices and NYS Supplement, any provisions contained within the contract documents, and as ordered by the Engineer.

**OVERHEAD GANTRY****PARKING RESTRICTIONS**

The Contractor shall not park any vehicle or construction equipment directly beneath overhead gantries, within a complete lane or between a lane/shoulder, unless it is required to perform project specific related work, as directed by the Engineer in Charge and after coordination with the Authority's Intelligent Transportation System Management unit.

**SPECIAL NOTE****UTILITIES**

The Contractor is advised that to the best knowledge of the Authority utilities exist within the project limits as follows:

| <b><u>MILEPOST</u></b> | <b><u>UTILITY</u></b>               | <b><u>BRIEF DESCRIPTION</u></b> |
|------------------------|-------------------------------------|---------------------------------|
| 47.59± to 60.1±        | ADESTA, an Allied Universal Company | Fiber Optic                     |

Authority utilities, including fiber optic facilities, are installed along the entire Thruway right-of-way and are not provided in this listing. Details of the fiber optic backbone and related fiber connections can be obtained through the NYS Thruway Utility Engineer at (518) 471-5020. Information regarding connections to Cell/Radio Towers can be obtained through Robert H. Kossowski at (518) 436-2785. All utility details for Authority facilities such as Toll Plazas and Barrier, Service Areas, Maintenance Areas, State Police Buildings, Headquarters and Division Buildings, etc., can be obtained through one of the following Authority Division Facilities Engineers:

|                   |                 |                |
|-------------------|-----------------|----------------|
| New York Division | Robert Bogert   | (845) 918-2525 |
| Albany Division   | Steven Dunham   | (518) 471-5378 |
| Syracuse Division | Kevin Post      | (315) 438-2315 |
| Buffalo Division  | Sean Carrington | (716) 635-6224 |

The information provided above reflects data retrieved from the Permits Plus system as well as hard copy files. More detailed information may be available, such as plans and as-builts, and may be reviewed as needed.

Additional utilities may also exist within the project. The Contractor shall use caution while working near these utilities to avoid damage to them during construction. Any damage to these utilities shall be repaired at the Contractor's expense and to the satisfaction of the utilities owner.

The Contractor shall contact **Dig Safely New York** by calling **811** or **800-962-7962** in accordance with Section 107-07 of the Standard Specifications before commencement of construction activities.

Prior to any work, the Contractor and the Engineer shall verify the exact location of the above listed utilities and any other utilities within the project limits.

**ADESTA, AN ALLIED UNIVERSAL COMPANY INDEMNIFICATION**

This project requires the Contractor to do work that may impact the Thruway Authority's fiber optic system.

The fiber optic system, comprised of features inclusive of telecommunications cables, lines, fibers, conduits, access manholes, pedestals, boxes and other fiber optic system components and devices, is operated and maintained by ADESTA, an Allied Universal Company.

The Contractor shall indemnify and hold harmless ADESTA, its officers, agents, employees and contractors from and against any and all injuries, claims, demands, judgments, liabilities or damages resulting from, or related to, the Contractor's negligence, gross negligence and/or willful misconduct in the performance of the work. The Contractor shall also indemnify and hold harmless ADESTA from claims by third parties having an agreement with ADESTA to use the fiber optic system. The Contractor shall include ADESTA as an additional insured party under the insurance requirements of this contract.

## New York Division Crossovers

12/31/18

### I-87

| <u>Milepost</u>                          | <u>Use Code(s)</u> | <u>Milepost</u>         | <u>Use Code(s)</u> |
|--|--------------------|-------------------------|--------------------|
| 30.1 (Exit 15 @ NJ State Line)           | 4                  | 52.78                   | 3, 7               |
| 30.1 (Exit 15 between SB D & NB A-Ramps) | 3                  | 55.39                   | 2**, 3             |
| 33.83                                    | 4                  | 58.21                   | 2, 3               |
| 36.00                                    | 1**, 3             | 59.63                   | 2, 3               |
| 38.84                                    | 2**, 3             | 60.53                   | 2, 3               |
| 41.22                                    | 2, 3               | 61.89                   | 2, 3               |
| 43.28                                    | 3, 7               | 64.58                   | 3, 7               |
| 45.69                                    | 3, 7               | 66.14                   | 3, 7               |
| 46.80                                    | 2, 3               | 69.04                   | 2                  |
| 49.21                                    | 2, 3               | 72.78                   | 1                  |
| 50.21                                    | 2, 3               | 75.61                   | 3                  |
| 51.30                                    | 2, 3               | 76.85 (Albany Division) | 7                  |

### GSP - Garden State Parkway

| <u>Milepost</u>      | <u>Use Code(s)</u> |
|----------------------|--------------------|
| 0.55                 | 2, 3               |
| 1.80                 | 2, 3               |
| 2.35 (NJ State Line) | 2, 3               |

**I-287 - Cross Westchester Expressway**

| <u>Milepost</u> | <u>Use Code(s)</u> |
|-----------------|--------------------|
| 10.4            | 4                  |

**I-95 - New England**

| <u>Milepost</u>          | <u>Use Code(s)</u> |
|--------------------------|--------------------|
| 3.3 (NYC Line)           | 3, 7               |
| 7.0 (New Rochelle Tolls) | 4                  |



## New York Division U-Turn/Crossovers

### USAGE RESTRICTION CODES

| <u>CODE</u> | <u>DESCRIPTION</u>   |
|-------------|--|
| <b>1</b>    | CARS AND PICKUP TRUCKS ONLY                                    |
| <b>2</b>    | VEHICLES OVER 10,000 LBS MUST U-TURN FROM<br>RIGHT SHOULDER    |
| <b>3</b>    | <u>NO USAGE</u> DURING COMMUTER/HIGH TRAFFIC<br>VOLUME PERIODS |
| <b>4</b>    | <b><u>NO USE ALLOWED/EMERGENCY ONLY</u></b>                    |
| <b>5</b>    | ALL VEHICLES MUST TURN FROM RIGHT SHOULDER                     |
| <b>6</b>    | OBSERVER MAY BE REQUIRED                                       |
| <b>7</b>    | VEHICLES MAY TURN FROM LEFT SHOULDER                           |

(\*\*) Notes Can Enter U-turn from Left Shoulder But **MUST** use Right shoulder for  
Acceleration

**SUPPLEMENTAL INFORMATION FOR BIDDERS**

Supplemental information is available to bidders. As indicated below, information is either available on the Thruway Authority's website with the contract plans and proposal or available in electronic format from the Thruway Authority upon request prior to or after the letting date.

The bidder's signature on this proposal certifies that they have made themselves aware of the availability of the information indicated below prior to the letting date.

| INFORMATION  | NOT<br>AVAILABLE | AVAILABLE<br>ON<br>THRUWAY<br>AUTHORITY<br>WEBSITE |
|--|------------------|--|
| Engineer Estimate Quantity Workups                                   |                  | X  |
| Utility Estimate Sheets with Names of Utility Officials              | X                |  |
| Earthwork Cross Section Sheets                                       | X                |  |
| Earthwork Sheets   | X                |  |
| Drainage Estimate Sheets   | X                |  |
| Sign Face Layouts  | X                |  |
| Subsurface Exploration Logs  | X                |  |
| Rock Core Evaluation Logs and Photographs                            | X                |  |
| Compression Test Data from Rock Samples                              | X                |  |
| Pavement Core Logs and Photographs                                   | X                |  |
| Logs Showing Laboratory Description of Soil Samples                  | X                |  |
| Laboratory Test Data from Soil Samples                               | X                |  |
| Rock Outcrop Maps  | X                |  |
| Record Plans   |                  | X  |
| Applicable Asbestos Blanket Variances                                | X                |  |
| Storm Water Pollution Prevention Plan                                | X                |  |
| Shop Drawings  | X                |  |
| CADD Files of Contract Plans<br>(Unofficial - Not signed or stamped) | X                |  |
| Asbestos Report  | X                |  |
| Other  | X                |  |

Hard copies of the supplemental information indicated above are not available. Contractors shall be responsible for their own hard copies of this information at no additional cost to the Authority.

**REVISIONS TO  
NYSDOT  
STANDARD  
SPECIFICATIONS**

## **NEW YORK STATE THRUWAY AUTHORITY ADDENDUM TO THE STANDARD SPECIFICATIONS**

The Standard Specifications published by the New York State Department of Transportation shall form a part of the agreement. The dated edition that applies to this contract is provided on the front cover of the Proposal. All work contemplated under this contract is to be covered by, and be in conformance with, the Standard Specifications as modified by The New York State Thruway Authority Addendum (TA) to the Standard Specification Books.

The officially adopted Thruway Authority Addendum (TA) to the NYSDOT Standard Specification Books is available on the Thruway Authority website at:

<http://www.thruway.ny.gov/business/addendum/index.html>

The most recent version of the TA, prior to the project Letting Date, shall apply to this agreement.

All special notes bound in this proposal shall be incorporated. If a conflict exists between the special specifications and/or provisions set forth in this proposal and the specifications and/or provisions set forth in the New York State Department of Transportation's Standard Specifications, those in the Proposal shall govern.

# **SPECIAL SPECIFICATIONS**

**SPECIAL NOTE**  
**SPECIAL SPECIFICATION PAY ITEM NUMBERS**

The Contractor's attention is directed to the special specification pay item formats used in this contract. Special specification pay items may be presented in two (2) different formats:

Format 1: Pay items for a special specification will have three (3) digits to the left of the decimal point and up to eight (8) digits to the right of the decimal. Spaces may appear in the third to sixth places after the decimal. The 7<sup>th</sup> and 8<sup>th</sup> digits to the right of the decimal will represent the origin of the specification.

Format 2: Pay items for a special specification will have three (3) digits to the left of the decimal point and up to eight (8) digits to the right of the decimal. Dashes may appear in the third to sixth places after the decimal. The 7<sup>th</sup> and 8<sup>th</sup> digits to the right of the decimal will represent the origin of the specification.

Where items in this contract appear in multiple formats, the formats shall be equated to each other as illustrated below:

**FORMAT 1**  
 XXX.XX XX  
 XXX.XXXX XX  
 XXX.XXXXXXX

**FORMAT 2**  
 XXX.XX-----XX  
 XXX.XXXX---XX  
 XXX.XXXXXXXX

**ITEM 203.2400025 – SHOULDER BACKUP MATERIAL****1. DESCRIPTION:**

- 1.01 This work shall consist of furnishing, placing, grading, compacting and trimming shoulder backup material in conformance with payment lines, grades, thicknesses and typical sections specified in the contract documents or as directed by the Engineer.

**2. MATERIALS:**

- 2.01 **General.** Subsection 304-2 shall apply except as indicated below. Wherever the term “subbase course” is used, substitute “shoulder backup material.”

Material does not need to be stockpiled. The Authority may sample and test for plasticity, soundness and gradation at its discretion. Material shall be uncontaminated and free of glass.

Unless noted otherwise in the contract documents, the Contractor may choose the type(s) of material from the list given below. Intermixing types will be subject to the approval of the Engineer.

Material deemed inappropriate or impractical by the Engineer for placing, grading, compacting and trimming shall not be used.

- A. **Type A (Crusher run, crushed gravel, or crushed stone).** Material shall consist of well-graded crusher run from a stone quarry or gravel source, or crushed Portland cement concrete. The material shall not have particles greater than 1 inch in maximum dimension. Material will be accepted on the basis of a Magnesium Sulfate Soundness Loss of 20 percent or less after four cycles.
- B. **Type B (Subbase Course, Type 2).** Material shall meet the requirements of Subbase Course, Type 2. The Engineer will examine each proposed source of material for compliance with the specification requirements.
- C. **Type C (Subbase Course, Type 4).** Material shall meet the requirements of Subbase Course, Type 4, except the material furnished shall consist of sand and gravel or a blend of sand, gravel and stone. The Engineer will examine each proposed source of material for compliance with the specification requirements.
- D. **Type D (Recycled Asphalt Concrete).** Material shall consist of recycled asphalt concrete pavement produced on the contract or from other sources approved by the Engineer. The recycled asphalt concrete pavement shall not have particles greater than 1½ inches in maximum dimension.
- E. **Type E (Select Structural or Granular Fill).** Material shall conform to the soundness, gradation and pH requirements for Select Structural Fill or Select Granular Fill, except the top size shall not exceed that for Type C above.

**3. CONSTRUCTION DETAILS:**

- 3.01 The Contractor’s equipment, procedures and compaction method shall be approved by the Engineer. The material shall be placed on the grade so as to minimize segregation. Uncontrolled spreading resulting in segregation will not be permitted. The maximum loose lift thickness prior to compaction shall be 6 inches. After compaction, the finished surface shall not extend above, or be more than 0.4 inches below, the edge of shoulder. The maximum deviation from the specified depth shall otherwise not exceed 1½ inches. All surfaces shall be graded to drain.

**ITEM 203.24000025 – SHOULDER BACKUP MATERIAL**

- 3.02 The final grade of the material shall be in reasonable close conformity to the lines and grades shown in the contract documents, or to those directed by the Engineer. Additional material shall be placed to fill deficiencies and excess material (trimmings) shall be removed. Trimmings may be incorporated into shoulder backup work at other locations along the project provided the material remains in conformance with the gradation requirement for the selected option. If trimmings cannot be incorporated into shoulder backup work, the material shall become the Contractor's property for disposal or other use in the contract as approved by the Engineer.

**4. METHOD OF MEASUREMENT:**

- 4.01 The quantity will be measured for payment as the number of tons of shoulder backup material placed, graded, compacted, and trimmed along the edge of shoulder in accordance with the contract documents or as directed by the Engineer.
- 4.02 A delivery ticket indicating the total quantity in tons being delivered must accompany each delivery vehicle supplying shoulder backup material. When truck scales are not available within reasonable distance of the material source, as determined by the Engineer, the loose volume of shoulder backup material will be computed using dump truck body measurements and conversion factors. The trucks used for material delivery shall be approved by the Engineer. The trucks shall be uniformly loaded to the satisfaction of the Engineer.
- 4.03 Additional material used to fill deficiencies will be measured for payment. Trimmings not incorporated into shoulder backup work at other locations along the project will not be measured for payment under this item. The Engineer will adjust the measured quantity accordingly.
- 4.04 The conversion factor will be 0.05 tons per cubic foot, loose measure, unless otherwise noted in the contract documents.

**5. BASIS OF PAYMENT:**

- 5.01 The unit price bid per ton shall include the cost of all labor, equipment and material necessary to satisfactorily complete the work.



|                          |   |
|--------------------------|---|
| <b>ITEM 402.90710118</b> | <b>WATERPROOFING BRIDGE DECK OVERLAY F1, 70 SERIES<br/>COMPACTION</b> |
| <b>ITEM 402.90720118</b> | <b>WATERPROOFING BRIDGE DECK OVERLAY F2, 70 SERIES<br/>COMPACTION</b> |
| <b>ITEM 402.90730118</b> | <b>WATERPROOFING BRIDGE DECK OVERLAY F3, 70 SERIES<br/>COMPACTION</b> |

## DESCRIPTION

This work shall consist of the formulation and placement of a Waterproofing Bridge Deck Overlay (WBDO) asphalt mixture. The formulation of the mixture shall use the mixture design procedure detailed in the current Materials Method 5.16, “Hot Mix Asphalt Mixture Design and Mixture Verification Procedures” and this specification. The Contractor shall be responsible for the compaction of this mixture to a specified density requirement.

## MATERIALS

The materials, composition, and production of the Waterproofing Bridge Deck Overlay mixture shall meet the requirements specified in §401-2, *Materials*, except as noted below:

- 1. Aggregate.** The aggregate gradation used shall meet the requirements in Table 1, *WBDO Design Gradations*.

**Table 1 – WBDO Design Gradations**

| Standard Sieves<br>(inches) | General Limits - % Passing |         | <sup>1</sup> Production<br>Tolerance |
|-----------------------------|----------------------------|---------|--------------------------------------|
|                             | Maximum                    | Minimum |                                      |
| 3/8                         | -                          | 100     | -                                    |
| 1/4                         | 100                        | 85      | ± 6                                  |
| #4                          | 85                         | 60      | ± 6                                  |
| # 8                         | 67                         | 37      | ± 5                                  |
| #16                         | 45                         | 25      | ± 4                                  |
| #30                         | 30                         | 17      | ± 4                                  |
| # 50                        | 20                         | 10      | ± 3                                  |
| #100                        | 16                         | 5       | ± 2                                  |
| #200                        | 8                          | 2       | ± 2                                  |

1. Production tolerance limits shall not exceed the design general limits.
- 2. Reclaimed Asphalt Pavement (RAP).** The use of RAP is not allowed.
- 3. Performance Graded Binder (PG Binder).** The Contractor may select one of the two options to produce WBDO.
  - a. Option 1 -** A PG 76E-28 shall be used for the design and production of the WBDO asphalt mixture. The performance graded (PG) binder shall meet the requirements of AASHTO M 332, *Standard Specification for Performance Graded Asphalt Binder using Multiple Stress Creep Recovery (MSCR)*. The binder grade shall meet the elastomeric response %R<sub>3.2</sub> of 55 or more when tested at 76°C. The PG binder shall be modified with styrene-butadiene (SB), styrene-butadiene-styrene (SBS), styrene-butadiene-rubber (SBR), or terminal blend crumb rubber modified asphalt formulations. The PG binder shall be storage-stable and homogeneous. When terminal blend crumb rubber modified (CRM) binder is used, the initial crumb rubber particles used for modifying the binder must be finer than the #50

|                          |   |
|--------------------------|---|
| <b>ITEM 402.90710118</b> | <b><u>WATERPROOFING BRIDGE DECK OVERLAY F1, 70 SERIES</u></b><br><b><u>COMPACTION</u></b> |
| <b>ITEM 402.90720118</b> | <b><u>WATERPROOFING BRIDGE DECK OVERLAY F2, 70 SERIES</u></b><br><b><u>COMPACTION</u></b> |
| <b>ITEM 402.90730118</b> | <b><u>WATERPROOFING BRIDGE DECK OVERLAY F3, 70 SERIES</u></b><br><b><u>COMPACTION</u></b> |

sieve and the rubber particles in the PG binder retained on the 250-micron sieve shall be no more than 3% by weight of PG binder. The minimum PG binder content shall be 7.25% by weight of the total mixture.

- b. **Option 2** - Contractor may use a concentrated thermoplastic polymeric asphalt modifier, which is added as a dry ingredient during the production of WBDO. When this process is selected, a minimum of PG 64S-22 shall be used regardless of the project location. The minimum virgin PG Binder content for this process shall be 5% and the minimum thermoplastic polymeric modifier shall be 2.25%, both by weight of the total mixture. The manufacturer of the thermoplastic polymeric asphalt modifier shall provide certification indicating the MSCR grade of the PG binder, combined with the thermoplastic polymeric asphalt modifier meets PG 76E-28 and the elastic response %R<sub>3.2</sub> of 55 or more when tested at 76°C.

In addition, the PG Binder shall also meet the following requirements:

**Downstate.** The use of polyphosphoric acid (PPA) modified PG binder is prohibited for mixtures containing limestone, limestone as an aggregate blend component, or limestone as a constituent in crushed gravel aggregate. This prohibition also applies to the use of PPA as a cross-linking agent for polymer modification. “Downstate” is defined as the counties of Orange, Rockland, Putnam, Westchester, Nassau, Suffolk, and the City of New York.

**Upstate.** The use of PPA modified PG binder properties is prohibited. This prohibition also applies to the use of PPA as a cross-linking agent for polymer modification. “Upstate” is defined as all other counties not listed in “Downstate”.

4. **Mixture Design.** A WBDO mixture design shall be submitted to the Regional Materials Engineer (RME) at least 30 days prior to the placement of the mixture. The design shall satisfy the design criteria outlined in Table 2, *WBDO Mixture Design Criteria*, and this specification. The Contractor shall submit one quart of the PG binder used for the mixture design and the certified test results from the PG binder supplier with the submission of the mixture design for verification purposes. Placement of this mixture will not begin until the design has been reviewed and accepted by the RME.

|                          |   |
|--------------------------|---|
| <b>ITEM 402.90710118</b> | <b>WATERPROOFING BRIDGE DECK OVERLAY F1, 70 SERIES<br/>COMPACTION</b> |
| <b>ITEM 402.90720118</b> | <b>WATERPROOFING BRIDGE DECK OVERLAY F2, 70 SERIES<br/>COMPACTION</b> |
| <b>ITEM 402.90730118</b> | <b>WATERPROOFING BRIDGE DECK OVERLAY F3, 70 SERIES<br/>COMPACTION</b> |

Table 2 – WBDO Mixture Design Criteria

| Design Criteria                                       | Specification |
|---|---------------|
| % Air Voids at N <sub>design</sub> , maximum          | 1.5 ± 0.5     |
| % Voids in the Mineral Aggregate, minimum             | 15.5          |
| <sup>1</sup> Number of Gyration @ N <sub>design</sub> | 50            |
| <sup>2</sup> Flexural Beam Fatigue, minimum cycles    | 250,000       |
| <sup>3</sup> Rut Test, maximum, mm                    | 3             |

1. Aggregate Consensus Properties must meet the requirements based on project ESAL level as outlined in Materials Method 5.16.
2. Flexural Beam Fatigue, AASHTO T321 at 750 microstrains, 10 Hz, average of two samples with 4.0% ± 1.0% air voids.
3. Asphalt Pavement Analyzer (APA), T 340, @ 147°F (64°C).

5. **Joint Adhesive.** The joint adhesive used for all edge and joint sealing application shall be from the Department's Approved List, *Joint Adhesive*. When the Thermoplastic Polymeric asphalt modifier is utilized in the WBDO, a special sealant may be required as recommended by the manufacturer of this modifier.
6. **Tack Coat.** The Contractor shall use Straight Tack Coat, Materials Item 702-3002 or 702-4002 and applied in accordance with Section 407 of the Standard Specifications. A neat PG 64S-22 binder may be substituted in lieu of straight tack coat. When the Thermoplastic Polymeric asphalt modifier is utilized in the production of WBDO, a tack coat recommended by the manufacturer shall be used.

## CONSTRUCTION DETAILS

The provisions of §401-3 and §402-3, **Construction Details**, shall apply except as modified below:

1. **Weather and Seasonal Limitations.** The bridge deck surface temperature shall be a minimum of 50° F and rising at the time of WBDO placement. The placement of this mixture must be completed during the period of May 1 and September 30 for "Upstate" projects and April 15 and October 31 for "Downstate" projects. Warranty provision does not apply to this item.
2. **Quality Control.** Quality Control (QC) sampling and testing at the plant shall be performed on any portion of the lot as determined by the Regional Materials Engineer (RME). The sample point(s) shall be determined by the RME. Exclusion of the first and last 150-ton portion of the lot from testing does not apply. A Quality Control Technician (QCT) must be present during production regardless of the lot size.
3. **Production Temperature.** The mixture shall be produced within the limits recommended by the PG Binder or Thermoplastic Polymeric supplier.
4. **Conditioning of Bridge Deck Surface.** Prior to placement of WBDO, the surface shall be

|                          |   |
|--------------------------|---|
| <b>ITEM 402.90710118</b> | <b>WATERPROOFING BRIDGE DECK OVERLAY F1, 70 SERIES<br/>COMPACTION</b> |
| <b>ITEM 402.90720118</b> | <b>WATERPROOFING BRIDGE DECK OVERLAY F2, 70 SERIES<br/>COMPACTION</b> |
| <b>ITEM 402.90730118</b> | <b>WATERPROOFING BRIDGE DECK OVERLAY F3, 70 SERIES<br/>COMPACTION</b> |

thoroughly cleaned and must be free of any dust prior to tack coat application. When a PCC bridge deck requires repairs, they must be performed in a timely manner such that the patches are dry (no more than 3% moisture content) prior to overlay.

5. **Application of Joint Adhesive Sealant.** The joint adhesive sealant shall be applied in accordance with Section 418 before and after the placement of the WBDO except as modified below:
  - a. **Prior to Overlay.** The Contractor shall apply 1/8-inch thick, uniform coating of the adhesive to all vertical faces of the bridge deck which will be in contact with the WBDO such as curbs, parapet walls, headers, drains, scuppers, and bridge joints in order to reduce moisture infiltration around the WBDO. The joint adhesive sealant shall also be applied on the deck surface adjacent to the vertical faces 4 to 6 inches wide and 1/8-inch thick.
  - b. **Longitudinal Joints.** When placement of WBDO is performed in stages, the joint adhesive sealant shall be applied to the vertical face of all longitudinal joints prior to placement of the adjacent lane. The joint adhesive sealant shall be applied when the vertical face of the joint has cooled below 150°F.
  - c. **After the Overlay.** Once the overlay is placed and compacted, the Contractor shall apply 1/8-inch thick uniform coating of joint adhesive sealant along the perimeter of the bridge deck at the interface of the overlay with all vertical faces. The width of the joint adhesive sealant at these interfaces shall be at least 2 inches vertical and 2 inches horizontal. The joint adhesive sealant shall also be applied on the horizontal surface of every longitudinal and transverse joint with a maximum of 2-inch wide band.

When the Thermoplastic Polymeric asphalt modifier is utilized in the WBDO, a special adhesive may be required. In that case, the adhesive shall be applied as mentioned above and in accordance with the guidelines recommended by the supplier of the Thermoplastic Polymeric asphalt modifier.

6. **Application of Tack Coat.** Once the bridge deck is thoroughly dried and cleaned, the tack coat shall be applied in accordance with Section 407 at a uniform rate of 0.1 to 0.15 gal/yd<sup>2</sup>. When PG binder is used, the application shall be 0.06 to 0.09 gal/yd<sup>2</sup>. When applying tack coat on a milled surface, the upper limit of the application rate shall be used. When practical, the tack coat shall be applied the day before or as early as possible on the day of paving to maximize drying time. The surface coverage shall be at least 95%.
7. **Delivery and Compaction Temperature.** The mixture shall be delivered to the project site at a temperature not to exceed 340°F at the point of discharge of the haul vehicle, unless a higher temperature is approved by the Regional Materials Engineer. The breakdown and intermediate compaction shall be completed before the mixture temperature falls below 250°F.
8. **Rollers.** All rollers shall be double-drum steel rollers operated in static mode. Oscillatory rollers are allowed when used in oscillation mode. Use of a pneumatic rubber-tired roller is not allowed.
9. **Compaction.** The provisions of §402-3.07C “70 Series Compaction Method” shall apply except as modified below:

|                          |   |
|--------------------------|---|
| <b>ITEM 402.90710118</b> | <b>WATERPROOFING BRIDGE DECK OVERLAY F1, 70 SERIES<br/>COMPACTION</b> |
| <b>ITEM 402.90720118</b> | <b>WATERPROOFING BRIDGE DECK OVERLAY F2, 70 SERIES<br/>COMPACTION</b> |
| <b>ITEM 402.90730118</b> | <b>WATERPROOFING BRIDGE DECK OVERLAY F3, 70 SERIES<br/>COMPACTION</b> |

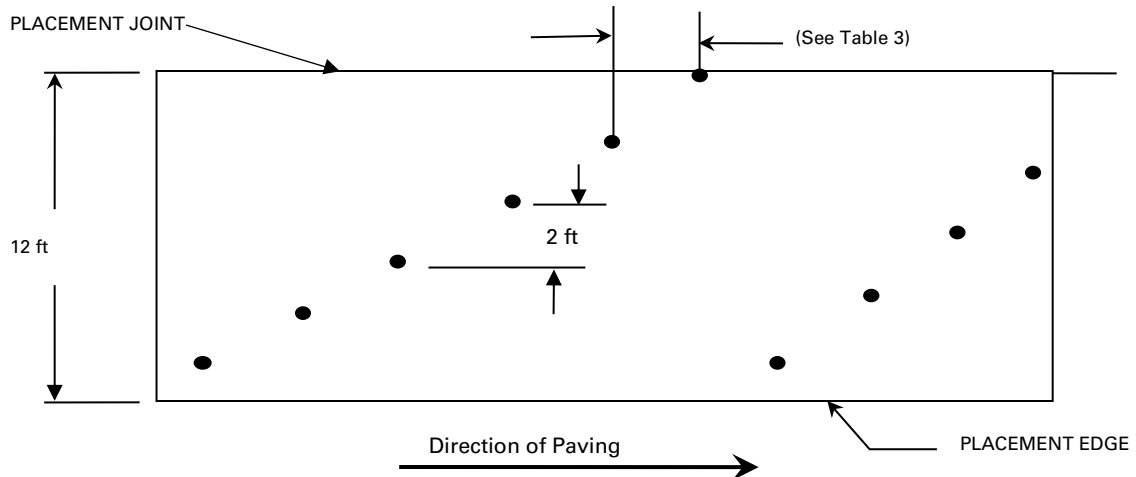
a. **Project Target Density (PTD).** Prior to paving operations, the Regional Materials Engineer (RME) will calculate and submit the PTD to the Engineer. The PTD will be calculated by taking 98% of the Mixtures Maximum Theoretical Density (MMTD) from the mix design and applying a known correction factor for the density gauge(s) to be used on the project. If a correction factor is not available, a correction factor of zero shall be used. Only the density gauge(s) correlated for this project will be allowed to be used during the mixture placement. Once the production begins, the RME will verify the PTD by using the MMTD of the WBDO mixture being produced.

b. **Density Gauge Testing Frequency.** The Engineer will determine the length of the bridge deck and will lay out the testing locations as outlined in Table 3, *Density Gauge Testing Frequency*, such that the distance between the test locations increases with increasing bridge deck length. The first transverse offset will be 1 foot from the right edge of deck. Further transverse offsets will be 2 feet greater than the previous offset. None of the areas, including transverse or longitudinal joints shall be excluded from density testing. When the transverse offsets have reached the limits of the paving width, the process of locating the transverse offset shall be repeated.

**Table 3 - Density Gauge Testing Frequency**

| <b>Bridge Deck Length (ft)</b> | <b>Minimum # of Tests</b> | <b>Maximum Distance Between Tests</b> |
|--------------------------------|---------------------------|---------------------------------------|
| 0 to 100 feet                  | 10                        | 10 feet                               |
| 151 to 500 feet                | 15                        | 20 feet                               |
| 501 to 1000 feet               | 20                        | 50 feet                               |
| More than 1000 feet            | 25                        | 100 feet                              |

Example: A lane width of 12 feet is being placed on a bridge deck that is 100 feet long. The first longitudinal test location is at 10 feet from the start of paving. Using the above process, the locations for density gauge testing would be located as shown below.



10. **Density Requirements.** The bridge deck and all the joints shall be compacted sufficiently to achieve the Project Target Density (PTD) at each test location as determined by the density

|                          |   |
|--------------------------|---|
| <b>ITEM 402.90710118</b> | <b>WATERPROOFING BRIDGE DECK OVERLAY F1, 70 SERIES<br/>COMPACTION</b> |
| <b>ITEM 402.90720118</b> | <b>WATERPROOFING BRIDGE DECK OVERLAY F2, 70 SERIES<br/>COMPACTION</b> |
| <b>ITEM 402.90730118</b> | <b>WATERPROOFING BRIDGE DECK OVERLAY F3, 70 SERIES<br/>COMPACTION</b> |

gauge. If the density at two consecutive test locations is below the PTD, routine paving shall be stopped. The RME will verify the PTD as described earlier by using the produced mixture's maximum theoretical density. Routine paving shall only resume when either a PTD has been verified, in which case an increased compaction effort will be necessary, or the newly established PTD shall be used.

11. **Opening to Traffic.** The lanes shall be opened to traffic only when the WBDO pavement temperature is 140°F or below. The Engineer may allow traffic a minimum of one hour after compaction has been completed.

#### **METHOD OF MEASUREMENT**

The provisions of §401-4 and §402-4, *Method of Measurement*, shall apply except as follows:

“The plant production Quality Adjustment Factors shall not apply.”

#### **BASIS OF PAYMENT**

The provisions of §402-5, *Basis of Payment*, shall apply except as follows:

“The unit bid price will also include all material and labor costs associated with the placement of WBDO including joint adhesive, and tack coat. Repair and cleaning of the deck surface shall be paid under separate items.”

Payment will be made under:

| <b>Item No.</b> | <b>Item</b>  | <b>Pay Unit</b> |
|-----------------|--|-----------------|
| 402.90710118    | Waterproofing Bridge Deck Overlay F1,70 Series Compaction  | Ton             |
| 402.90720118    | Waterproofing Bridge Deck Overlay F2, 70 Series Compaction | Ton             |
| 402.90730118    | Waterproofing Bridge Deck Overlay F3, 70 Series Compaction | Ton             |

**ITEM 407.01040009 NON-TRACKING TACK COAT****DESCRIPTION**

This work shall consist of preparing and treating Portland cement concrete or asphalt surfaces with a non-tracking tack coat in accordance with the Contract documents or as directed by the Engineer.

**MATERIALS**

Non-tracking tack coat shall be agitated or circulated to ensure a homogenous tack coat prior to sampling or application of material. The consistency of the non-tracking tack coat shall be appropriate for pumping and uniform application. Non-tracking tack coat shall not be diluted with water and must meet the physical requirements of the following table:

| <b>NON-TRACKING TACK COAT</b>                                      |                    |               |
|--|--------------------|---------------|
| <b>Test Property</b>   | <b>Test Method</b> | <b>Result</b> |
| Residue by Distillation,   | AASHTO T59         | 50% minimum   |
| Oil Distillate, Volume of Total Emulsion                           |                    | 2% maximum    |
| Penetration on Residue from Distillation, @77°F, 100 g, 5s, 0.1 mm | AASHTO T49         | 40 maximum    |
| Softening Point on Residue from Distillation                       | AASHOT T53         | 140°F minimum |

Use an approved non-tracking tack coat or approved equivalent as determined by the Director of Materials Bureau.

| <b>Approved Products</b> | <b>Supplier</b>                   | <b>Location</b> |
|--------------------------|-----------------------------------|-----------------|
| EM-50-TT                 | Seaboard Asphalt Products Company | Baltimore, MD   |
| CNTT                     | Midland Asphalt Materials Inc.    | Woodland, PA    |
| SK-TT                    | Suit-Kote Corporation             | Cortland, NY    |
| Non-Tracking Tack        | Vestal Asphalt Inc.               | Vestal, NY      |
| EE-NTT                   | Empire Emulsions                  | Chester, NY     |
| NTT                      | Peckham Materials Corporation     | New Windsor, NY |

Other products must be submitted to the Materials Bureau for evaluation.

**CONSTRUCTION DETAILS**

The provisions of §407-3, Construction Details, shall apply except as modified herein:

Required spray nozzle size, distributor and nozzle settings per manufactures written recommendations.

The application rate shall be as determined in Table 407-1 *Tack Coat Application Rates*. These are recommended application rates for tack coat on various surface types and may be modified by the Engineer.

| <b>TABLE 407-1 – TACK COAT APPLICATION RATES</b>                  |  |
|---|--|
| <b>Surface Type</b>   | <b>Application Rate (gal/yd<sup>2</sup>)</b> |
| New Asphalt Pavement  | 0.04-0.05                                    |
| Milled Surfaces and Existing Asphalt Pavement                     | 0.06-0.07                                    |
| Portland Cement Concrete Pavement                                 | 0.06-0.07                                    |
| Vertical Surfaces (curbs, drainage structures, and appurtenances) | 0.07-0.08                                    |

**ITEM 407.010400XX NON-TRACKING TACK COAT**

The application is considered satisfactory when the material is applied uniformly with no visible evidence of streaking or ridging.

**METHOD OF MEASUREMENT**

The quantity to be paid for will be to the nearest whole gallon of Trackless Tack Coat asphalt emulsion for tack coat measured at 60°F. The following formula will be used to calculate material quantity at 60°F:

$$\text{Volume}_{@60^{\circ}\text{F}} = \text{Volume}_D \times [1 - (\Delta T \times 0.00025)]$$

$$\Delta T = \text{Delivered Temperature } (^{\circ}\text{F}) - 60$$

$$\text{Volume}_D = \text{Quantity Delivered (gal)}$$

**BASIS OF PAYMENT**

The unit price bid per gallon for tack coat shall include the cost of furnishing all labor, materials and equipment necessary to complete the work.

The Regional Materials Engineer will evaluate material represented by failing samples. If the Engineer elects to leave the material in place, the Contractor shall receive a pay reduction of 75% of the tack bid price, for the pavement section represented by the failing sample.

Payment will be made under:

| ITEM NO.     | ITEM                   | PAY UNIT |
|--------------|------------------------|----------|
| 407.01040009 | Non-Tracking Tack Coat | Gallon   |



**ITEM 567.94000018 ASPHALTIC PLUG JOINTS FOR BRIDGES****DESCRIPTION**

Furnish and install Asphaltic Plug Joints for Bridges (APJ) into prepared joint recesses in accordance with the contract documents.

**MATERIALS**

Use an asphaltic plug bridge joint system appearing on the Department's Approved List of Materials and Equipment. All Materials shall meet the requirements of section 705-18 of the Standard Specifications.

The joint system will be comprised of the following components: a mixture of thermoplastic polymeric- modified asphalt, select aggregates, steel plate, locating pins (optional) and a backer rod. The joint systems shall be capable of providing up to  $\pm 1$  inch of movement while maintaining a continuous load bearing surface.

The aggregate will be double-washed, dried, and delivered to site in pre-weighed, labeled packages. The aggregates type and size will be identified in the Materials Details of the manufacturer.

The backer rod, used to control the depth of the binder material in the expansion gap shall be a closed cell foam expansion joint filler, compatible with the polymer modified bituminous binder and the elevated application temperature of the binder. The size of the backer rod shall be in accordance with the manufacturer's recommendation for the existing expansion gap width and the anticipated expansion and contraction at each joint.

The bridging plates shall be composed of A36/A36M mild steel and will have the following minimum dimensions: 3 feet long in the direction of the joint, 8 inches in width, and  $\frac{1}{4}$  inch thick. When locating pins are required by the Materials Details, the bridging plate shall have pre-drilled holes at 12 inches on center.

A NYSDOT approved sealing material shall be used for sealing the expansion gap at curbs, parapets, and sidewalks.

**CONSTRUCTION PROCEDURES**

Install the asphaltic plug bridge joint system in accordance with the approved Materials Details for that system.

The joint opening will be prepared for the installation of the asphaltic plug bridge joint system to the satisfaction of the Engineer. All surfaces to come in contact with the joint system shall be abrasive blast cleaned.

Arrange for the asphaltic plug bridge joint system manufacturer to have a competent technical representative at the job site during all phases of preparation and installation of the system. The representative shall advise both the Engineer and the Contractor regarding proper installation procedures of their system. The representative may be released at the EIC's discretion after the initial installation.

This system should not be installed if the ambient temperature is expected to be below 40° F at any time during the installation. All receiving surfaces must be completely dry, air blasted and free from any foreign objects prior to any material application. The expansion gap at curbs, parapets, and sidewalks shall be sealed where shown on the plans.

After the joint system has been installed and exposed to normal daily vehicular traffic for a minimum of five (5) days, a Watertight Integrity Test as per 567.3.01H of the Standard Specifications shall be performed. Repairs made to the joint system for the successful completion of the Watertight Integrity Test shall be done at no cost to the State.

**ITEM 567.94000018 ASPHALTIC PLUG JOINTS FOR BRIDGES**

Repairs to the joint recess necessitated by the Contractor's operation shall be completed at no additional cost to the State. Repairs to the joint recess necessitated by deterioration of the concrete not attributable to the Contractor's operation will be eligible for payment. Note: Maximum joint width is 24 inches, concrete repairs needed to meet the opening size with other materials may warrant additional payment.

The manufacturer's representative shall provide written certification to the Engineer that the asphaltic plug bridge joint system was installed in accordance with the manufacturer's requirements.

For situations outside the system limits, contact the Materials Bureau for approval.

**METHOD OF MEASUREMENT**

Measurement for payment purposes shall be taken as the number of cubic feet of sealed joint system measured horizontally and vertically along the centerline of the completed joint system between the outer limits indicated on the Contract documents.

**BASIS OF PAYMENT**

The unit price bid per 0.1 cubic foot shall include all labor, materials, and equipment necessary to complete the work. This includes any required overlay, sidewalk and curbs work removal

**ITEM 580.51030525 - FULL DEPTH REMOVAL OF STRUCTURAL SLAB AND REPLACEMENT WITH CLASS D CONCRETE**

**1. DESCRIPTION:**

- 1.01 The work shall consist of the full depth removal and disposal of unsound concrete from the existing structural slab and its replacement with Portland Cement Concrete, Class D, as indicated on the contract plans or where ordered by the Engineer.
- 1.02 Materials removed as part of this work shall be transported from the work site and disposed of by the Contractor, unless otherwise indicated on the contract plans, or ordered by the Engineer.

**2. MATERIALS:**

- 2.01 All the provisions of Subsection 555-2 Materials shall apply.
- 2.02 The gradation requirement for the mixture shall be as indicated in Table 501-2, Coarse Aggregate Gradations.

**3. CONSTRUCTION DETAILS:**

- 3.01 The provisions of Subsection 555-3 Construction Details shall apply.
- 3.02 Before starting work on this item, the Contractor shall submit to the Engineer for approval, a plan showing his proposed method, equipment and sequence for the removal work. No blasting or dynamiting will be permitted. The requirements of §580-3 of the Standard Specifications shall apply. The Contractor shall provide adequate protection, approved by the Engineer, at the bridge site to completely preclude any possibility of material dropping from the bridge onto highways, residences, railroads, rivers or any other objects below.
- 3.03 **Repair Determinations:** All repair locations will be determined by the Engineer prior to commencement of the removals. The Engineer shall be allotted one working day per span or portion thereof being worked on for his inspection. The Engineer shall sound the area to be repaired by examining the top and bottom of the deck visually and then by chain drag. Areas then determined to be unsound, shall be clearly marked.
- 3.04 **Removal of Unsound Concrete:** The existing concrete shall be sawcut to a minimum depth of 1 inch, unless otherwise noted on the contract plans, to obtain a straight (keyed) joint between the existing concrete and the new material. Special care shall be taken to insure that reinforcing steel to remain is not damaged by the saw blade. All unsound concrete shall be removed to a 6 on 1 sloped sound surface as determined by the Engineer. Care shall be taken while removing the unsound concrete so as not to damage materials that are to remain in place such as reinforcing steel and shear connectors. Material which is damaged shall be repaired or replaced in a manner satisfactory to the Engineer at the expense of the Contractor. Exposed reinforcement remaining in place shall be cleaned in accordance with the requirements of Subsection 556-3.01 of the Standard Specifications. Exposed shear connectors that remain in place shall be cleaned in a manner satisfactory to the Engineer. Upon completion of unsound concrete removal, the sound concrete surfaces shall be air-blown or vacuum cleaned. Air-blowing may be used on vertical or overhead surfaces. Vacuum cleaning will be required for all other surfaces.

**ITEM 580.51030525 - FULL DEPTH REMOVAL OF STRUCTURAL SLAB AND REPLACEMENT WITH CLASS D CONCRETE**

**3. CONSTRUCTION DETAILS:** (cont'd)

3.04 (cont'd)

For any structural concrete removal item, where a hammer size limitation is specified on the plans or in the specification, the Engineer may order the Contractor to use a lighter hammer than that specified, if, in his opinion, the hammer being used is destroying concrete that should remain. A hammer heavier than that specified may be used if written permission is secured from the Engineer.

Existing reinforcing shall not be removed unless otherwise indicated in the plans or proposal, or as directed by the Engineer. Replacement reinforcement shall be as ordered by the Engineer and be of like size and galvanized.

3.05 **Preparation & Placement:** Immediately prior to the placement of new concrete, existing concrete surfaces shall be abraded, cleaned and made saturated surface dry as per the Contract Plans.

3.06 **Curing:** Apply an approved spray curing compound, immediately after the concrete placement. The remaining curing procedure shall be in conformance with the Standard Specifications.

**4. METHOD OF MEASUREMENT:**

4.01 Measurement shall be made as the number of square feet of structural slab replaced. No additional measure shall be included for haunch areas or other areas of greater than average thickness.

**5. BASIS OF PAYMENT:**

5.01 The unit price bid per square foot shall include the cost of furnishing all labor, materials, and equipment, necessary to satisfactorily complete the work.

5.02 Replacement of deteriorated reinforcement shall be paid for under its appropriate pay item as shown on the plans. Reinforcement requiring replacement due to damage from the Contractor's operations shall be replaced at no cost to the Authority.

**ITEM 606.19010025 – THRIE BEAM RAILING/CORRUGATED BEAM ROCK FENCE****1. DESCRIPTION:**

- 1.01 Under this item the Contractor shall furnish and erect thrie beam railing/corrugated beam rock fence in areas as shown on the plans or as ordered by the Engineer.

**2. MATERIALS:**

- 2.01 Materials used for this work shall conform to the following requirements:
1. Thrie beam guide railing, corrugated beam and thrie beam back-up plates shall meet the requirements of Materials Specification Subsection 710-20.
  2. All thrie beam sections, including the transition from corrugated beam to thrie beam, shall be 12-gauge.
  3. Heavy posts and offset beams shall conform to the requirements of ASTM A36.
  4. Bolts, nuts and washers shall conform to the requirements of ASTM 325.
  5. All components of the railing, including nuts, bolts and washer shall be galvanized in accordance with Material Specification Subsection 719-01.
  6. Splices shall be made with flat, round-headed, grippable, galvanized bolts, and nuts meeting the requirements of Materials Specification Subsection 710-20.

**3. CONSTRUCTION DETAILS:**

- 3.01 The thrie beam railing/corrugated beam rock fence, and post and rail transitions shall be erected in the position indicated and as detailed on the plans and in a manner approved by the Engineer.
- 3.02 Posts shall be driven unless otherwise specified by the Engineer. The driving shall be accomplished with approved equipment and methods that will leave the posts in their final position, free of any distortion, burring or other damage. When posts are driven through asphalt concrete or a bituminous treated material, the Contractor shall take care to prevent damage to paved or treated areas. Large holes and voids caused by driving the posts shall be filled and compacted with a bituminous treated material of asphalt concrete similar to that damaged. The small area adjacent to the post disturbed during installation or where to the post disturbed during installation or where gaps exist at the post after pavement repairs shall be sealed with a bituminous material approved by the Engineer.
- 3.03 As an alternate to driving posts on unpaved medians and where site conditions are such that driving is not possible, the Contractor shall carefully excavate for all post holes. Post holes and post foundation structures shall be backfilled with a suitable material and compacted in a manner approved by the Engineer.
- 3.04 The rail system shall be constructed in accordance with the requirements and tolerances provided in Subsection 606-3.01 *General* of the Standard Specifications.

**ITEM 606.19010025 – THRIE BEAM RAILING/CORRUGATED BEAM ROCK FENCE****4. METHOD OF MEASUREMENT:**

- 4.01 Measurement will be taken as the number of feet of railing installed. Measurement will be taken along the top of the thrie beam, end-to-end of railing between the limits indicated on the contract plans. No additional measurement will be taken for overlapping sections of railing. If transition sections are installed, measurement will be taken to the end of the transition section indicated on the contract plans.

**5. BASIS OF PAYMENT:**

- 5.01 The price bid shall include the cost of all labor, materials and equipment including: field work necessary to adjust, set and shim posts and/or railing, repair galvanizing after tack welding, drilling, bolting or other operations that might damage the galvanizing; and all other incidental expenses necessary to complete the work.

**ITEM 606.59200125 - RESETTING END TERMINALS FOR BOX BEAM GUIDE RAIL AND MEDIAN BARRIER**

**1. DESCRIPTION:**

1.01 Under this item the Contractor shall reset Type III Box Beam Guide Rail and Type C Box Beam End Terminals at the location(s) shown on the plans and in accordance with these specifications, applicable Standard Sheets, Contract Drawings and Manufacturer's directions and drawings. The Engineer will be sole determiner in the event there are differences between the Specifications, Standard Sheets, Manufacturer's directions and drawings.

**2. MATERIALS:**

2.01 Subsection 606-2.08 of the Standard Specifications shall apply.

**3. CONSTRUCTION DETAILS:**

3.01 The Contractor shall remove, store, clean and reset the box beam end terminal as shown on the plans or as directed by the Engineer. The construction details of Subsection 606-3.06 and 606-3.12 of the Standard Specifications shall apply.

**4. METHOD OF MEASUREMENT:**

4.01 The quantity measured for this item shall be the number of end terminals reset in accordance with the requirements of the Contract Documents and in a manner approved by the Engineer.

**5. BASIS OF PAYMENT:**

5.01 The unit price bid for each end assembly reset shall include the cost of furnishing all labor, materials and equipment necessary to complete the work. Progress payments for the quantity reset will be made in accordance with Subsection 606-5.05(A).

**ITEM 606.92010125 – REPLACE GUIDE RAIL SPLICE BOLTS****1. DESCRIPTION:**

1.01 This work shall consist of removing and disposing non-standard splice bolts from existing guide railing systems and replacing with new splice bolts in accordance with the contract documents and as directed by the Engineer. Guide railing systems include Corrugated Beam Guide Railing and Median Barrier, Heavy-Post Blocked-Out Corrugated Beam Guide Railing and Median Barrier, and Thrie-Beam Guide Railing.

**2. MATERIALS:**

2.01 Splice bolts shall be flat, round-headed, grippable, galvanized bolts and nuts as shown in this specification. Bolts shall be ASTM A307 Grade A. Nuts shall be ASTM A563 Grade A or better. Bolts and nuts shall be galvanized according to the provisions of Section 719-01 *Galvanized Coatings and Repair Methods, Type II*.

**3. CONSTRUCTION DETAILS:**

3.01 Only one splice location shall be worked at a time. Work shall begin from the approach end of the guide rail system and continue in the direction of traffic. An unbolted splice will not be allowed overnight.

3.02 Existing bolts shall be removed with an impact wrench or other approved method that does not damage the galvanizing on the existing guide rail. Cutting torches will not be allowed. Any damage to the galvanizing on the existing guide rail shall be repaired in accordance with Section 719-01 *Galvanized Coatings and Repair Methods, Repair*, at no additional cost to the Authority.

3.02 Work shall not be performed within the pay limits of a proprietary end terminal.

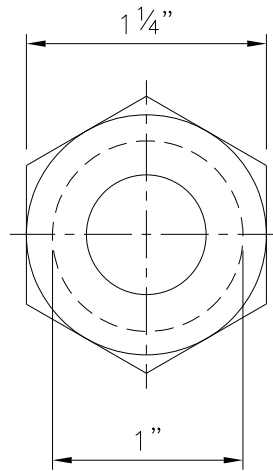
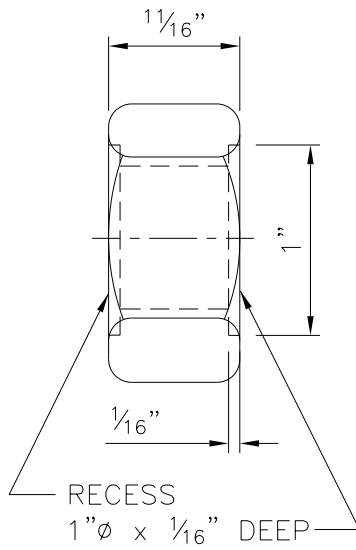
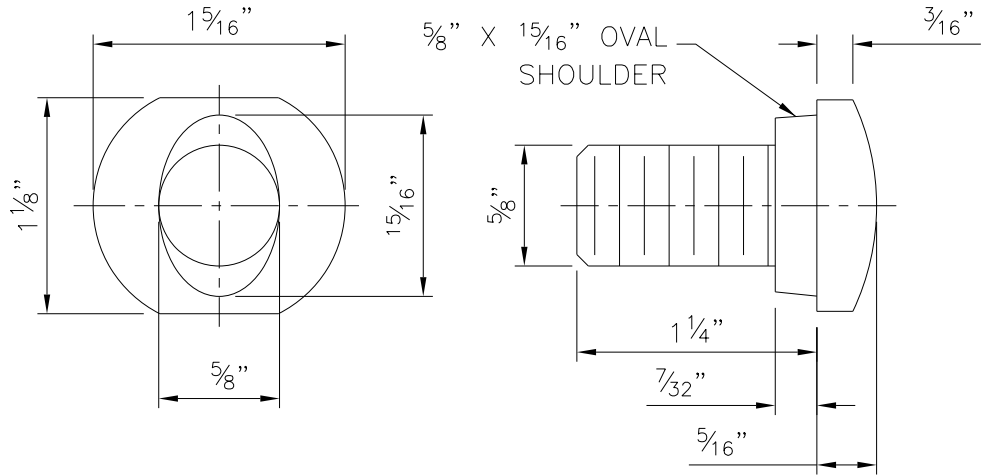
**4. METHOD OF MEASUREMENT:**


4.01 The quantity to be measured for payment will be the number of guide rail splice bolts furnished and installed in accordance with the plans, specifications, standard sheets, and as directed by the Engineer.

**5. BASIS OF PAYMENT:**

5.01 The unit price bid for each guide rail splice bolt shall include the cost of all labor, materials and equipment necessary to complete the work.





|   |  |
|---|--|
|  | NEW YORK STATE THRUWAY AUTHORITY<br>DEPARTMENT OF ENGINEERING SERVICES |
|   | ITEM 606.92010125  |
| DRAWN BY: ..... CAD ..... DATE: 05/11/11  | 2 OF 2   |
| CHECKED BY: ..... BDK ..... SCALE: NOT TO SCALE                                     |  |

**ITEM 619.1706--25 - LINEAR DELINEATION SYSTEM****1. DESCRIPTION:**

- 1.01 Work shall consist of furnishing and installing a linear delineation system on temporary concrete barrier in accordance with the contract documents.

**2. MATERIALS:**

- 2.01 **General Requirements.** The system shall consist of segmented panels attached to temporary concrete barrier segments.

A. Each panel shall be 34 inches long by 6 inches wide.

B. Each panel shall be constructed of retroreflective material permanently bonded to an aluminum substrate. The panels shall have a repeating raised lateral ridge approximately every 2½ inches, 1/3 inch in height, with a 45-degree profile.

**2.02 Color.**

A. Conformance to the daytime color requirements shall be determined from measurement of the retroreflective sheeting applied to aluminum test panels. Daytime color shall be measured instrumentally using a spectrophotometer employing annular 45/0 (or equivalent 0/45) illuminating and viewing geometry.

B. Color measurements shall be made in accordance with ASTM E1164 for white and ASTM E2153 for fluorescent yellow. Chromaticity coordinates shall be calculated for CIE Illuminant D65 and the CIE 1931 (2o) Standard Colorimetric Observer in accordance with ASTM E308 for white and ASTM E2152 for fluorescent yellow.

C. Chromaticity limits for white:

|       | x     | y     | x     | y     | x     | y     | x     | y     | Limit Y (%) |      |
|-------|-------|-------|-------|-------|-------|-------|-------|-------|-------------|------|
|       |       |       |       |       |       |       |       |       | Min.        | Max. |
| White | 0.303 | 0.287 | 0.368 | 0.353 | 0.340 | 0.380 | 0.274 | 0.316 | 40          | --   |

D. Chromaticity limits for fluorescent yellow:

|  | x | y | x | y | x | y | x | y | Fluorescence<br>Luminance<br>Factor Y <sub>F</sub><br>(%)<br>Min. | Total<br>Luminance<br>Factor Y <sub>T</sub><br>(%)<br>Min. |
|--|---|---|---|---|---|---|---|---|---|--|
|  |   |   |   |   |   |   |   |   |   |  |

- 2.03 **Anchoring Materials.** Polymer anchoring materials shall be provided in accordance with Section 701-07 *Anchoring Materials – Chemically Curing*.

- 2.04 **Connections.** Mechanical fasteners shall be provided in accordance with Section 715-16 *Stainless Steel Connecting Products*.

- 2.05 **Adhesive.** An adhesive caulking system such as 3M Window-Weld Super Fast Urethane (#08609), or approved equal, shall supplement mechanical anchorage in all installations.

**ITEM 619.1706--25 - LINEAR DELINEATION SYSTEM****3. CONSTRUCTION DETAILS:**

- 3.01 Materials shall be installed on temporary concrete barrier segments in accordance with the manufacturer's recommendations. Mechanical anchorage shall be provided in accordance with Section 586-3.01 and Section 586-3.03.
- 3.02 Panels shall be attached 6 inches below the top of the temporary concrete barrier segment and spaced 86 inches apart. Gaps between panels may be adjusted as directed by the Engineer for temporary concrete barrier segments that are not 20 feet in length.
- 3.03 Panels shall be attached on all temporary concrete barrier segments tangent to the traveled way: white shall be displayed on the right and fluorescent yellow shall be displayed on the left.
- 3.04 Temporary concrete barrier segments in narrow medians shall have fluorescent yellow panels on both sides of the barrier.
- 3.05 The Contractor shall be responsible for maintaining the panels. Any materials that fail shall be immediately replaced as directed by the Engineer.
- 3.06 Temporary concrete barrier installed at the Contractor's option, or required solely by a delay in the Contractor's operations, shall be provided with a linear delineation system.

**4. METHOD OF MEASUREMENT:**

- 4.01 Linear delineation system will be measured as the number of linear feet satisfactorily installed on temporary concrete barrier. No measurement will be made for the number of linear feet of gaps between delineation panels.

**5. BASIS OF PAYMENT:**

- 5.01 The unit price shall include the cost of furnishing all labor, materials, and equipment necessary to satisfactorily complete the work.
- 5.02 Payment will be made for the length of Linear Delineation System installed upon satisfactory installation of temporary concrete barrier.
- 5.03 Payment for this item will only be allowed once in this contract for each temporary concrete barrier unit. No payment will be made for a subsequent movement of the barrier unit unless a different color is required.
- 5.04 No payment will be made for the linear delineation system on temporary concrete barrier installed at the Contractor's option, or required solely by a delay in the Contractor's operations.

**ITEM 619.96----25 – SPEED DISPLAY TRAILER****1. DESCRIPTION:**

- 1.01 Under this item the Contractor shall furnish, install, maintain, relocate, and remove an all LED, two digit, and trailer mounted speed display sign. The system shall be equipped with traffic radar operating in an “approach only” mode such that only the speeds of approaching vehicles will be displayed. The unit must be capable of displaying all speeds between ten miles per hour (10 MPH) and ninety-nine miles per hour (99 MPH). The system shall provide for the display of a static speed limit sign meeting the requirements of the National Manual on Uniform Traffic Control Devices (MUTCD) and NYS Supplement, mounted above, or adjacent to, the LED display.

**2. MATERIALS:****2.01 Changeable Display:**

- A. **Description:** The changeable display shall be mounted within a sign panel meeting the layout, text size, and reflectivity requirements of National MUTCD and NYS Supplement on a white background. The sign panel shall match the static sign panel described in Section 2.06. The text of the sign shall be “**Your Speed**”. The changeable display shall consist of an LED pixel matrix meeting the following requirements:

1. Two (2) Individual Characters are to be a minimum of (18 inches high each).
2. LED’s shall be Amber colored (Florescent yellow optional)
3. Minimum of 4 LED’s per pixel
4. LED Characters must be visible from 885 feet.
5. 100% Solid state configuration with no moving parts
6. The LED matrix shall have a protective cover such as Lexan or similar
7. Brightness control of the LED’s which can be adjusted for daytime/nighttime use.

For the purposes of this specification, the “Display Panel” refers to the combination of the changeable changeable LED display and the sign panel it is mounted within.

- B. **Display Power Supply:** The power supply for the LED display is to be sufficient to operate the LED pixels for both daylight and nighttime conditions, be suitably regulated and temperature-stable and fully operational in the temperature range of -22°F to 150°F. In addition, the power supply shall satisfy the following requirements:

1. All wiring to be comprised of standardized wiring harnesses and locking connectors.
2. Self-contained 12 volt DC battery system operated with sufficient power to operate the sign for a period of 14 consecutive days before requiring a recharge.

**2.02 Charging System:**

- A. **Description:** The charging system is to be arranged in such a manner as to easily facilitate recharging of the battery system. The 110 volt AC charging system shall initiate charging automatically when 110 volt AC service is connected, and must be capable of completely charging the battery pack within a 72 hour time period. The recharging system is to be designed so that a fully charged unit can remain plugged-in without damaging the system. The trailer must also be equipped with a standard 110 volt AC receptacle as well as a temperature stable 110 volt AC battery trickle charger and ammeter. Incorporation of a solar

**ITEM 619.96----25 – SPEED DISPLAY TRAILER****2. MATERIALS:** (cont'd)**2.02 Charging System:** (cont'd)

powered option must include the necessary provisions to allow switching the recharging mode between the 110 volt AC and the solar panel with minimal effort. The solar powered option shall be fully integrated into the unit power system.

**2.03 Display Control Unit**

- A. **Description:** The display control unit shall be 100% solid state with no moving parts or switches, shall be operable in 0-95% non-condensing humidity conditions at temperatures from minus -22°F to 150°F, and shall include provision(s) for protection against damage should the 12 volt DC power source be incorrectly connected with the leads reversed.
- B. **Mounting:** The display control unit shall be mounted in such a manner as to minimize potential damage from the elements, including road salt and road spray. The LED display unit is to be contained in a vandal resistant housing.
- C. **Wiring:** The control unit shall contain all of the terminal connectors for the display panel wiring harnesses and the keyboard terminal harness.

**2.04 Display Operating Software:**

- A. **Description:** The display operating software shall provide for operator interaction with the sign system and must include industry standard levels of security and access. Password protection and/or access codes are to be included in order to limit access to the sign control menus to authorized persons.
- B. **Diagnostics:** The display operating software shall provide sufficient diagnostic monitoring for the following elements:
  - 1. LED Status – Including LED brightness (as % of maximum) for corresponding photocell ambient light levels.
  - 2. Sign Status – Diagnostic information on the power system and sign performance.
  - 3. Radar Status – Raw (serial) data from the radar unit for diagnostic purposes.
  - 4. Solar Status – System Diagnostic information (for units provided with a Solar Powered Option).
- C. **Main Menu:** The software shall provide full control of the LED display. The software and control keys shall include the ability to perform the following:
  - 1. User-defined “minimum” and “maximum” speed to display.
  - 2. Control of LED display to provide “Steady burn” and at least one “flash” mode.
  - 3. Allow for a minimum of two (2) “trigger” speeds to be preset. When the trigger speeds are reached, the display shall automatically switch to a user-set display mode, which may include, flash mode 1, flash mode 2, “Blank-out”, and displaying “XX”, as well as other display modes.

**ITEM 619.96----25 – SPEED DISPLAY TRAILER****2. MATERIALS:** (cont'd)**2.04 Display Operating Software:** (cont'd)**C. Main Menu:** (cont'd)

4. Display control that allows the sign to be automatically powered up and down based on time and date or a 7-day programmable feature which allows pre-set control of the sign based on a 7 day repeating schedule.
5. A flashing strobe light shall **NOT** be allowed on the system.
6. Radar data logging capabilities must be incorporated into the system which allows, at a minimum, the collection of the following:
  - Average Speeds
  - Number of readings within specified ranges
  - Number of violations
  - Highest speeds

**2.05 Case and Housings:**

- A. The sign case and all housings on the Speed Display Trailer shall be of all aluminum construction and be fabricated to provided full protection from moisture intrusion to sensitive parts due to rain and snow, including road spray.
- B. The lens and/or cover of the LED displays are to be weather proof and provide full protection for the display unit. The lens and/or cover shall be modular and interchangeable. All cases and housings are to be vandal resistant and lockable.

**2.06 Static Speed Limit Sign:** The system shall provide for the display of a Regulatory static speed limit sign above, or adjacent to, the Display Panel. The speed limit sign shall be a minimum of 3 feet in width by 4 feet in height with interchangeable numerals to allow the display of speed limits ranging from forty-five miles per hour (45 MPH) to sixty-five miles per hour (65 MPH) in five miles per hour (5 MPH) increments. The mounting system for the interchangeable numerals shall be provided with vandal resistant connectors. The static speed limit sign shall comply with the provisions of National MUTCD and NYS Supplemental.

**2.07 Sign Support Structure:** The configuration of the sign support structure shall be such that the static sign and the Display Panel will remain in place during all weather conditions that the display trailer is likely to incur, including gusts up to 75 MPH. The static speed limit sign shall be affixed to the support with a positive connection, similar to a permanent roadside installation. The static speed limit sign and Display Panel must be mounted to meet the following minimum heights when the unit is fully deployed:

- a. Static Speed Limit above Display Panel:  
 Speed Limit – 7 feet – 6 inches                      Display Panel – 4 feet – 7 inches
- b. Static Speed Limit Adjacent to Display Panel:  
 Speed Limit – 5 feet – 6 inches                      Display Panel – 5 feet – 6 inches

**ITEM 619.96----25 – SPEED DISPLAY TRAILER****2. MATERIALS:** (cont'd)2.07 **Sign Support Structure:** (cont'd)

**Note:** Minimum heights are measured from the ground surface below the sign/panel to the bottom of each when mounted adjacent to the Display Panel; the static sign must be mounted on the left-side, as viewed by oncoming traffic. When the unit is fully deployed, the support structure shall be stabilized and locked into position.

2.08 **Trailer:**

- A. The trailer is to be constructed of rectangular structural tubing (ASTM A500-B) or welded steel channel (ASTM A36). The trailer shall be designed for safe transport at normal highway speeds of 55 MPH and shall be equipped for use on public highways in accordance with NYS Vehicle and Traffic Law.

Lights, reflectors, and splash guards shall be provided to comply with NYS regulations. Wiring shall be continuous with no splices, and shall be adequately secured approximately.

Every 18 inches with all connections to be made in a watertight junction box, using watertight light fixtures and watertight connections (Truck-Lite 50800/50400 or equal). Reflectors shall be mechanically fastened (not stick-on).

B. **Stabilizing Outriggers:**

Each corner of the trailer shall be fitted with screw leveling jacks to stabilize the trailer when in the display position.

**3. CONSTRUCTION DETAILS:**

- 3.01 The Contractor shall furnish, install, maintain, and relocate speed display trailers at the locations shown and for the usage indicated in the contract documents. When in use, the trailers shall be properly aligned to provide optimum viewing by approaching motorists.
- 3.02 The Contractor shall be responsible for maintenance, repair and relocation of the trailers until progress of work no longer requires their use, as determined by the Engineer. The trailers may be relocated in contracts with multiple work zones, AOB. The speed display shall only be displayed when directed by the Engineer. It is anticipated that the speed display will be in operation 35% of the time.
- 3.03 When not in operation, the speed display trailer shall be removed from the traffic control pattern and replaced with the appropriate static speed limit sign. The speed display trailer shall be stored behind guide rail or a minimum of 9 meters from the edge of pavement.

**ITEM 619.96----25 – SPEED DISPLAY TRAILER****4. METHOD OF MEASUREMENT:**

- 4.01 Speed Display Trailers will be measured as the number of units furnished, installed, maintained, relocated, and removed in accordance with the plans, specifications and as directed by the Engineer. Relocations of Speed Display Trailers will not be measured as additional Speed Display Trailers for payment purposes.

**5. BASIS OF PAYMENT:**

- 5.01 The unit price shall include the cost of all labor, materials and equipment necessary to complete the work; including furnishing, installing, maintaining, relocating and removing Speed Display Trailers in accordance with the plans, specifications and as directed by the Engineer.
- 5.02 Seventy-five percent of the unit price shall be paid when each unit has been delivered to the job site and is operational; the balance shall be paid upon completion of the project or when the Engineer authorizes their removal.



**ITEM 621.05020004 – PREPARING GRADE FOR VEGETATION CONTROL STRIP****DESCRIPTION**

This work shall consist of trimming, grading and reshaping the existing shoulder break area to remove excess material, establish proper grade, provide for satisfactory transverse drainage and prepare a uniform, compacted surface in preparation for placement of a Vegetation Control Strip (VCS) at the site of a proposed guide rail run installation, in accordance with the contract documents and as directed by the Engineer.

**MATERIALS**

The materials used to bring the area beyond the edge of shoulder up to proper grade and/or cross slope shall be available native soil suitable for fill and generated from this operation, or suitable fill material delivered to the site, unless payment for select material is specified in the Contract Documents.

**CONSTRUCTION DETAILS**

This work shall include the following:

- A. Removing and disposing of sod, topsoil, organic material, shoulder backup material, deteriorated shoulder stabilization material and other loose, unsuitable or excess material adjacent to the existing shoulder.
- B. Grading the area in preparation for placement of the proposed Vegetation Control Strip to a uniform cross slope such that after compaction the top surface shall not extend above nor more than ¼ inch below true grade and surface at any location, or as detailed in the Contract Documents.
- C. Building up low areas beyond the edge of shoulder, within the limits of the Vegetation Control Strip, using suitable fill material placed at proper grade. If the available volume of excess native soil suitable for fill removed from within the same guide rail installation site is not sufficient to establish proper grade throughout the run, fill material from other sources shall be delivered to the site. Suitable fill material delivered from other sources, such as other guide rail installation sites, or borrow areas and placed at the site will be paid under Item 203.03 – Embankment in Place.
- D. Compacting the area beyond the existing shoulder within the limits of the proposed Vegetation Control Strip (VCS) to the satisfaction of the Engineer.
- E. All excess material not reused as suitable fill material shall be the Contractor's property for disposal as surplus materials under the provisions of Section 203-3.02.B *Disposal of Surplus Excavated Materials*.

**ITEM 621.05020004 – PREPARING GRADE FOR VEGETATION CONTROL STRIP****METHOD OF MEASUREMENT**

This work will be measured as the number of linear feet of preparing grade in preparation for placement of a Vegetation Control Strip (VCS) measured along each edge of shoulder which such work is performed.

**BASIS OF PAYMENT**

The unit price bid per linear foot shall include the cost of furnishing all labor, materials, and equipment necessary to satisfactorily complete the work, except that, where specified in the plans, suitable fill or select material brought in to fill low areas will be paid for under the appropriate item.

**ITEM 627.50140008 - CUTTING PAVEMENT****DESCRIPTION:**

The contractor shall cut existing asphalt pavement, concrete pavement, asphalt surface course, or asphalt concrete overlay on concrete pavement at the locations indicated and detailed on the plans and as directed by the Engineer.

**MATERIALS:**

None specified.

**CONSTRUCTION DETAILS:**

Existing pavement and overlay shall be cut perpendicular to the roadway surface along neat lines, and to the depth indicated on the plans and typical sections, using appropriate equipment. After the pavement has been cut through, the Contractor may use pry bars, pneumatic tools or other methods, to pry loose the pavement to be removed from the pavement that is to remain. A pavement breaker may be used to break up the pavement to be removed after the pavement has been completely cut through and completely free from the pavement to remain.

When pavement cutting is called for in the Contract documents, if a neat vertical face with minimal shatter is obtained by performing an adjacent operation (such as milling) which eliminates the need to perform a separate pavement cutting operation, payment will be made for both the pavement cutting item and the item for the adjacent operation.

Any existing pavements and curbs not indicated to be removed that are damaged by the contractor's operations, shall be repaired at no additional cost to the State. Pavement cutting that the contractor chooses to do for his/her own convenience shall not receive any additional payment from the State.

**METHOD OF MEASUREMENT:**

The quantity to be measured will be the number of linear feet of pavement cutting satisfactorily completed.

**BASIS OF PAYMENT:**

The unit price bid per linear foot of pavement cutting shall include the cost of all labor, materials, and equipment necessary to satisfactorily complete the work.

Payment for prying, breaking, removal and disposal of cut pavement shall be made through other appropriate items.

**634.07060001 - VIDEO INSPECTION OF PIPE LINES****DESCRIPTION:**

This work shall consist of de-watering, video inspection, survey, inspection report, survey report and video recordings of the existing pipe line. The inspection report, survey report and video recordings will become property of the Owner. Video Inspection of pipe lines will be required at locations as shown on the plans or as ordered by the Engineer.

**MATERIALS**

**De-watering:** The Contractor shall furnish all materials, labor, machinery and services necessary for the bypass pumping of storm water when necessary and as directed by the Engineer to conduct the video inspection and survey effectively. Bypassed storm water will not be discharged to open ground, street or curb areas, unless approved by the EIC.

**Video Inspection:** The video camera used for inspection shall be one specifically designed and constructed for sewer inspection. Lighting for the camera shall be suitable to allow a clear picture for the entire periphery of the pipe. The camera shall be operative in 100% humidity conditions. Picture quality and definition shall be to the satisfaction of the Engineer. The camera shall be able to move through the sewer line in either direction at a uniform slow rate of about 0.5 feet per second.

The video recording shall be furnished on DVD or current technology of the day and shall be compatible for playback on a Windows 7 personal computer or newer as approved by the Engineer. The Contractor shall submit the video recordings and logs to the Engineer daily. Tapes must be of reasonable video clarity that is acceptable to the Engineer.

**CONSTRUCTION DETAILS:**

**De-watering:** De-watering shall be accomplished by the Contractor when pipe line flows are above the minimum requirements or inspection of the complete periphery of the pipe is necessary to conduct inspection operations effectively. De-watering techniques shall not include mopping, or any other technique resulting in a completely dry pipe.

**Video Inspection:** During the actual video inspection, a log shall be maintained by the Contractor's Operating Technician. This log will be a complete record of all structural defects, connections, abnormal conditions and other pertinent data observed, with the distance of each measured from a tether cable or other method acceptable to the Engineer. This log will be maintained on forms to be supplied by the Contractor.

The video recording shall be recorded such that the video inspection may be played back later. This recording shall have an audio channel, which will be used by the Operating Technician to record distance to each item noted in the log. The video recording and log will become the property of the owner.

The number of trips shall be as specified in the contract documents or as ordered by the Engineer.

**634.07060001 - VIDEO INSPECTION OF PIPE LINES****METHOD OF MEASUREMENT:**

This work will be measured as the length in linear feet of culvert or pipe or both satisfactorily televised. Measurement shall be the total length measured end to end along the invert of the culvert or pipe being inspected. For closed drainage systems, the length shall be determined by the measuring from inside wall surface to inside wall surface of adjacent manholes or other drainage structures.

**BASIS OF PAYMENT:**

The unit price bid per linear foot shall include the cost of furnishing all labor, equipment, instruments and material necessary to satisfactorily complete the work. No payment will be made for additional video inspection due to unacceptable portions of the video inspection.

**ITEM 635.04030225 - RECESS DIAMOND GRINDING FOR INLAID PAVEMENT MARKINGS****1. DESCRIPTION:**

- 1.01 This work shall consist of grinding bituminous or portland cement concrete pavement surfaces for recessing pavement markings.

**2. MATERIALS:**

- 2.01 None specified.

**3. EQUIPMENT:**

- 3.01 Grinding equipment shall have free-floating cutting heads to provide a consistent groove slot depth over irregular pavement surfaces. The cutting heads shall have diamond saw blades only; no other type will be permitted. Grinding equipment shall be capable of producing a final pavement surface that has perpendicular vertical sides and a smooth, flat bottom free of ridges.

**4. CONSTRUCTION DETAILS:**

- 4.01 The work required to grind pavement surfaces for inlaid pavement surfaces shall be performed in accordance with these specifications, the contract documents and to the satisfaction of the Engineer.
- 4.02 Areas receiving pavement markings shall be ground to a depth of 80± mils. The grinding width shall exceed the pavement marking width by a total of 1 inch.
- 4.03 Line segments in broken lines and dotted lines shall be ground to provide the ±80-mil depth along the entire specified length of the marking.
- 4.04 **Wet Saw Blade Operation.** If grinding is done with water, the groove shall be immediately flushed with high pressure water to avoid build-up and hardening of slurry. The pavement surface shall be dry prior to application of the pavement markings.
- 4.05 **Dry Saw Blade Operation.** If grinding is done with dry saw blades, dust and debris shall be immediately removed by vacuuming.
- 4.06 The pavement shall be returned to a debris-free condition prior to re-opening to traffic.
- 4.07 **Disposal of Material.** Millings and/or grinding slurry shall be removed and disposed as non-hazardous industrial waste according to Section 107-10.

**5. METHOD OF MEASUREMENT:**

- 5.01 Recess diamond grinding will be measured in feet along the centerline of the prepared surface and will be based on a 7-inch-wide groove (6-inch-wide stripe plus ½ inch each side).

**6. BASIS OF PAYMENT:**

- 6.01 The unit price bid shall include the cost of all labor, materials, and equipment necessary to complete the work. The cost of maintaining and protecting traffic during recess diamond grinding operations and cleaning and drying the grooved surfaces shall be included in the price bid.
- 6.02 No payment will be made for grinding beyond the specified length of the line segments in broken lines and dotted lines.

- ITEM 637.11---25 – ENGINEER’S FIELD OFFICE – TYPE 1**  
**ITEM 637.12---25 – ENGINEER’S FIELD OFFICE – TYPE 2**  
**ITEM 637.13---25 – ENGINEER’S FIELD OFFICE – TYPE 3**  
**ITEM 637.14---25 – ENGINEER’S FIELD OFFICE – TYPE 4**  
**ITEM 637.15---25 – ENGINEER’S FIELD OFFICE – TYPE 5**

1. **DESCRIPTION.** This work shall consist of providing, for the Engineer’s use a building, or a portion thereof, or a modular trailer of a specified type erected at a location approved by the Engineer. In addition, all computer hardware, software and internet communications described in this specification shall be provided for the duration of the contract.
2. **MATERIALS:**

- 2.01 **Engineer’s Field Office.** The Engineer’s Field Office shall be within a secured, weatherproof building or mobile trailer. If two (2) or more mobile trailer units are provided, they shall be joined with weatherproof connections. Mobile trailers shall be in new or like new condition. The Contractor may furnish equivalent facilities in an existing building, provided that the building is located to provide convenient service. The Contractor shall supply the Engineer with a copy of the Certificate of Occupancy for the existing building.

The Engineer’s Field Office shall be in accordance with the requirements of the New York State Uniform Fire Prevention and Building Code, 19 NYCRR, and any applicable local codes.

The Engineer’s Field Office shall be in a location with access to high-speed broadband (non-satellite) Internet service, as determined by the Engineer.

The electrical system shall be able to continuously operate all equipment and be provided with adequate receptacles. To accommodate computer equipment, the field office shall be provided with a dedicated 20 amp electrical service and a vacant floor-to-ceiling area with a 39 inch by 39 inch footprint along a wall for the installation of a computer hardware rack/cabinet. Electric light shall be provided by non-glare type luminaires to provide a minimum illumination level of 1,000 lux at desk-height level. An ambient air temperature of 70 °F ±10 °F shall be maintained.

Fire extinguishers and smoke and carbon monoxide detectors shall be provided and installed.

The Engineer’s Field Office shall be partitioned to provide separate rooms, defined as either “small” or “large”, with adjoining doors. Table 637-1 contains the minimum area requirements for each of the office types.

| <b>TABLE 637-1 ENGINEER’S FIELD OFFICE AREA REQUIREMENTS</b> |                                     |          |          |          |          |
|--|-------------------------------------|----------|----------|----------|----------|
| <b>Physical Requirement</b>                                  | <b>Engineer’s Field Office Type</b> |          |          |          |          |
|  | <b>1</b>                            | <b>2</b> | <b>3</b> | <b>4</b> | <b>5</b> |
| Min. total floor area (ft <sup>2</sup> )                     | 540                                 | 860      | 1300     | 2475     | 2700     |
| Min. number of small rooms                                   | 2                                   | 3        | 2        | 3        | 6        |
| Min. floor area of each small room (ft <sup>2</sup> )        | 100                                 | 100      | 120      | 150      | 175      |
| Min. number of large rooms                                   | 1                                   | 1        | 2        | 2        | 2        |
| Min. floor area of each large room (ft <sup>2</sup> )        | 200                                 | 200      | 240      | 300      | 350      |

- A. **Potable Water.** From a local municipal water supply, certified well or bottled with a heating/refrigerator unit to provide hot and cold water. An exterior frost-free hose bib shall be

- ITEM 637.11---25 – ENGINEER’S FIELD OFFICE – TYPE 1**  
**ITEM 637.12---25 – ENGINEER’S FIELD OFFICE – TYPE 2**  
**ITEM 637.13---25 – ENGINEER’S FIELD OFFICE – TYPE 3**  
**ITEM 637.14---25 – ENGINEER’S FIELD OFFICE – TYPE 4**  
**ITEM 637.15---25 – ENGINEER’S FIELD OFFICE – TYPE 5**

provided in a location adjacent to the Engineer’s Field Office. The hose bib need not be installed on a potable water line, and if the water in the line is not potable, it shall be clearly marked as such.

- B. **Restroom.** A separately enclosed room, lockable from the inside, that is properly ventilated and in compliance with applicable sanitary codes. The Contractor shall provide all lavatory amenities, necessary paper and soap products, hot and cold running water and a toilet. The toilet shall be flush type where sanitary facilities are available, and a type approved by the Engineer prior to installation where sanitary facilities are not available. The minimum required number of restrooms to be provided is specified in Table 637-2.
- C. **Parking Area.** The Contractor shall provide and/or construct paved or hard surfaced (gravel or bankrun material) secure parking area with dedicated parking spaces adjacent to the Engineer’s Field Office. Each parking space shall be 9 feet by 18 feet, and the minimum required number of spaces to be provided is specified in Table 637-2.
- D. **Field Office Signs.** The sign panel material shall be aluminum, fiberglass, plywood or lightweight plastic. The sign sheeting shall be ASTM Type III. The sign panel shall be 36 inches high by 48 inches wide with white legend on green background with the phrases as positioned and described below. If erected at a location where the sign might be struck by an errant vehicle, the sign support shall be a breakaway type.

The letters in the phrase "FIELD OFFICE" shall be 6 inch C series with the top of the letters 6 inches below the top of the panel. The letters in the phrase "ENGINEER-IN-CHARGE" shall be 6 inch B series with the top of the letters 18 inches below the top of the panel. The letters in the phrase "N.Y.S. THRUWAY AUTHORITY" shall be 1½ inch E series with the top of the letters 30 inches below the top of the panel. All phrases shall be centered horizontally on the panel.

If the Engineer’s Field Office is not located within or adjacent to the contract limits, two (2) additional signs shall be displayed conspicuously within the contract limits. The signs shall be similar to the above description, except that they shall be 48 inches high by 64 inches wide and have an additional bottom line of text containing the street address of the Engineer’s Field Office. The letters in the street address shall be 6 inch B series with the top of the letters 36 inches below the top of the panel and centered horizontally on the panel.

- E. **Mailbox.** Standard mailbox (with post if necessary) or post office box meeting the requirements of the U.S. Postal Service.
- F. **Telephone and Answering System.** A separate telephone and digital answering system for the exclusive use of the inspection staff. The minimum required number of telephone voice lines to be provided is specified in Table 637-2 (these lines are in addition to the separate lines to be provided for the dial-up computer access if high speed internet access is not available where the field office is located, as determined by the Engineer). The telephone and answering system shall provide the ability to answer all voice lines from each voice line, transfer calls to all voice lines and be equipped with a single, dedicated answering system.

A minimum of one (1) telephone shall be cordless and a minimum of one (1) telephone shall be equipped with speaker and conference call capability. The remaining telephones, at least one (1) per required voice line, shall be extension telephones with minimum 25 foot long cords. The digital answering system shall be capable of recording outgoing messages up to 60 seconds long and



- ITEM 637.11----25 – ENGINEER’S FIELD OFFICE – TYPE 1**  
**ITEM 637.12----25 – ENGINEER’S FIELD OFFICE – TYPE 2**  
**ITEM 637.13----25 – ENGINEER’S FIELD OFFICE – TYPE 3**  
**ITEM 637.14----25 – ENGINEER’S FIELD OFFICE – TYPE 4**  
**ITEM 637.15----25 – ENGINEER’S FIELD OFFICE – TYPE 5**

receiving a minimum of 40 incoming messages of 60 seconds duration. The system must include automated voice marking of time and day of each message received and provide a message mark so that new messages may be played back without erasing old messages. The system shall include remote programming of playback, backspace, and outgoing message re-record and allow for the retrieval of messages without a remote control unit.

- G. **Photocopier.** Heavy duty, electric, dry-process photocopying machine. The machine shall be an all-in-one copy machine with black & white and color copying, black & white and color printing and black & white and color scanning capabilities. Machine shall have at least three paper bins (8½ x 11 inches, 8½ x 14 inches and 11 x 17 inches), enlarging and reducing capabilities, and collating, sorting stapling and double-sided copying. Set-up, printer drivers, software and networking are required. All on-site staff email addresses shall be set up and programmed for ease of scanning. Maintenance shall be provided, as required, including repairs and all necessary toner cartridges and staples for the life of the contract and until final completion. One (1) case (5,000 sheets, 20 lb, white) of each paper size shall be provided as initial stock.
- H. **Paper Shredder.** Automatic start, heavy duty cross-cut paper shredder. The shredder shall be able to receive 8½ inch wide paper and shred a minimum of 15 sheets simultaneously along with CDs and staples.
- I. **Pencil Sharpener.** Manual or electric pencil sharpener, minimum of 1, throughout duration of the project.
- J. **Interior Bulletin Board.** An installed, wall-mounted 4 foot by 6 foot bulletin board made of cork or similar material in a large room, and one (1) 2 foot by 4 foot wall mounted bulletin board installed per room.
- K. **Dry Erase Board.** Installed, wall-mounted 2 foot by 4 foot dry erase boards, minimum one (1) per room.
- L. **Storage Locker.** Metal or wood storage locker with shelves, a tumbler lock and two (2) keys for the storage of survey, GPS and testing equipment. The total locker space footprint provided shall be a minimum of 9 square feet with a minimum height of 6 feet.
- M. **Fire Resistant Cabinet.** Fire resistant, legal size filing cabinet with locks and two (2) keys each, meeting the requirements of ANSI/UL Standard 72 for Insulated Filing Devices, Class 350-1 hour. Each office shall be provided with two (2) 2-drawer cabinets, and the required number of additional 4-drawer cabinets as specified in Table 637-2.
- N. **Bookcase.** Self-standing, 3-shelf metal or wood bookcase, approximately 4 feet high, 4 feet wide and 1 foot deep. The minimum required number of bookcases to be provided is specified in Table 637-2.
- O. **Wastebasket.** Minimum 7 gallon wastebasket, minimum one (1) per desk.
- P. **Refrigerator.** Electric, top-freezer type providing a minimum storage space of 15 cubic feet for Engineer’s Field Office Types 1 and 2, and a minimum storage space of 21 cubic feet for Types 3, 4 and 5.

- ITEM 637.11---25 – ENGINEER’S FIELD OFFICE – TYPE 1**  
**ITEM 637.12---25 – ENGINEER’S FIELD OFFICE – TYPE 2**  
**ITEM 637.13---25 – ENGINEER’S FIELD OFFICE – TYPE 3**  
**ITEM 637.14---25 – ENGINEER’S FIELD OFFICE – TYPE 4**  
**ITEM 637.15---25 – ENGINEER’S FIELD OFFICE – TYPE 5**

- Q. **Kitchenette.** To include a minimum 1 cubic foot, 1,300 watt microwave oven, a sink with hot and cold running water with minimum dimensions of 15 inch by 15 inch by 6 inch deep, usable counter space with minimum dimensions of 5 feet long by 2 feet deep and cabinet space with minimum dimensions of 5 feet long by 1½ feet deep by 2½ feet high. If the water in the sink is not potable, it shall be clearly marked as such.
- R. **First Aid Kit.** A Type III kit in accordance with ANSI Z308.1 *Minimum Requirements for Workplace First Aid Kits*. The minimum number of first aid kits to be provided is specified in Table 637-2.
- S. **Thermometer.** A minimum-maximum thermometer displaying in degrees Fahrenheit and mounted with an external probe to give the temperature both indoors and outdoors.
- T. **Coat Rack.** A metal or wood coat rack or closet capable of holding at least 4 coats. The minimum required number of coat racks to be provided is specified in Table 637-2. A single coat rack may be provided as long as it holds the minimum number of coats as per Table 637-2.
- U. **Office Desk and Chair.** Fully assembled freestanding office desks and chairs. Each desk shall have a 5 foot long by 2½ foot wide work surface and a height of 30 inches, at least 2 lockable drawers and include an adjustable shelf approximately 1 foot wide and no less than 2½ feet long. Each desk shall also be provided with an adjustable chair with arms, 5 legs with casters and be adjustable from approximately 16 inches to 24 inches in height. Each desk shall have a dedicated electrical outlet receptacle. The required number of office desks and chairs to be provided is specified in Table 637-2.

| <b>TABLE 637-2 ENGINEER’S FIELD OFFICE FURNISHING REQUIREMENTS</b>     |   |          |          |          |          |
|--|---|----------|----------|----------|----------|
| <b>Furnishing Description</b>  | <b>Required Number per<br/>Engineer’s Field Office Type</b> |          |          |          |          |
|  | <b>1</b>  | <b>2</b> | <b>3</b> | <b>4</b> | <b>5</b> |
| Restrooms  | 1   | 1        | 2        | 2        | 3        |
| Parking Spaces   | 6   | 8        | 12       | 18       | 22       |
| Telephone Voice Lines  | 2   | 3        | 4        | 4        | 5        |
| Telephone Line for Computers (when high speed internet is unavailable) | 1   | 1        | 1        | 1        | 1        |
| Fire Resistant Cabinets (4-drawer)                                     | 2   | 3        | 4        | 6        | 8        |
| Bookcases  | 5   | 7        | 10       | 12       | 16       |
| First Aid Kits   | 1   | 1        | 1        | 2        | 2        |
| Coat Racks   | 1   | 2        | 3        | 4        | 5        |
| Office Desks and Chairs  | 4   | 8        | 12       | 18       | 22       |
| Office/Conference Tables   | 2   | 2        | 3        | 4        | 5        |
| Folding Chairs   | 8   | 10       | 10       | 12       | 15       |
| Flatbed Scanner  | 1   | 1        | 1        | 1        | 1        |
| Personal Computer (Hardware and Software)                              | 2   | 4        | 6        | 8        | 8        |
| LaserJet printer   | 1   | 2        | 3        | 3        | 3        |
| Additional Software  | 1   | 1        | 2        | 2        | 3        |

- ITEM 637.11---25 – ENGINEER’S FIELD OFFICE – TYPE 1**  
**ITEM 637.12---25 – ENGINEER’S FIELD OFFICE – TYPE 2**  
**ITEM 637.13---25 – ENGINEER’S FIELD OFFICE – TYPE 3**  
**ITEM 637.14---25 – ENGINEER’S FIELD OFFICE – TYPE 4**  
**ITEM 637.15---25 – ENGINEER’S FIELD OFFICE – TYPE 5**

V. **Office/Conference Table.** Commercial-grade rectangular table with weather/spill resistant top a minimum of 8 feet long by 2½ feet wide by 30 inches high. The minimum required number of office/conference tables to be provided is specified in Table 637-2.

W. **Folding Chair.** Commercial-grade, folding steel chair with approximate overall dimensions of 30 inches by 19 inches wide by 21 inches deep. The minimum required number of folding chairs to be provided is specified in Table 637-2.

2.02 **Information Technology.** The minimum required number of personal computers to be provided is specified in Table 637-2. The minimum requirements for each personal computer are:

A. **Hardware** (Note: Information in yellow highlight below has been updated from previous version of special specification.)

- CPU to operate Windows 10 for Business (64-bit edition) and all other software listed in this specification;
- Optical Drive – CD-RW/DVD-RW;
- 1 TB (terabyte) minimum hard drive;
- 8 GB (gigabytes) minimum RAM;
- USB Port(s);
- 24” LCD monitor (1920 x 1080 resolution minimum);
- One (1) 1 TB (terabyte) External Hard Drive;
- Locking cabinet(s) which encloses all computer hardware;
- Surge protection device;
- External 3 button optical scroll mouse;
- External Speakers;
- Modem with separate phone line for computer (if high speed internet service is unavailable, as determined by the Engineer), (minimum 56K baud rate).
- USB Microphone and web camera for online tele-conferencing.

B. **Software.** Substitutions for the specified software shall not be permitted unless noted otherwise. All manuals shall be provided.

- Windows 10 for Business (64-bit edition);
- Microsoft Word (2016 version or later);
- Microsoft Excel (2016 version or later);
- 7-ZIP;
- Norton Internet Security (latest version for Windows 10) set up to run in Auto-Protect Mode and Auto Update Mode (monthly), or McAfee Internet Security Suite (latest version);

Note: Microsoft Office 2016 Standard Edition, or later version, may be used in lieu of Word 2016 and Excel 2016.

C. **Additional Software.** The following software shall also be provided on the number of personal computers specified in Table 637-2:

- Microsoft Photo Editor (latest version);

- ITEM 637.11---25 – ENGINEER’S FIELD OFFICE – TYPE 1**  
**ITEM 637.12---25 – ENGINEER’S FIELD OFFICE – TYPE 2**  
**ITEM 637.13---25 – ENGINEER’S FIELD OFFICE – TYPE 3**  
**ITEM 637.14---25 – ENGINEER’S FIELD OFFICE – TYPE 4**  
**ITEM 637.15---25 – ENGINEER’S FIELD OFFICE – TYPE 5**

- Adobe Acrobat XI Professional (latest version);

**D. Internet Communication.**

- **Cable Internet Service.** 10/100 Ethernet cable network card and high-speed cable modem capable of transferring data at a minimum of 50 megabits per second;
- Subscription to an Internet Service Provider capable of providing high-speed Internet service;
- Network/Wireless – Ethernet or wireless card to be compatible with the selected internet and office network connections.

3. **CONSTRUCTION DETAILS.** The Contractor shall be responsible, until use and occupancy is relinquished by the Authority, for any and all damage, direct or indirect, of whatever nature, occurring to the property of the Authority and property of the inspection staff which is kept in the Engineer's Field Office. The Engineer will provide the Contractor with a detailed list of items kept in the office, with corresponding dollar values, and will provide the Contractor with updates when something on the list changes. Non-Authority-owned property shall only be those items used in the performance of contract-related work activities. Such property shall be replaced within 30 days of the reported damages and would include any loss caused by, but not limited to, fire, theft, vandalism or malicious mischief. The Contractor shall not be responsible for items kept in the Engineer's Field Office that are not on this list.

The Contractor shall install the Engineer’s Field Office sign at a location approved by the Engineer. If the Engineer’s Field Office is not located within or adjacent to the contract limits, two (2) additional signs shall be displayed conspicuously within the contract limits in locations directed by the Engineer.

The Engineer’s Field Office shall be fully equipped and made available for use and occupancy by the inspection staff prior to the start of any contract work, and shall be made available after contract final acceptance as directed in writing by the Division Construction Engineer.

All furniture and equipment shall be fully assembled, operational, clean and serviceable. The Engineer’s Field Office shall be cleaned weekly or more often if required, and the timing of the cleaning operations shall be coordinated with the Engineer. The Contractor shall remove and dispose of all rubbish generated in the office and shall keep the office free from pests. The Contractor shall remove snow from all areas subject to vehicular circulation and parking.

After completion, all portable buildings or trailers, fencing, surfacing and utilities shall be removed from the location and the areas cleaned, loamed and restored as required. The Contractor shall be responsible for providing all necessary computer hardware, software and peripheral devices as well as high-speed Internet service to the Engineer’s Field Office until use and occupancy of the Engineer’s Field Office is relinquished by the Authority. Only internet services that can provide a minimum data transfer rate of 50 megabits per second will be considered acceptable. The Contractor shall be responsible for providing all necessary service connections to the Engineer’s Field Office and Engineer’s Field Office computer(s). In addition, the Contractor shall provide a cable or DSL modem and any other equipment necessary to provide the minimum specified data transfer rate.

4. **METHOD OF MEASUREMENT.** The Engineer’s Field Office will be measured for payment as the number of months satisfactorily provided, measured to the nearest 0.25 months.

**ITEM 637.11----25 – ENGINEER’S FIELD OFFICE – TYPE 1**  
**ITEM 637.12----25 – ENGINEER’S FIELD OFFICE – TYPE 2**  
**ITEM 637.13----25 – ENGINEER’S FIELD OFFICE – TYPE 3**  
**ITEM 637.14----25 – ENGINEER’S FIELD OFFICE – TYPE 4**  
**ITEM 637.15----25 – ENGINEER’S FIELD OFFICE – TYPE 5**

5. **BASIS OF PAYMENT.** The unit price bid per month for the Engineer’s Field Office shall include the cost of all labor, materials and equipment necessary to complete the work including property rental, utility charges and incidental expenses. Payment will be made for each month of availability for occupancy by the Engineer and inspection field staff.

No payment will be made under Engineer's Field Office when deficiencies in compliance with these requirements are not promptly addressed by the Contractor after notification by the Engineer. Should the aggregate of non-compliance days exceed 3 days in any one month, no payment shall be made for the entire month in which deficiencies were cited.

Monthly payments may be terminated prior to contract final acceptance by written notification by the Division Construction Engineer that such office will no longer be required on the contract. Payment for each month's occupancy of the Engineer’s Field Office after the date of contract final acceptance will be made as part of the final contract payment. Failure of the Contractor to supply documentation required to complete the final estimate may result in nonpayment during this delaying period.

During periods of contract extension of time where Engineering Charges are assessed, no payment will be made for occupancy and services, except that payment for each month's occupancy after the date of final acceptance will be made as part of the final estimate.

**ITEM 640.25000010 - BLUE REFLECTORIZED PAVEMENT MARKING PAINT  
FOR HANDICAPPED PARKING SPACES**

All of the provisions of Section 640 pertaining to White Paint ReflectORIZED Pavement Stripes shall apply except for the following:

The pavement marking paint shall be tinted blue prior to application. The color of the paint shall be such that a prepared color chip shall be a reasonable visual match to Federal Color Standard No. 595B, Color 15180. Viewing shall be done under normal daylight.

Application of the blue reflectORIZED pavement marking paint will be restricted to parking and passenger loading zones and other marking which are specifically intended for accessibility by handicapped persons, as detailed in the plans.

|                            |   |
|----------------------------|---|
| <u>ITEM 646.0603--25 -</u> | <u>INSTALL DELINEATOR OR TENTH MILE MARKER ON POST</u>                                |
| <u>ITEM 646.0604--25 -</u> | <u>INSTALL DELINEATOR OR TENTH MILE MARKER, BACK-TO-BACK ON POST</u>                  |
| <u>ITEM 646.0610--25 -</u> | <u>INSTALL DELINEATOR OR TENTH MILE MARKER, BAND OR BRACKET MOUNTED</u>               |
| <u>ITEM 646.0612--25 -</u> | <u>INSTALL DELINEATOR OR TENTH MILE MARKER, BACK-TO-BACK, BAND OR BRACKET MOUNTED</u> |
| <u>ITEM 646.0801--25 -</u> | <u>INSTALL SNOWPLOW MARKER, SINGLE UNIT</u>   |
| <u>ITEM 646.0802--25 -</u> | <u>INSTALL SNOWPLOW MARKER, DOUBLE UNIT</u>   |

1. **DESCRIPTION:**

- 1.01 The work shall consist of furnishing and installing delineator and/or snowplow marker posts, bands, brackets and all necessary hardware for mounting delineators or snowplow markers as shown on the plans.

2. **MATERIALS:**

- 2.01 The posts shall conform to the requirements of Section 646-2 of the Standard Specifications and as shown on the plans.

3. **CONSTRUCTION DETAILS:**

- 3.01 The Contractor shall install the delineators or snowplow markers in accordance with Section 646-3 of the Standard Specifications and as shown on the plans.

4. **METHOD OF MEASUREMENT:**

- 4.01 The work shall be measured as the number of complete delineators or snowplow markers installed.

5. **BASIS OF PAYMENT:**

- 5.01 The unit price bid for each delineator or snowplow marker shall include the cost of all equipment, labor and materials including posts, bands, brackets and hardware necessary to satisfactorily mount and install the delineator or snowplow marker. Also included is the cost to pick up the delineator or snowplow marker panels from the Authority.

**ITEM 646.0626--25 - INSTALL MILE MARKERS****1. DESCRIPTION:**

1.01 The work shall consist of furnishing and installing mile marker posts and hardware for mounting mile markers as shown on the plans. The mile marker panels will be furnished to the Contractor by the Authority.

**2. MATERIALS:**

2.01 The posts shall conform to the requirements of Section 646-2 of the Standard Specifications.

**3. CONSTRUCTION DETAILS:**

3.01 The Contractor shall install the posts in accordance with Section 646-3 of the Standard Specifications at locations shown on the plans and as directed by the Engineer.

**4. METHOD OF MEASUREMENT:**

4.01 The work shall be measured on an each basis for installation of the markers.

**5. BASIS OF PAYMENT:**

5.01 The unit bid price for each mile marker installed shall include the cost of all equipment, labor, and materials including posts and mounting hardware necessary to mount the panel and install the marker. Also included is the cost to pick up the marker panels from the Authority.



**ITEM 646.50----25 - REMOVE AND DISPOSE DELINEATORS AND MARKERS****1. DESCRIPTION:**

1.01 This work shall consist of removing and disposing delineators, mile markers, tenth-mile markers and snowplow markers, including posts, in accordance with the contract documents and as directed by the Engineer.

**2. MATERIALS:**

2.01 None specified.

**3. CONSTRUCTION DETAILS:**

3.01 The Contractor shall remove and dispose delineators, mile markers, tenth-mile markers and snowplow markers, including posts, in a manner satisfactory to the Engineer.

**4. METHOD OF MEASUREMENT:**

4.01 The quantity to be measured for payment will be the number of delineators and/or markers removed and disposed.

**5. BASIS OF PAYMENT:**

5.01 The unit price bid for removal and disposal of each delineator and/or mile marker shall include the cost of all labor and equipment necessary to complete the work.

**ITEM 655.0528 25 – REPLACEMENT OF EXISTING DRAINAGE GRATES****1. DESCRIPTION:**

- 1.01 This work shall consist of removing and disposing of existing drainage grates and furnishing and installing replacement grates of the same type and size as the grates being replaced.
- 1.02 Existing grates that are removed for the purpose of cleaning culverts, drainage structures, or any drainage related work, and determined by the Engineer to be unsatisfactory for re-use shall be replaced in-kind and paid for under this Item.

**2. MATERIALS:**

- 2.01 Subsection 655-2.02 shall apply.

**3. CONSTRUCTION DETAILS:**

- 3.01 The Contractor shall remove the existing drainage grates and dispose of them off the project site. The new grates shall be installed in the existing frames in accordance with Subsection 655-3.01. Proper precautions shall be taken to protect traffic at all times.

**4. METHOD OF MEASUREMENT:**

- 4.01 This work shall be measured by the number of drainage grates and appurtenant materials furnished and placed in accordance with the specifications and as directed by the Engineer.

**5. BASIS OF PAYMENT:**

- 5.01 The unit price bid for each drainage grate shall include the cost of furnishing all labor, materials, and equipment necessary to satisfactorily complete the work. Work required to make adjustments to the existing frame so that it accepts the replacement grate shall be included in this Item.

**ITEM 685.XX06--25 - EPOXY REFLECTORIZED PAVEMENT STRIPES, 6 INCH WIDTH****1. DESCRIPTION:**

- 1.01 Under this work the Contractor shall furnish and apply epoxy reflectORIZED pavement markings in accordance with these specifications, the Contract Documents, the Manual on Uniform Traffic Control Devices (MUTCD) with the NYS Supplement, or as ordered by the Engineer. Unless otherwise indicated, payment will be for increments of 6 inches of strip width.
- 1.02 The epoxy marking material shall be hot applied by spray methods onto bituminous and Portland cement concrete pavement surfaces at the thickness and width shown on the Contract Documents and/or as indicated by the Pay Item Number. Following an application of glass beads, the cured epoxy marking shall be an adherent reflectORIZED stripe.
- 1.03 The EPOXY REFLECTORIZED PAVEMENT STRIPE, 6 INCH WIDTH Work Item shown in the plans will be the appropriate Item number for stripe color and application at a  $15 \pm 1$  mil wet thickness on concrete and aged asphalt, or at a  $20 \pm 1$  mil wet thickness on new asphalt cement.

**ALL PROVISIONS OF SECTION 685 - EPOXY REFLECTORIZED PAVEMENT MARKINGS SHALL APPLY EXCEPT AS MODIFIED BY ADDENDA AND BELOW:**

**4. METHOD OF MEASUREMENT:**

- 4.01 Shall be as in Section 685 except:

Pavement striping will be measured in linear feet along the centerline of the pavement stripe, and will be based on a 6 inch wide stripe. Measurement for striping with a width greater or lesser than the basic 6 inches, as shown on the plans or directed by the Engineer, will be made by calculating payment length using the following method:

$$\frac{\text{Plan Width of Striping (inches) X Linear Feet Measured}}{6 \text{ inches}}$$

**5. BASIS OF PAYMENT:**

- 5.01 Shall be as in Section 685 except:

Payment will be made under:

| <u>ITEM NO.</u> | <u>ITEM</u>  | <u>PAY UNIT</u> |
|-----------------|--|-----------------|
| 685.0106----25  | White Epoxy ReflectORIZED Pavement Stripes, 6" x 15Mils  | LF              |
| 685.0206----25  | Yellow Epoxy ReflectORIZED Pavement Stripes, 6" x 15Mils | LF              |
| 685.1106----25  | White Epoxy ReflectORIZED Pavement Stripes, 6" x 20Mils  | LF              |
| 685.1206----25  | Yellow Epoxy ReflectORIZED Pavement Stripes, 6" x 20Mils | LF              |
| 685.1306----25  | White Epoxy ReflectORIZED Pavement Letters               | EA              |
| 685.1406----25  | White Epoxy ReflectORIZED Pavement Symbols               | EA              |

**ITEM 685.17XX--25 - HIGHLY REFLECTORIZED TRIPLE DROP EPOXY PAVEMENT STRIPES, 6 INCH WIDTH**

**1. DESCRIPTION:**

- 1.01 Under this work, the Contractor shall furnish and apply highly reflectORIZED epoxy pavement markings in accordance with the contract documents or as ordered by the Engineer, and in conformance with the MUTCD and these specifications.

The epoxy marking material shall be hot-applied by spray methods onto bituminous or portland cement concrete pavement surfaces at a 6-inch width and a 20-mil wet thickness as indicated in the contract documents. The cured epoxy marking shall be an adherent, highly reflectORIZED stripe.

- 1.02 The triple drop system shall consist of a combination of highly reflective composite optics, defined as a structural center core surrounded by high index microcrystalline ceramic beads or glass spheres, wet/night visibility beads, and standard glass beads.

**2. MATERIALS:**

- 2.01 All provisions of Section 727-03 *Epoxy Paint* shall apply.
- 2.02 The highly reflective composite optics, as defined in Section 1.02, shall contain high index beads with a refractive index (R.I.) between 1.8 and 2.4.
- 2.03 When the highly reflective composite optics are tested in accordance with ASTM E2177 Bucket method, the test method for measuring wet recovery under the standard conditions for wetness, the minimum test results shall be 275 mcd/m<sup>2</sup>/lux for white and 225 mcd/m<sup>2</sup>/lux for yellow.
- 2.04 The glass spheres of the highly reflectORIZED triple drop shall consist of Wet/Night Visibility Beads and Standard Glass Beads as defined in Section 727-05 *Glass Beads for Pavement Markings*.
- 2.05 The highly reflective composite optics shall match the color of the line they are being dropped in, so to not significantly alter the color appearance of the line and shall be either 3M Connected Roads ALL Weather Elements, Potters VISIMAX, or approve equal.
- 2.06 Wet/Night Visibility Beads shall be Visibead Plus, or approved equal.

**3. CONSTRUCTION DETAILS:**

- 3.01 All provisions of Standard Specification §685-3 shall apply.
- 3.02 Beads shall be applied as follows:
- A. **6 inch by 20 mil applications.** The first drop shall be highly reflective composite optics at a rate per manufacturer's recommendation; the second drop shall be Wet/Night Visibility Beads at a rate of 5 pounds per gallon; and the third drop shall be Standard Glass Beads at a rate of 8 pounds per gallon.

**ITEM 685.17XX--25 - HIGHLY REFLECTORIZED TRIPLE DROP EPOXY PAVEMENT STRIPES,  
6 INCH WIDTH**

**4. METHOD OF MEASUREMENT:**

- 4.01 Pavement striping will be measured in feet along the centerline of the pavement stripe and will be based on a 6-inch wide stripe. Measurement for striping with a plan width greater or lesser than the 6 inches as shown on the plans or directed by the Engineer, will be made by the following method:

$$\frac{\text{Plan Width of Striping (inches)} \times \text{Feet}}{6 \text{ inches}}$$

**5. BASIS OF PAYMENT:**

- 5.01 All provisions of Standard Specification §685-5 shall apply.

*Payment will be made under:*

| <u>Item Number</u> | <u>Item</u>   | <u>Pay Unit</u> |
|--------------------|---|-----------------|
| 685.1707--25       | White Highly ReflectORIZED Triple Drop Epoxy Pavement Stripes – 6 in x 20 mils  | LF              |
| 685.1708--25       | Yellow Highly ReflectORIZED Triple Drop Epoxy Pavement Stripes – 6 in x 20 mils | LF              |

**ITEM 688.0401--25 - PREFORMED REFLECTORIZED HANDICAP PARKING PAVEMENT SYMBOLS**

The requirements of Section 688 *Preformed Reflectorized Pavement Markings* shall apply except as follows:

The preformed reflectorized handicap parking pavement symbol shall consist of a white, reflective international symbol of accessibility inlaid into a blue, non-reflective background mat with pigments selected and blended to conform to standard highway colors through the expected life of the marking.

**ITEM 697.0203--25 - FIELD CHANGE ORDER (THRUWAY)****1. DESCRIPTION:**

- 1.01 **General.** The Field Change Order (FCO) provides a contract contingency allowance for the timely payment of authorized additional work that is necessary to fulfill the intent of the plans and specifications.
- 1.02 **Eligible Work.** FCO payments shall be limited to work that is: (1) within the scope of the contract; (2) a quantity variation of existing contract pay items, or; (3) a new contract pay item introduced as a result of minor field adjustments in the details of the project. All eligible items of work shall have a known unit price, either through use of a contract bid price or through an agreed price.

**2. MATERIALS:**

- 2.01 None specified.

**3. CONSTRUCTION DETAILS:**

- 3.01 None specified.

**4. METHOD OF MEASUREMENT:**

- 4.01 This item will be measured for payment on a Dollars Cents basis.
- 4.02 **Bid Price.** The unit price shown in the proposal for this item will be considered as the price bid, and shall not be altered in any manner. Should the amount shown be altered, the new figure will be disregarded and the original bid price will be used to determine the total amount bid for the contract.
- 4.03 **Payments.** Work for which FCO payments are processed will be measured in accordance with the specifications governing the work.

**5. BASIS OF PAYMENT:**

- 5.01 All work to be paid under the FCO item must be authorized in conformance with §104-02 *Changes, Contingencies, Extra Work and Deductions*. Disputed work, force account work, work associated with §104-10 *Value Engineering Change Proposals*, or payments for time related provisions are not eligible for FCO payment.
- 5.02 FCO payments will be determined from the quantities and unit prices of eligible work that has been completed in conformance with applicable Specifications. Work for which FCO payments are processed will be paid in accordance with the specifications governing the work.
- 5.03 Prior to processing the final agreement, the FCO payments will be reconciled through a final order-on-contract, such that the amount of FCO payments are converted to the corresponding quantities of the pertinent contract pay items. When payments are transferred to the appropriate items, the remaining amount of FCO funds will be deleted.

**ITEM 699.04----25 - MOBILIZATION****1. DESCRIPTION:**

- 1.01 Under this work the Contractor shall provide the following:
- A. Necessary bonds, insurance, and prefinancing and set-up of necessary general plant, including shops, storage areas, Engineer's and Contractor's offices and such sanitary and other facilities as are required by local or state law or regulation.
  - B. Critical path method (CPM) schedule of operations as described in §108-01 of the TA Addendum.
  - C. M/WBE participation program meeting the M/WBE goals of the contract as described in §109-06 *Contract Payments* and in accordance with §102-12 *D/M/WBE Utilization*.

**2. MATERIALS:**

- 2.01 Unless otherwise specified, such materials as required for mobilization and are not to be part of the completed contract shall be as determined by the Contractor, except that they shall conform to any pertinent local or state law, regulation or code.

**3. CONSTRUCTION DETAILS:**

- 3.01 The work required to provide the above facilities and service for mobilization shall be done in a safe and workmanlike manner and shall conform with any pertinent local or state law, regulation or code. Good housekeeping consistent with safety and other requirements of this contract shall be maintained.

**4. METHOD OF MEASUREMENT:**

- 4.01 Payment for mobilization will be made on a lump sum basis.

**5. BASIS OF PAYMENT:**

- 5.01 The amount bid for mobilization shall not exceed four percent (4%) of the total contract bid price excluding the bid price for mobilization. Should the bidder exceed the foregoing four percent (4%), the Authority will make the necessary adjustment to determine the total amount bid based on the arithmetically correct proposal.

The amount bid shall include the furnishing and maintaining of services and facilities noted under Section 1.01 to the extent and at the time the Contractor deems them necessary for its operations, consistent with the requirements of this work and the contract.

The amount bid shall be payable to the Contractor with the first contract payment made for other contract work following acceptable completion of all requirements noted under Section 1.01.

*Payment will be made under:*

| <u>Item Number</u> | <u>Item</u>  | <u>Pay Unit</u> |
|--------------------|--------------|-----------------|
| 699.04----25       | Mobilization | Lump Sum        |



# **SPECIAL NOTES**

### **CONFIDENTIAL INFORMATION**

1. **Confidential Information:** “Confidential Information” means any information not generally known to the public, whether oral or written, that the Authority claims is confidential and discloses to Contractor for the purposes of performing work on the Project. Confidential Information may include, but is not limited to, operational and infrastructure information relating to: bid documents, plans, drawings, specifications, reports, product information and data, business and security processes and procedures; personnel and organizational data, and financial statements; information system IP addresses, passwords, security controls, architectures and designs; and such other data, information and images that the authority deems confidential. The Authority will identify written Confidential Information by marking it with the word “Confidential” and will identify oral Confidential Information as confidential at the time of disclosure to the Contractor.
2. **Exempt Materials:** Confidential Information does not include information which, at the time of the Authority disclosure to Contractor; (a) is already in the public domain or becomes publicly known through no act of Contractor; (b) is already known by Contractor free of any confidentiality obligations; (c) is information that the Authority has approved in writing for disclosure; or (d) is required to be disclosed by Contractor pursuant to law so long as Contractor provides the Authority with notice of such disclosure requirement and an opportunity to defend prior to any such disclosure.
3. **Permitted Use:** Contractor may use Confidential Information solely for the purposes of performing work on the Project. Contractor may share Confidential Information with its employees, consultants, sub-consultants, sub-contractors, suppliers, and agents that are necessary to perform work on the Project (“Authorized Personnel”), but must ensure that such Authorized Personnel execute a Confidentiality and Non-Disclosure Agreement as set forth in the Minimum requirements for the Handling and Treatment of Confidential Information. The Authority’s disclosure of Confidential Information to Contractor shall not convey to Contractor any right to or interest in such Confidential Information and the Authority shall retain all right and title to such Confidential Information at all times.
4. **Protections:** Contractor shall hold Confidential Information confidential to the maximum extent permitted by law. Contractor shall safeguard Confidential Information in accordance with the Minimum Requirements for the Handling and Treatment of Confidential Information.
5. **Return of Confidential Information:** Upon the written request of the Authority, Contractor shall return all written Confidential Information to the Authority.

### **EXTERNAL CONNECTIONS**

If in order to perform work on the Project, Contractor must make an external connection to the Authority’s data communications infrastructure and/or access Authority information systems, Contractor shall in all respects comply with all Authority policies and procedures regarding such connections and information systems access and undertake whatever actions are necessary in the discretion of the Authority to ensure such compliance. Contractor shall be responsible for all costs associated with ensuring that its own network security measures comply with all Authority policies and procedures regarding external connections.

**MINIMUM REQUIREMENTS FOR THE  
HANDLING AND TREATMENT OF CONFIDENTIAL INFORMATION**

Contractor shall meet the following minimum requirements relative to project information that is identified as **CONFIDENTIAL**.

**Authorized Personnel:**

Contractor shall require that all authorized individuals or entities (e.g., employees, consultants, sub-consultants, sub-contractors, suppliers and agents) (“Authorized Personnel”) to which it discloses **CONFIDENTIAL** information sign a Confidentiality and Nondisclosure Agreement (“Agreement”). Such Agreement shall provide that Authorized Personnel: are personally responsible at all times for protecting **CONFIDENTIAL** information that is in their possession or control; must always use proper precautions to safeguard against the unauthorized access and disclosure of **CONFIDENTIAL** information; must notify Contractor of any known or suspected instances of loss or theft of, or unauthorized access to, **CONFIDENTIAL** information; and must return all **CONFIDENTIAL** information to Contractor upon completion of the project. Contractor shall be responsible for enforcing the provisions of such Agreement through personal observation and supervision of Authorized Personnel and utilization of appropriate processes.

Contractor shall maintain a list of all Authorized Personnel which have access to **CONFIDENTIAL** information and must provide the Authority with such list upon the Authority’s request. Contractor shall update such list monthly and notify the Authority of any changes in such list.

**Inventory Control:**

Contractor shall create and maintain an inventory of all **CONFIDENTIAL** information that it provides to Authorized Personnel. Upon completion of the project, Contractor shall check all **CONFIDENTIAL** information returned from Authorized Personnel against the inventory. Contractor shall provide a copy of the checked inventory to the Authority.

**Use and Storage:**

Contractor shall implement reasonable processes during normal working hours to prohibit unauthorized individuals from gaining access to **CONFIDENTIAL** information that is within the Contractor’s custody and control. At times other than normal working hours, Contractor shall store **CONFIDENTIAL** information in a secure area, such as a fire-proof safe, locked desk, cabinet or other secure storage facility, where access can be controlled. Contractor shall control the access that Authorized Personnel have to **CONFIDENTIAL** information stored in such secure areas through the use of manual or automated locks and keys. Contractor shall maintain a list of Authorized Personnel who have access to such secure areas and the specific **CONFIDENTIAL** information therein.

**Reproduction:**

Contractor may reproduce **CONFIDENTIAL** information only to the extent necessary to carry out contract performance. Contractor must stamp/mark all **CONFIDENTIAL** information that is reproduced with the word **CONFIDENTIAL** and protect it in the same manner as the original.

**Transportation:**

To the extent feasible and reasonable, Contractor shall hand deliver **CONFIDENTIAL** information with instructions that only the addressee is allowed to open or view it. Contractor may send **CONFIDENTIAL** information that cannot be hand delivered via the U.S. Postal Service or express mail services (e.g., FEDEX) provided: it is packaged and sealed in a way that does not disclose its contents or the fact that it is **CONFIDENTIAL** information, and a signature from the recipient is required.

Under no circumstances shall a transportation method be used that cannot guarantee that **CONFIDENTIAL** information is accessed only by the intended recipient.

**Disposal:**

Contractor shall dispose of all **CONFIDENTIAL** information, regardless of its form or format, using a destruction method that prevents its unauthorized retrieval (e.g., crosscut or micro shredding, degaussing).

**Loss, Theft or Unauthorized Access:**

Contractor shall provide timely notice to the Authority upon discovery of any incident involving the loss or theft of, or unauthorized access to, **CONFIDENTIAL** information.

**SPECIAL NOTE:**  
**CONTROL OF MATERIALS**

The Contractor's attention is directed to the TA Addendum, Section 106 – CONTROL OF MATERIAL, available from the Authority's website at: <http://www.thruway.ny.gov/business/addendum/index.html>. The Contractor understands and agrees that some or all of the off-site inspection and approval of material such as precast concrete items, structural steel, bridge bearings, concrete structural elements and/or their components to be used on this project will be done by the New York State Department of Transportation (NYSDOT) as the Authority's agent.

The Contractor agrees to the following conditions:

1. Whenever the Contractor receives direction from the NYSDOT regarding the approval/rejection of material that direction constitutes direction by the Authority under the contract and, shall be final and accepted as such by the Contractor.
2. The Contractor will not allow off-site materials subject to inspection and approval of NYSDOT to be shipped to the project site without direct authorization from the NYSDOT.
3. At the Pre-Award Meeting or as soon as practicable, but in any case, before the Pre-Construction Conference, the Contractor will provide the following information to the Thruway Authority's Director, Office of Construction Management, for transmittal to NYSDOT to arrange off-site inspections:
  - A. The name and address of each Manufacturer of all materials, and portions thereof, requiring off-site quality assurance to be incorporated into this highway project.
  - B. The name and address of each Fabricator fabricating each steel item or any portion thereof to be incorporated into this highway project.
  - C. The name and address of each Fabricator manufacturing structural pre-cast/pre-stressed items or any portion thereof to be incorporated into this highway project.
4. The Contractor agrees that it and its Subcontractors and Suppliers will acquire all materials to be incorporated into this Thruway project **only** through Manufacturing, Batching and Fabrication facilities approved by NYSDOT.

## AVAILABILITY OF ELECTRONIC BID DATA

### 1. SUMMARY:

The New York State Thruway Authority (NYSTA) uses Project Bids Software for electronic bidding. Project Bids is a product of the American Association of State Highway and Transportation Officials (AASHTO) that is currently used by the majority of State Departments of Transportation. It is provided free of charge and can be used on almost any Windows-compatible PC. It integrates with many existing electronic bid preparation software and has import/export capability for use with database and spreadsheet systems. Project Bids allows bidders to receive electronic proposal bid item information from the NYSTA's internet web site and to produce both an electronic and a paper-based bid.

For additional information and downloads, see the NYSTA website at:  
<http://www.nysthruway.gov/business/contractors/expedite/index.html>.

### 2. PARTICIPATION AND RELATIONSHIP TO PAPER DOCUMENTS:

The Authority's adoption of electronic bidding does not force any Contractor to bid electronically. Rather, participation is voluntary. If submitting a bid using infotech's Bid Express internet bidding service, no paper is required. If submitting an electronic bid on a CD, DVD or USB device delivered to the Authority in person or via a courier service, **bidders must also submit print outs that match the electronic file**. Project Bids prints a check code on every bid page that must match the check code in the computer file. As the check code changes every time the electronic file is modified, matching the codes verifies that the data on the printed bid is the same as in the electronic file. **In case of discrepancy, the printouts always prevail and are the primary legal document. Therefore, the printouts can be used to make any last-minute changes.**

### 3. THIRD-PARTY SOFTWARE:

The NYSTA endorses no particular product but expects all such vendors and individuals to voluntarily keep pace with changes in NYSTA specifications.

### 4. PROPOSAL NOTES AND CHANGES BY AMENDMENT:

**Contractors are solely responsible for recognizing and properly responding to any and all special notes and circumstances printed in the Contract Proposal and any and all changes by amendment from the amendment documents and/or notices communicated to them by the NYSTA's Contracts Unit.**

**Amendments are posted online at:** [www.thruway.ny.gov/business/contractors/documents/index.shtml](http://www.thruway.ny.gov/business/contractors/documents/index.shtml).

Whenever an amendment is issued, a Project Bids amendment file will also be issued and must be applied to your electronic bid. Do not bid without carefully reviewing the printed proposal and any and all changes by amendment. Proposal notes and circumstances include, but are not limited to, printed information on alternate, fixed and/or limited cost items and/or special circumstances regarding item placement and use.

**SPECIAL NOTE:****REQUIREMENTS FOR CONTRACTOR'S UTILIZATION OF AREAS  
OUTSIDE OF THE RIGHT-OF-WAY**

1. Before the Contractor can utilize any area outside of the NYS Thruway Authority (NYSTA) Right of Way (or outside of a temporary easement obtained for the project by the NYSTA, for any work associated with this project, written approval to do so shall be obtained from the NYS Thruway Authority through the Project Engineer. The Contractor's request for approval shall be in writing and the Authority shall be allowed 2 weeks to review the request and respond.
2. This requirement applies to areas such as, but not limited to: borrow areas, spoil areas, equipment and/or material storage areas, haul roads, batching areas, water points, shop areas, and all similar areas. This requirement does not apply to the Contractor's established and permanent headquarters, commercial borrow sources, commercial gravel pits, commercial quarries, and all similar areas.
3. The Contractor's written request for approval shall include a letter report prepared by an Environmental Professional, acceptable to the Authority, documenting the investigation of the proposed site. The expectation is that an Environmental Professional visits the site, performs an assessment of the proposed use against all applicable environmental requirements, and then documents their findings and recommendations. The letter report shall include the following unless otherwise authorized by the Authority:
  - a) A written description of the activities the contractor wishes to perform at the proposed site, including timeframes.
  - b) Maps showing Federal and State regulated wetlands. The area proposed for use shall be depicted on each map.
  - c) A site location map which accurately shows the area proposed for use, adjacent property boundaries/owners, the location of all wetland boundaries observed, and any required erosion and sediment control measures. If present, wetlands shall be delineated in the field by the Environmental Professional with stakes and ribbon, and wetland delineation data forms shall be completed.
  - d) A written statement prepared by the Environmental Professional regarding the presence of any rare animals or plants or significant natural communities. The Environmental Professional shall use the NYSDEC Environmental Resource Mapper to make this determination. If any rare species are identified, then determine if the rare species are listed as endangered or threatened and whether the NYSDEC determines the proposed use may be harmful to the species or their habitat. If so, address to the satisfaction of the NYSDEC.
  - e) A copy of the applicable SPDES permit and any local municipal permits related to use of the site.
  - f) A listing of other Environmental Permits which were obtained by the Authority for the project. These are referenced in the contract proposal.
  - g) A completed NYSTA Property Release form. The form is available through the Project Engineer.
  - h) A plan showing all restoration work. This includes, but is not limited to, plans for grading, surface restoration details, and erosion and sediment control.
4. This requirement does not waive other provisions of the contract related to use of lands outside the Right of Way. Rather, it shall be viewed as supplementary. The following contract provisions still remain in effect:

§107-08 Protection and Restoration of Property and Landscape, Subsection B. Outside the Right of Way  
§107-10 Managing Surplus Material and Waste

**COMPLIANCE WITH SPDES REGULATIONS**

The Contractor is advised that the NYS Thruway Authority has evaluated Stormwater requirements for this project and has determined that coverage is not warranted under NYS Department of Environmental Conservation's SPDES General Permit for Stormwater Discharges from Construction Activity (GP-0-20-001). The Contractor shall read and understand the requirements of GP-0-20-001. In the event the Contractor's operations, e.g., clearing and grubbing, expanded staging area; will cause an increase in ground disturbance beyond the amount identified in the Contract Documents, coverage under GP-0-20-001 may be required. Prior to commencing these operations, the Contractor should immediately advise the Project Engineer, who will in turn discuss the request with the Project Designer and Division Environmental Specialist or Environmental Point of Contact.

- In the event coverage is required under GP-0-20-001 as a result of these operations, the Contractor will be required to prepare a Stormwater Pollution Prevention Plan (SWPPP) and submit a Notice of Intent (NOI) with the NYS Department of Environmental Conservation.
- In the event coverage is required under GP-0-20-001 as a result of changes made by the Authority, the Authority will be required to prepare a SWPPP and submit a NOI.

In either case, the Contractor will not be allowed to proceed until verification of coverage under GP-0-20-001 has been provided to the Project Engineer. The Contractor shall make no claim against the Authority for delays resulting from preparing a SWPPP, filing a NOI, and seeking verification of permit coverage.



**Buffalo & New York Districts Final Regional Conditions, Water Quality Certification and Coastal Zone Concurrence for the 2021 Nationwide Permits for New York State  
Effective February 25, 2022 - Expiration March 14, 2026**

**Table of Contents:**

**A. Nationwide Permits Index**

**B. Nationwide Permit 3 – Maintenance**

- **Specific NW terms and notification requirements**
- **Buffalo & New York Districts Specific NWP Regional Conditions**
- **Specific NWP Water Quality Certification**
- **NYSDOS Specific NWP Coastal Zone Consistency Determination**

**C. Nationwide Permit General Conditions 1-32**

**D. District Engineer’s Decision**

**E. Further Information**

**F. Definitions**

**G. Buffalo and New York District Regional General Conditions A-F (applicable to all NWPs)**

**H. NYSDEC General Water Quality Conditions (applicable to all NWPs for which Water Quality Certification has been provided)**

**I. NYSDOS Coastal Zone Management Consistency Additional Information (applicable to all projects located within the NYS Coastal Zone)**

**J. Information on Nationwide Permit Verification**

**K. Agency Contact Information**

**ENCLOSURE 1: New York State Regulatory District Boundary Map**

**ENCLOSURE 2: NYC Water Supply – East of Hudson Watershed (for NY District Regional Conditions)**

**ENCLOSURE 3: Commercial Mooring Buoy Application Additional Information (for NY District Regional Conditions – not applicable within Buffalo District)**

**ENCLOSURE 4: Incident Report of Sea Turtle Take (for NY District Regional Conditions – not applicable within Buffalo District)**

**Buffalo & New York Districts Final Regional Conditions, Water Quality Certification and Coastal Zone Concurrence for the 2021 Nationwide Permits for New York State  
Effective February 25, 2022 - Expiration March 14, 2026**

**A. NATIONWIDE PERMITS INDEX:**

1. Aids to Navigation
2. Structures in Artificial Canals
3. Maintenance
4. Fish and Wildlife Harvesting, Enhancement and Attraction Devices and Activities
5. Scientific Measurement Devices
6. Survey Activities
7. Outfall Structures and Associated Intake Structures
8. Oil and Gas Structures on the Outer Continental Shelf
9. Structures in Fleeting and Anchorage Areas
10. Mooring Buoys
11. Temporary Recreational Structures
13. Bank Stabilization
14. Linear Transportation Projects
15. U.S. Coast Guard Approved Bridges
16. Return Water From Upland Contained Disposal Areas
17. Hydropower Projects
18. Minor Discharges
19. Minor Dredging
20. Response Operations for Oil or Hazardous Substances
22. Removal of Vessels
23. Approved Categorical Exclusions
24. Indian Tribe or State Administered Section 404 Programs
25. Structural Discharges
26. [Reserved]
27. Aquatic Habitat Restoration, Enhancement, and Establishment Activities
28. Modification of Existing Marinas
30. Moist Soil Management for Wildlife
31. Maintenance of Existing Flood Control Facilities
32. Completed Enforcement Actions
33. Temporary Construction, Access and Dewatering
34. Cranberry Production Activities
35. Maintenance Dredging of Existing Basins
36. Boat Ramps
37. Emergency Watershed Protection and Rehabilitation
38. Cleanup of Hazardous and Toxic Waste
41. Reshaping Existing Drainage and Irrigation Ditches
45. Repair of Uplands Damaged by Discrete Events
46. Discharges in Ditches
47. [Reserved]
49. Coal Mining Activities
53. Removal of Low-Head Dams
54. Living Shorelines
59. Water Reclamation and Reuse Facilities

**Buffalo & New York Districts Final Regional Conditions, Water Quality Certification and Coastal Zone Concurrence for the 2021 Nationwide Permits for New York State  
Effective February 25, 2022 - Expiration March 14, 2026**

**B. NATIONWIDE PERMITS**

**3. Maintenance.** (a) The repair, rehabilitation, or replacement of any previously authorized, currently serviceable structure or fill, or of any currently serviceable structure or fill authorized by 33 CFR 330.3, provided that the structure or fill is not to be put to uses differing from those uses specified or contemplated for it in the original permit or the most recently authorized modification. Minor deviations in the structure's configuration or filled area, including those due to changes in materials, construction techniques, requirements of other regulatory agencies, or current construction codes or safety standards that are necessary to make the repair, rehabilitation, or replacement are authorized. This NWP also authorizes the removal of previously authorized structures or fills. Any stream channel modification is limited to the minimum necessary for the repair, rehabilitation, or replacement of the structure or fill; such modifications, including the removal of material from the stream channel, must be immediately adjacent to the project. This NWP also authorizes the removal of accumulated sediment and debris within, and in the immediate vicinity of, the structure or fill. This NWP also authorizes the repair, rehabilitation, or replacement of those structures or fills destroyed or damaged by storms, floods, fire or other discrete events, provided the repair, rehabilitation, or replacement is commenced, or is under contract to commence, within two years of the date of their destruction or damage. In cases of catastrophic events, such as hurricanes or tornadoes, this two-year limit may be waived by the district engineer, provided the permittee can demonstrate funding, contract, or other similar delays.

(b) This NWP also authorizes the removal of accumulated sediments and debris outside the immediate vicinity of existing structures (e.g., bridges, culverted road crossings, water intake structures, etc.). The removal of sediment is limited to the minimum necessary to restore the waterway in the vicinity of the structure to the approximate dimensions that existed when the structure was built, but cannot extend farther than 200 feet in any direction from the structure. This 200 foot limit does not apply to maintenance dredging to remove accumulated sediments blocking or restricting outfall and intake structures or to maintenance dredging to remove accumulated sediments from canals associated with outfall and intake structures. All dredged or excavated materials must be deposited and retained in an area that has no waters of the United States unless otherwise specifically approved by the district engineer under separate authorization.

(c) This NWP also authorizes temporary structures, fills, and work, including the use of temporary mats, necessary to conduct the maintenance activity. Appropriate measures must be taken to maintain normal downstream flows and minimize flooding to the maximum extent practicable, when temporary structures, work, and discharges of dredged or fill material, including cofferdams, are necessary for construction activities, access fills, or dewatering of construction sites. Temporary fills must consist of materials, and be placed in a manner, that will not be eroded by expected high flows. After conducting the maintenance activity, temporary fills must be removed in their entirety and the affected areas returned to pre-construction elevations. The areas affected by temporary fills must be revegetated, as appropriate.

(d) This NWP does not authorize maintenance dredging for the primary purpose of navigation. This NWP does not authorize beach restoration. This NWP does not authorize new stream channelization or stream relocation projects.

**Notification:** For activities authorized by paragraph (b) of this NWP, the permittee must submit a pre-construction notification to the district engineer prior to commencing the activity (see general condition 32). The pre-construction notification must include information regarding the original design capacities and configurations of the outfalls, intakes, small impoundments, and canals. (Authorities: Section 10 of the Rivers and Harbors Act of 1899 and Section 404 of the Clean Water Act (Sections 10 and 404))

**Note:** This NWP authorizes the repair, rehabilitation, or replacement of any previously authorized structure or fill that does not qualify for the Clean Water Act Section 404(f) exemption for maintenance.

**Permit-specific Regional Conditions (Buffalo and New York Districts):**

- a. The Nationwide General Permit Condition No. 32 – Pre-Construction Notification (PCN) for activities

**Buffalo & New York Districts Final Regional Conditions, Water Quality Certification and Coastal Zone Concurrence for the 2021 Nationwide Permits for New York State Effective February 25, 2022 - Expiration March 14, 2026**

proposed under NWP 3.b. involving the removal of accumulated sediments and debris in the vicinity of existing structures to restore the waterway to previously existing depths, must include evidence of such depths. Such evidence may include but is not limited to construction drawings of the original structure; or project drawings of past excavation activities in the vicinity. If this information is not available, the PCN must include evidence of the existing depths immediately outside the proposed work area.

b. Every effort should be made to prevent additional encroachment into the beds of New York waterbodies. All repair or rehabilitation activities should focus on using the area immediately landward of the existing structure. Bulkhead replacement shall be completed in-place or landward of the existing structure where practicable. When that is not practicable, a PCN shall be required for any encroachment proposed within tidal waters of the U.S. or any extensions, excluding the placement of toe stone protection recommended/required by state/federal resource agencies (i.e. NYSDEC, NYSDOS, USFWS & USEPA), which exceed 18 inches waterward of the existing bulkhead within non-tidal waters. The PCN must include justification for a waterward extension of the bulkhead (e.g. geologic conditions, engineering requirements, etc.).

**New York District Only Permit-specific Regional Conditions:**

c. As discussed in Section G-E.8. below, if any work is proposed within Essential Fish Habitat (EFH) or within areas supporting anadromous fish migration and spawning, sediment removal and pile and sheet pile/cofferdam installation and removal shall be avoided from March 1 to June 30 of any year. Work within cofferdams can proceed any time during the year provided that the cofferdams are installed or removed outside of the seasonal work restriction. A PCN is required if a variance of this seasonal work window is requested.

d. Within Essential Fish Habitat (EFH), if any work is proposed within areas identified as EFH for winter flounder eggs and larvae, in-water work shall be avoided from January 15 to May 31 of any year. A PCN is required if a variance of this seasonal work window is requested.

e. Within EFH, as discussed in Section G-E.8. below, if any work is proposed within 50 feet of submerged aquatic vegetation (SAV), a map generated from the SAV data tools in Note 5 or a current SAV survey of the area shall be included with a PCN to USACE for coordination with National Marine Fisheries Service (NMFS).

f. If tide gate replacement or maintenance is proposed, tide gates shall be replaced with self-regulating tide gates that allow tidal flow and fish passage but can be set to close at a specified water level, unless it can be demonstrated that a self-regulating tide gate would not be practicable due to ecological or public safety reasons. A PCN is required for all tide gate replacements and maintenance in which a one-way gate is proposed. The PCN shall describe fully the existing conditions of the tide gate and the habitat upstream of the gate and include documentation of its condition, function and maintenance over the previous decade.

**REMINDER TO APPLICANT:** For projects involving culvert maintenance or replacement, please take particular note of the requirements of General Regional Conditions B.1 and B.2. below. For projects involving aerial transmission lines, note clearance requirements as outlined in 33 CFR 322.5(i) (See NWP #57).

**Section 401 Water Quality Certification (WQC):**

The WQC has been denied for this NWP by the following certifying authorities:

i. New York State Department of Public Services (NYSDPS) for activities that relate to the construction and operation of major natural gas or electric transmission facilities undertaken pursuant to New York State Public Service Law (PSL) Article VII.

**Buffalo & New York Districts Final Regional Conditions, Water Quality Certification and Coastal Zone Concurrence for the 2021 Nationwide Permits for New York State Effective February 25, 2022 - Expiration March 14, 2026**

- ii. New York State Office of Renewable Energy Siting (NYSORES) for activities that relate to the construction and operation of major renewable electric generating facilities undertaken pursuant to New York State Executive Law Article 6, Section 94-C.
- iii. New York State Board on Electric Generation Siting and the Environment (Siting Board) for activities that relate to new and repowered or modified major electric generating facilities of 25 megawatts or more undertaken pursuant to PSL Article 10.
- iv. U.S. Environmental Protection Agency (USEPA), as the certifying agency for the seven federally recognized Indian Nations in New York (Cayuga Nation, Onondaga Nation, Oneida Nation of Indians, Seneca Nation of Indians, Shinnecock Indian Nation, Tonawanda Seneca Nation, and Tuscarora Nation) for all activities occurring on these tribal lands.
- v. Saint Regis Mohawk Tribe for all activities occurring on Saint Regis Mohawk Tribal land.

The New York State Department of Environmental Conservation (NYSDEC) has granted blanket WQC, for those activities not outlined above, provided that the project complies with **all** the General Conditions listed below in Section H. Where the Special Conditions differ from the General Conditions, the Special Conditions shall prevail.

Any party conducting proposing to conduct the activities authorized by this NWP where the WQC has been denied or that cannot comply with all of the NYSDEC WQC conditions must apply for and obtain an individual WQC or waiver thereof from the appropriate certifying authority. Refer to Section K below for agency contact information.

**New York State Department of State Coastal Zone Management Consistency Determination:**

Pursuant to 15 CFR Part 930.41 and 930.43, the New York State Department of State (NYSDOS) concurs with the USACE' consistency determination for this NWP with which all general and all Buffalo and New York District regional conditions are complied and with the additional condition(s), as follows:

- The NYSDOS concurs with the USACE' consistency determination for projects outside of Marine and Coastal District Waters (all tidal waters south of the Governor Mario M. Cuomo Bridge) within or affecting the NYS Coastal Area where the activities to be authorized primarily involve the repair/replacement in-place or landward of a lawful structure or fill, with no waterward expansion or increase in footprint;
- The NYSDOS concurs with the USACE' consistency determination for projects authorized by New York State Department of Environmental Conservation (DEC) [under General Permit GP-0-20-004 Great Lakes Erosion Control General Permit](#);
- The NYSDOS concurs with the USACE' consistency determination for projects proposed solely within the artificial canals identified by NYSDOS at: <https://www.dos.ny.gov/opd/atlas/>.

For activities that do not comply with the above conditions, the NYSDOS objects to the USACE' consistency determination and therefore, an individual consistency determination from NYSDOS is required for this NWP to be valid in the New York coastal area. Activities authorized pursuant to this Nationwide Permit shall be submitted to NYSDOS for review by the applicant. NYSDOS will review the proposed activities pursuant to 15 CFR Part 930 Subpart D. NYSDOS concurrence with an applicant's consistency certification shall not be presumed unless NYSDOS fails to concur with or object to an applicant's consistency certification within six (6) months of commencement of NYSDOS' review of an applicant's consistency certification and all necessary data and information in accordance with 15 CFR § 930.62 or § 930.63. See Section I below for further information.

**Buffalo & New York Districts Final Regional Conditions, Water Quality Certification and Coastal Zone Concurrence for the 2021 Nationwide Permits for New York State  
Effective February 25, 2022 - Expiration March 14, 2026**

**C. NATIONWIDE PERMIT GENERAL CONDITIONS**

**Note:** To qualify for NWP authorization, the prospective permittee must comply with the following general conditions, as applicable, in addition to any regional or case-specific conditions imposed by the division engineer or district engineer. Prospective permittees should contact the appropriate Corps district office to determine if regional conditions have been imposed on an NWP. Prospective permittees should also contact the appropriate Corps district office to determine the status of Clean Water Act Section 401 water quality certification and/or Coastal Zone Management Act consistency for an NWP. Every person who may wish to obtain permit authorization under one or more NWPs, or who is currently relying on an existing or prior permit authorization under one or more NWPs, has been and is on notice that all of the provisions of 33 CFR 330.1 through 330.6 apply to every NWP authorization. Note especially 33 CFR 330.5 relating to the modification, suspension, or revocation of any NWP authorization.

**1. Navigation.** (a) No activity may cause more than a minimal adverse effect on navigation.

(b) Any safety lights and signals prescribed by the U.S. Coast Guard, through regulations or otherwise, must be installed and maintained at the permittee's expense on authorized facilities in navigable waters of the United States.

(c) The permittee understands and agrees that, if future operations by the United States require the removal, relocation, or other alteration, of the structure or work herein authorized, or if, in the opinion of the Secretary of the Army or his or her authorized representative, said structure or work shall cause unreasonable obstruction to the free navigation of the navigable waters, the permittee will be required, upon due notice from the Corps of Engineers, to remove, relocate, or alter the structural work or obstructions caused thereby, without expense to the United States. No claim shall be made against the United States on account of any such removal or alteration.

**2. Aquatic Life Movements.** No activity may substantially disrupt the necessary life cycle movements of those species of aquatic life indigenous to the waterbody, including those species that normally migrate through the area, unless the activity's primary purpose is to impound water. All permanent and temporary crossings of waterbodies shall be suitably culverted, bridged, or otherwise designed and constructed to maintain low flows to sustain the movement of those aquatic species. If a bottomless culvert cannot be used, then the crossing should be designed and constructed to minimize adverse effects to aquatic life movements.

**3. Spawning Areas.** Activities in spawning areas during spawning seasons must be avoided to the maximum extent practicable. Activities that result in the physical destruction (e.g., through excavation, fill, or downstream smothering by substantial turbidity) of an important spawning area are not authorized.

**4. Migratory Bird Breeding Areas.** Activities in waters of the United States that serve as breeding areas for migratory birds must be avoided to the maximum extent practicable.

**5. Shellfish Beds.** No activity may occur in areas of concentrated shellfish populations, unless the activity is directly related to a shellfish harvesting activity authorized by NWPs 4 and 48, or is a shellfish seeding or habitat restoration activity authorized by NWP 27.

**6. Suitable Material.** No activity may use unsuitable material (e.g., trash, debris, car bodies, asphalt, etc.). Material used for construction or discharged must be free from toxic pollutants in toxic amounts (see section 307 of the Clean Water Act).

**7. Water Supply Intakes.** No activity may occur in the proximity of a public water supply intake, except where the activity is for the repair or improvement of public water supply intake structures or adjacent bank stabilization.

**Buffalo & New York Districts Final Regional Conditions, Water Quality Certification and Coastal Zone Concurrence for the 2021 Nationwide Permits for New York State  
Effective February 25, 2022 - Expiration March 14, 2026**

**8. Adverse Effects From Impoundments.** If the activity creates an impoundment of water, adverse effects to the aquatic system due to accelerating the passage of water, and/or restricting its flow must be minimized to the maximum extent practicable.

**9. Management of Water Flows.** To the maximum extent practicable, the pre-construction course, condition, capacity, and location of open waters must be maintained for each activity, including stream channelization, storm water management activities, and temporary and permanent road crossings, except as provided below. The activity must be constructed to withstand expected high flows. The activity must not restrict or impede the passage of normal or high flows, unless the primary purpose of the activity is to impound water or manage high flows. The activity may alter the pre-construction course, condition, capacity, and location of open waters if it benefits the aquatic environment (e.g., stream restoration or relocation activities).

**10. Fills Within 100-Year Floodplains.** The activity must comply with applicable FEMA-approved state or local floodplain management requirements.

**11. Equipment.** Heavy equipment working in wetlands or mudflats must be placed on mats, or other measures must be taken to minimize soil disturbance.

**12. Soil Erosion and Sediment Controls.** Appropriate soil erosion and sediment controls must be used and maintained in effective operating condition during construction, and all exposed soil and other fills, as well as any work below the ordinary high water mark or high tide line, must be permanently stabilized at the earliest practicable date. Permittees are encouraged to perform work within waters of the United States during periods of low-flow or no-flow, or during low tides.

**13. Removal of Temporary Structures and Fills.** Temporary structures must be removed, to the maximum extent practicable, after their use has been discontinued. Temporary fills must be removed in their entirety and the affected areas returned to pre-construction elevations. The affected areas must be revegetated, as appropriate.

**14. Proper Maintenance.** Any authorized structure or fill shall be properly maintained, including maintenance to ensure public safety and compliance with applicable NWP general conditions, as well as any activity-specific conditions added by the district engineer to an NWP authorization.

**15. Single and Complete Project.** The activity must be a single and complete project. The same NWP cannot be used more than once for the same single and complete project.

**16. Wild and Scenic Rivers.** (a) No NWP activity may occur in a component of the National Wild and Scenic River System, or in a river officially designated by Congress as a "study river" for possible inclusion in the system while the river is in an official study status, unless the appropriate Federal agency with direct management responsibility for such river, has determined in writing that the proposed activity will not adversely affect the Wild and Scenic River designation or study status.

(b) If a proposed NWP activity will occur in a component of the National Wild and Scenic River System, or in a river officially designated by Congress as a "study river" for possible inclusion in the system while the river is in an official study status, the permittee must submit a pre-construction notification (see general condition 32). The district engineer will coordinate the PCN with the Federal agency with direct management responsibility for that river. Permittees shall not begin the NWP activity until notified by the district engineer that the Federal agency with direct management responsibility for that river has determined in writing that the proposed NWP activity will not adversely affect the Wild and Scenic River designation or study status.

(c) Information on Wild and Scenic Rivers may be obtained from the appropriate Federal land management agency responsible for the designated Wild and Scenic River or study river (e.g., National Park Service, U.S. Forest Service, Bureau of Land Management, U.S. Fish and Wildlife Service). Information on these rivers is also available at: <http://www.rivers.gov/>.

**Buffalo & New York Districts Final Regional Conditions, Water Quality Certification and  
Coastal Zone Concurrence for the 2021 Nationwide Permits for New York State  
Effective February 25, 2022 - Expiration March 14, 2026**

**17. Tribal Rights.** No activity or its operation may impair reserved tribal rights, including, but not limited to, reserved water rights and treaty fishing and hunting rights.

**18. Endangered Species.** (a) No activity is authorized under any NWP which is likely to directly or indirectly jeopardize the continued existence of a threatened or endangered species or a species proposed for such designation, as identified under the Federal Endangered Species Act (ESA), or which will directly or indirectly destroy or adversely modify designated critical habitat or critical habitat proposed for such designation. No activity is authorized under any NWP which “may affect” a listed species or critical habitat unless ESA section 7 consultation addressing the consequences of the proposed activity on listed species or critical habitat has been completed. See 50 CFR 402.02 for the definition of “effects of the action” for the purposes of ESA section 7 consultation, as well as 50 CFR 402.17, which provides further explanation under ESA section 7 regarding “activities that are reasonably certain to occur” and “consequences caused by the proposed action.”

(b) Federal agencies should follow their own procedures for complying with the requirements of the ESA (see 33 CFR 330.4(f)(1)). If pre-construction notification is required for the proposed activity, the Federal permittee must provide the district engineer with the appropriate documentation to demonstrate compliance with those requirements. The district engineer will verify that the appropriate documentation has been submitted. If the appropriate documentation has not been submitted, additional ESA section 7 consultation may be necessary for the activity and the respective federal agency would be responsible for fulfilling its obligation under section 7 of the ESA.

(c) Non-federal permittees must submit a pre-construction notification to the district engineer if any listed species (or species proposed for listing) or designated critical habitat (or critical habitat proposed such designation) might be affected or is in the vicinity of the activity, or if the activity is located in designated critical habitat or critical habitat proposed for such designation, and shall not begin work on the activity until notified by the district engineer that the requirements of the ESA have been satisfied and that the activity is authorized. For activities that might affect Federally-listed endangered or threatened species (or species proposed for listing) or designated critical habitat (or critical habitat proposed for such designation), the pre-construction notification must include the name(s) of the endangered or threatened species (or species proposed for listing) that might be affected by the proposed activity or that utilize the designated critical habitat (or critical habitat proposed for such designation) that might be affected by the proposed activity. The district engineer will determine whether the proposed activity “may affect” or will have “no effect” to listed species and designated critical habitat and will notify the non-Federal applicant of the Corps’ determination within 45 days of receipt of a complete pre-construction notification. For activities where the non-Federal applicant has identified listed species (or species proposed for listing) or designated critical habitat (or critical habitat proposed for such designation) that might be affected or is in the vicinity of the activity, and has so notified the Corps, the applicant shall not begin work until the Corps has provided notification that the proposed activity will have “no effect” on listed species (or species proposed for listing or designated critical habitat (or critical habitat proposed for such designation), or until ESA section 7 consultation or conference has been completed. If the non-Federal applicant has not heard back from the Corps within 45 days, the applicant must still wait for notification from the Corps.

(d) As a result of formal or informal consultation or conference with the FWS or NMFS the district engineer may add species-specific permit conditions to the NWPs.

(e) Authorization of an activity by an NWP does not authorize the “take” of a threatened or endangered species as defined under the ESA. In the absence of separate authorization (e.g., an ESA Section 10 Permit, a Biological Opinion with “incidental take” provisions, etc.) from the FWS or the NMFS, the Endangered Species Act prohibits any person subject to the jurisdiction of the United States to take a listed species, where “take” means to harass, harm, pursue, hunt, shoot, wound, kill, trap, capture, or collect, or to attempt to engage in any such conduct. The word “harm” in the definition of “take” means an act which actually kills or injures wildlife. Such an act may include significant habitat modification or



**Buffalo & New York Districts Final Regional Conditions, Water Quality Certification and Coastal Zone Concurrence for the 2021 Nationwide Permits for New York State  
Effective February 25, 2022 - Expiration March 14, 2026**

degradation where it actually kills or injures wildlife by significantly impairing essential behavioral patterns, including breeding, feeding or sheltering.

(f) If the non-federal permittee has a valid ESA section 10(a)(1)(B) incidental take permit with an approved Habitat Conservation Plan for a project or a group of projects that includes the proposed NWP activity, the non-federal applicant should provide a copy of that ESA section 10(a)(1)(B) permit with the PCN required by paragraph (c) of this general condition. The district engineer will coordinate with the agency that issued the ESA section 10(a)(1)(B) permit to determine whether the proposed NWP activity and the associated incidental take were considered in the internal ESA section 7 consultation conducted for the ESA section 10(a)(1)(B) permit. If that coordination results in concurrence from the agency that the proposed NWP activity and the associated incidental take were considered in the internal ESA section 7 consultation for the ESA section 10(a)(1)(B) permit, the district engineer does not need to conduct a separate ESA section 7 consultation for the proposed NWP activity. The district engineer will notify the non-federal applicant within 45 days of receipt of a complete pre-construction notification whether the ESA section 10(a)(1)(B) permit covers the proposed NWP activity or whether additional ESA section 7 consultation is required.

(g) Information on the location of threatened and endangered species and their critical habitat can be obtained directly from the offices of the FWS and NMFS or their world wide web pages at <http://www.fws.gov/> or <http://www.fws.gov/ipac> and <http://www.nmfs.noaa.gov/pr/species/esa/> respectively.

**19. Migratory Birds and Bald and Golden Eagles.** The permittee is responsible for ensuring that an action authorized by an NWP complies with the Migratory Bird Treaty Act and the Bald and Golden Eagle Protection Act. The permittee is responsible for contacting the appropriate local office of the U.S. Fish and Wildlife Service to determine what measures, if any, are necessary or appropriate to reduce adverse effects to migratory birds or eagles, including whether "incidental take" permits are necessary and available under the Migratory Bird Treaty Act or Bald and Golden Eagle Protection Act for a particular activity.

**20. Historic Properties.** (a) No activity is authorized under any NWP which may have the potential to cause effects to properties listed, or eligible for listing, in the National Register of Historic Places until the requirements of Section 106 of the National Historic Preservation Act (NHPA) have been satisfied.

(b) Federal permittees should follow their own procedures for complying with the requirements of section 106 of the National Historic Preservation Act (see 33 CFR 330.4(g)(1)). If pre-construction notification is required for the proposed NWP activity, the Federal permittee must provide the district engineer with the appropriate documentation to demonstrate compliance with those requirements. The district engineer will verify that the appropriate documentation has been submitted. If the appropriate documentation is not submitted, then additional consultation under section 106 may be necessary. The respective federal agency is responsible for fulfilling its obligation to comply with section 106.

(c) Non-federal permittees must submit a pre-construction notification to the district engineer if the NWP activity might have the potential to cause effects to any historic properties listed on, determined to be eligible for listing on, or potentially eligible for listing on the National Register of Historic Places, including previously unidentified properties. For such activities, the pre-construction notification must state which historic properties might have the potential to be affected by the proposed NWP activity or include a vicinity map indicating the location of the historic properties or the potential for the presence of historic properties. Assistance regarding information on the location of, or potential for, the presence of historic properties can be sought from the State Historic Preservation Officer, Tribal Historic Preservation Officer, or designated tribal representative, as appropriate, and the National Register of Historic Places (see 33 CFR 330.4(g)). When reviewing pre-construction notifications, district engineers will comply with the current procedures for addressing the requirements of section 106 of the National Historic Preservation Act. The district engineer shall make a reasonable and good faith effort to carry out appropriate identification efforts commensurate with potential impacts, which may include background research, consultation, oral history interviews, sample field investigation, and/or field survey. Based on the information submitted in the PCN and these identification efforts, the district

**Buffalo & New York Districts Final Regional Conditions, Water Quality Certification and Coastal Zone Concurrence for the 2021 Nationwide Permits for New York State  
Effective February 25, 2022 - Expiration March 14, 2026**

engineer shall determine whether the proposed NWP activity has the potential to cause effects on the historic properties. Section 106 consultation is not required when the district engineer determines that the activity does not have the potential to cause effects on historic properties (see 36 CFR 800.3(a)). Section 106 consultation is required when the district engineer determines that the activity has the potential to cause effects on historic properties. The district engineer will conduct consultation with consulting parties identified under 36 CFR 800.2(c) when he or she makes any of the following effect determinations for the purposes of section 106 of the NHPA: no historic properties affected, no adverse effect, or adverse effect.

(d) Where the non-Federal applicant has identified historic properties on which the proposed NWP activity might have the potential to cause effects and has so notified the Corps, the non-Federal applicant shall not begin the activity until notified by the district engineer either that the activity has no potential to cause effects to historic properties or that NHPA section 106 consultation has been completed. For non-federal permittees, the district engineer will notify the prospective permittee within 45 days of receipt of a complete pre-construction notification whether NHPA section 106 consultation is required. If NHPA section 106 consultation is required, the district engineer will notify the non-Federal applicant that he or she cannot begin the activity until section 106 consultation is completed. If the non-Federal applicant has not heard back from the Corps within 45 days, the applicant must still wait for notification from the Corps.

(e) Prospective permittees should be aware that section 110k of the NHPA (54 U.S.C. 306113) prevents the Corps from granting a permit or other assistance to an applicant who, with intent to avoid the requirements of section 106 of the NHPA, has intentionally significantly adversely affected a historic property to which the permit would relate, or having legal power to prevent it, allowed such significant adverse effect to occur, unless the Corps, after consultation with the Advisory Council on Historic Preservation (ACHP), determines that circumstances justify granting such assistance despite the adverse effect created or permitted by the applicant. If circumstances justify granting the assistance, the Corps is required to notify the ACHP and provide documentation specifying the circumstances, the degree of damage to the integrity of any historic properties affected, and proposed mitigation. This documentation must include any views obtained from the applicant, SHPO/THPO, appropriate Indian tribes if the undertaking occurs on or affects historic properties on tribal lands or affects properties of interest to those tribes, and other parties known to have a legitimate interest in the impacts to the permitted activity on historic properties.

**21. Discovery of Previously Unknown Remains and Artifacts.** Permittees that discover any previously unknown historic, cultural or archeological remains and artifacts while accomplishing the activity authorized by an NWP, they must immediately notify the district engineer of what they have found, and to the maximum extent practicable, avoid construction activities that may affect the remains and artifacts until the required coordination has been completed. The district engineer will initiate the Federal, Tribal, and state coordination required to determine if the items or remains warrant a recovery effort or if the site is eligible for listing in the National Register of Historic Places.

**22. Designated Critical Resource Waters.** Critical resource waters include, NOAA-managed marine sanctuaries and marine monuments, and National Estuarine Research Reserves. The district engineer may designate, after notice and opportunity for public comment, additional waters officially designated by a state as having particular environmental or ecological significance, such as outstanding national resource waters or state natural heritage sites. The district engineer may also designate additional critical resource waters after notice and opportunity for public comment.

(a) Discharges of dredged or fill material into waters of the United States are not authorized by NWPs 7, 12, 14, 16, 17, 21, 29, 31, 35, 39, 40, 42, 43, 44, 49, 50, 51, 52, 57 and 58 for any activity within, or directly affecting, critical resource waters, including wetlands adjacent to such waters.

(b) For NWPs 3, 8, 10, 13, 15, 18, 19, 22, 23, 25, 27, 28, 30, 33, 34, 36, 37, 38, and 54, notification is required in accordance with general condition 32, for any activity proposed by permittees in the designated critical resource waters including wetlands adjacent to those waters. The district engineer

**Buffalo & New York Districts Final Regional Conditions, Water Quality Certification and Coastal Zone Concurrence for the 2021 Nationwide Permits for New York State Effective February 25, 2022 - Expiration March 14, 2026**

may authorize activities under these NWP's only after she or he determines that the impacts to the critical resource waters will be no more than minimal.

**23. Mitigation.** The district engineer will consider the following factors when determining appropriate and practicable mitigation necessary to ensure that the individual and cumulative adverse environmental effects are no more than minimal:

(a) The activity must be designed and constructed to avoid and minimize adverse effects, both temporary and permanent, to waters of the United States to the maximum extent practicable at the project site (i.e., on site).

(b) Mitigation in all its forms (avoiding, minimizing, rectifying, reducing, or compensating for resource losses) will be required to the extent necessary to ensure that the individual and cumulative adverse environmental effects are no more than minimal.

(c) Compensatory mitigation at a minimum one-for-one ratio will be required for all wetland losses that exceed 1/10-acre and require pre-construction notification, unless the district engineer determines in writing that either some other form of mitigation would be more environmentally appropriate or the adverse environmental effects of the proposed activity are no more than minimal, and provides an activity-specific waiver of this requirement. For wetland losses of 1/10-acre or less that require pre-construction notification, the district engineer may determine on a case-by-case basis that compensatory mitigation is required to ensure that the activity results in only minimal adverse environmental effects.

(d) Compensatory mitigation at a minimum one-for-one ratio will be required for all losses of stream bed that exceed 3/100-acre and require pre-construction notification, unless the district engineer determines in writing that either some other form of mitigation would be more environmentally appropriate or the adverse environmental effects of the proposed activity are no more than minimal, and provides an activity-specific waiver of this requirement. This compensatory mitigation requirement may be satisfied through the restoration or enhancement of riparian areas next to streams in accordance with paragraph (e) of this general condition. For losses of stream bed of 3/100-acre or less that require pre-construction notification, the district engineer may determine on a case-by-case basis that compensatory mitigation is required to ensure that the activity results in only minimal adverse environmental effects. Compensatory mitigation for losses of streams should be provided, if practicable, through stream rehabilitation, enhancement, or preservation, since streams are difficult-to-replace resources (see 33 CFR 332.3(e)(3)).

(e) Compensatory mitigation plans for NWP activities in or near streams or other open waters will normally include a requirement for the restoration or enhancement, maintenance, and legal protection (e.g., conservation easements) of riparian areas next to open waters. In some cases, the restoration or maintenance/protection of riparian areas may be the only compensatory mitigation required. If restoring riparian areas involves planting vegetation, only native species should be planted. The width of the required riparian area will address documented water quality or aquatic habitat loss concerns. Normally, the riparian area will be 25 to 50 feet wide on each side of the stream, but the district engineer may require slightly wider riparian areas to address documented water quality or habitat loss concerns. If it is not possible to restore or maintain/protect a riparian area on both sides of a stream, or if the waterbody is a lake or coastal waters, then restoring or maintaining/protecting a riparian area along a single bank or shoreline may be sufficient. Where both wetlands and open waters exist on the project site, the district engineer will determine the appropriate compensatory mitigation (e.g., riparian areas and/or wetlands compensation) based on what is best for the aquatic environment on a watershed basis. In cases where riparian areas are determined to be the most appropriate form of minimization or compensatory mitigation, the district engineer may waive or reduce the requirement to provide wetland compensatory mitigation for wetland losses.

(f) Compensatory mitigation projects provided to offset losses of aquatic resources must comply with the applicable provisions of 33 CFR part 332.

**Buffalo & New York Districts Final Regional Conditions, Water Quality Certification and Coastal Zone Concurrence for the 2021 Nationwide Permits for New York State  
Effective February 25, 2022 - Expiration March 14, 2026**

- (1) The prospective permittee is responsible for proposing an appropriate compensatory mitigation option if compensatory mitigation is necessary to ensure that the activity results in no more than minimal adverse environmental effects. For the NWP, the preferred mechanism for providing compensatory mitigation is mitigation bank credits or in-lieu fee program credits (see 33 CFR 332.3(b)(2) and (3)). However, if an appropriate number and type of mitigation bank or in-lieu credits are not available at the time the PCN is submitted to the district engineer, the district engineer may approve the use of permittee-responsible mitigation.
- (2) The amount of compensatory mitigation required by the district engineer must be sufficient to ensure that the authorized activity results in no more than minimal individual and cumulative adverse environmental effects (see 33 CFR 330.1(e)(3)). (See also 33 CFR 332.3(f).)
- (3) Since the likelihood of success is greater and the impacts to potentially valuable uplands are reduced, aquatic resource restoration should be the first compensatory mitigation option considered for permittee-responsible mitigation.
- (4) If permittee-responsible mitigation is the proposed option, the prospective permittee is responsible for submitting a mitigation plan. A conceptual or detailed mitigation plan may be used by the district engineer to make the decision on the NWP verification request, but a final mitigation plan that addresses the applicable requirements of 33 CFR 332.4(c)(2) through (14) must be approved by the district engineer before the permittee begins work in waters of the United States, unless the district engineer determines that prior approval of the final mitigation plan is not practicable or not necessary to ensure timely completion of the required compensatory mitigation (see 33 CFR 332.3(k)(3)). If permittee-responsible mitigation is the proposed option, and the proposed compensatory mitigation site is located on land in which another federal agency holds an easement, the district engineer will coordinate with that federal agency to determine if proposed compensatory mitigation project is compatible with the terms of the easement.
- (5) If mitigation bank or in-lieu fee program credits are the proposed option, the mitigation plan needs to address only the baseline conditions at the impact site and the number of credits to be provided (see 33 CFR 332.4(c)(1)(ii)).
- (6) Compensatory mitigation requirements (e.g., resource type and amount to be provided as compensatory mitigation, site protection, ecological performance standards, monitoring requirements) may be addressed through conditions added to the NWP authorization, instead of components of a compensatory mitigation plan (see 33 CFR 332.4(c)(1)(ii)).
- (g) Compensatory mitigation will not be used to increase the acreage losses allowed by the acreage limits of the NWP. For example, if an NWP has an acreage limit of 1/2-acre, it cannot be used to authorize any NWP activity resulting in the loss of greater than 1/2-acre of waters of the United States, even if compensatory mitigation is provided that replaces or restores some of the lost waters. However, compensatory mitigation can and should be used, as necessary, to ensure that an NWP activity already meeting the established acreage limits also satisfies the no more than minimal impact requirement for the NWP.
- (h) Permittees may propose the use of mitigation banks, in-lieu fee programs, or permittee-responsible mitigation. When developing a compensatory mitigation proposal, the permittee must consider appropriate and practicable options consistent with the framework at 33 CFR 332.3(b). For activities resulting in the loss of marine or estuarine resources, permittee-responsible mitigation may be environmentally preferable if there are no mitigation banks or in-lieu fee programs in the area that have marine or estuarine credits available for sale or transfer to the permittee. For permittee-responsible mitigation, the special conditions of the NWP verification must clearly indicate the party or parties responsible for the implementation and performance of the compensatory mitigation project, and, if required, its long-term management.

**Buffalo & New York Districts Final Regional Conditions, Water Quality Certification and Coastal Zone Concurrence for the 2021 Nationwide Permits for New York State  
Effective February 25, 2022 - Expiration March 14, 2026**

(i) Where certain functions and services of waters of the United States are permanently adversely affected by a regulated activity, such as discharges of dredged or fill material into waters of the United States that will convert a forested or scrub-shrub wetland to a herbaceous wetland in a permanently maintained utility line right-of-way, mitigation may be required to reduce the adverse environmental effects of the activity to the no more than minimal level.

**24. Safety of Impoundment Structures.** To ensure that all impoundment structures are safely designed, the district engineer may require non-Federal applicants to demonstrate that the structures comply with established state or federal, dam safety criteria or have been designed by qualified persons. The district engineer may also require documentation that the design has been independently reviewed by similarly qualified persons, and appropriate modifications made to ensure safety.

**25. Water Quality.** (a) Where the certifying authority (state, authorized tribe, or EPA, as appropriate) has not previously certified compliance of an NWP with CWA section 401, a CWA section 401 water quality certification for the proposed discharge must be obtained or waived (see 33 CFR 330.4(c)). If the permittee cannot comply with all of the conditions of a water quality certification previously issued by certifying authority for the issuance of the NWP, then the permittee must obtain a water quality certification or waiver for the proposed discharge in order for the activity to be authorized by an NWP.

(b) If the NWP activity requires pre-construction notification and the certifying authority has not previously certified compliance of an NWP with CWA section 401, the proposed discharge is not authorized by an NWP until water quality certification is obtained or waived. If the certifying authority issues a water quality certification for the proposed discharge, the permittee must submit a copy of the certification to the district engineer. The discharge is not authorized by an NWP until the district engineer has notified the permittee that the water quality certification requirement has been satisfied by the issuance of a water quality certification or a waiver.

(c) The district engineer or certifying authority may require additional water quality management measures to ensure that the authorized activity does not result in more than minimal degradation of water quality.

**26. Coastal Zone Management.** In coastal states where an NWP has not previously received a state coastal zone management consistency concurrence, an individual state coastal zone management consistency concurrence must be obtained, or a presumption of concurrence must occur (see 33 CFR 330.4(d)). If the permittee cannot comply with all of the conditions of a coastal zone management consistency concurrence previously issued by the state, then the permittee must obtain an individual coastal zone management consistency concurrence or presumption of concurrence in order for the activity to be authorized by an NWP. The district engineer or a state may require additional measures to ensure that the authorized activity is consistent with state coastal zone management requirements.

**27. Regional and Case-By-Case Conditions.** The activity must comply with any regional conditions that may have been added by the Division Engineer (see 33 CFR 330.4(e)) and with any case specific conditions added by the Corps or by the state, Indian Tribe, or U.S. EPA in its CWA section 401 Water Quality Certification, or by the state in its Coastal Zone Management Act consistency determination.

**28. Use of Multiple Nationwide Permits.** The use of more than one NWP for a single and complete project is authorized, subject to the following restrictions:

(a) If only one of the NWPs used to authorize the single and complete project has a specified acreage limit, the acreage loss of waters of the United States cannot exceed the acreage limit of the NWP with the highest specified acreage limit. For example, if a road crossing over tidal waters is constructed under NWP 14, with associated bank stabilization authorized by NWP 13, the maximum acreage loss of waters of the United States for the total project cannot exceed 1/3-acre.

(b) If one or more of the NWPs used to authorize the single and complete project has specified acreage limits, the acreage loss of waters of the United States authorized by those NWPs cannot exceed their

**Buffalo & New York Districts Final Regional Conditions, Water Quality Certification and Coastal Zone Concurrence for the 2021 Nationwide Permits for New York State  
Effective February 25, 2022 - Expiration March 14, 2026**

respective specified acreage limits. For example, if a commercial development is constructed under NWP 39, and the single and complete project includes the filling of an upland ditch authorized by NWP 46, the maximum acreage loss of waters of the United States for the commercial development under NWP 39 cannot exceed 1/2-acre, and the total acreage loss of waters of United States due to the NWP 39 and 46 activities cannot exceed 1 acre.

**29. Transfer of Nationwide Permit Verifications.** If the permittee sells the property associated with a nationwide permit verification, the permittee may transfer the nationwide permit verification to the new owner by submitting a letter to the appropriate Corps district office to validate the transfer. A copy of the nationwide permit verification must be attached to the letter, and the letter must contain the following statement and signature:

“When the structures or work authorized by this nationwide permit are still in existence at the time the property is transferred, the terms and conditions of this nationwide permit, including any special conditions, will continue to be binding on the new owner(s) of the property. To validate the transfer of this nationwide permit and the associated liabilities associated with compliance with its terms and conditions, have the transferee sign and date below.”

\_\_\_\_\_  
(Transferee)

\_\_\_\_\_  
(Date)

**30. Compliance Certification.** Each permittee who receives an NWP verification letter from the Corps must provide a signed certification documenting completion of the authorized activity and implementation of any required compensatory mitigation. The success of any required permittee-responsible mitigation, including the achievement of ecological performance standards, will be addressed separately by the district engineer. The Corps will provide the permittee the certification document with the NWP verification letter. The certification document will include:

- (a) A statement that the authorized activity was done in accordance with the NWP authorization, including any general, regional, or activity-specific conditions;
- (b) A statement that the implementation of any required compensatory mitigation was completed in accordance with the permit conditions. If credits from a mitigation bank or in-lieu fee program are used to satisfy the compensatory mitigation requirements, the certification must include the documentation required by 33 CFR 332.3(l)(3) to confirm that the permittee secured the appropriate number and resource type of credits; and
- (c) The signature of the permittee certifying the completion of the activity and mitigation.

The completed certification document must be submitted to the district engineer within 30 days of completion of the authorized activity or the implementation of any required compensatory mitigation, whichever occurs later.

**31. Activities Affecting Structures or Works Built by the United States.** If an NWP activity also requires review by, or permission from, the Corps pursuant to 33 U.S.C. 408 because it will alter or temporarily or permanently occupy or use a U.S. Army Corps of Engineers (USACE) federally authorized Civil Works project (a “USACE project”), the prospective permittee must submit a pre-construction notification. See paragraph (b)(10) of general condition 32. An activity that requires section 408 permission and/or review is not authorized by an NWP until the appropriate Corps office issues the section 408 permission or completes its review to alter, occupy, or use the USACE project, and the district engineer issues a written NWP verification.

**Buffalo & New York Districts Final Regional Conditions, Water Quality Certification and Coastal Zone Concurrence for the 2021 Nationwide Permits for New York State  
Effective February 25, 2022 - Expiration March 14, 2026**

**32. Pre-Construction Notification.**

(a) Timing. Where required by the terms of the NWP, the prospective permittee must notify the district engineer by submitting a pre-construction notification (PCN) as early as possible. The district engineer must determine if the PCN is complete within 30 calendar days of the date of receipt and, if the PCN is determined to be incomplete, notify the prospective permittee within that 30 day period to request the additional information necessary to make the PCN complete. The request must specify the information needed to make the PCN complete. As a general rule, district engineers will request additional information necessary to make the PCN complete only once. However, if the prospective permittee does not provide all of the requested information, then the district engineer will notify the prospective permittee that the PCN is still incomplete and the PCN review process will not commence until all of the requested information has been received by the district engineer. The prospective permittee shall not begin the activity until either:

(1) He or she is notified in writing by the district engineer that the activity may proceed under the NWP with any special conditions imposed by the district or division engineer; or

(2) 45 calendar days have passed from the district engineer's receipt of the complete PCN and the prospective permittee has not received written notice from the district or division engineer. However, if the permittee was required to notify the Corps pursuant to general condition 18 that listed species or critical habitat might be affected or are in the vicinity of the activity, or to notify the Corps pursuant to general condition 20 that the activity might have the potential to cause effects to historic properties, the permittee cannot begin the activity until receiving written notification from the Corps that there is "no effect" on listed species or "no potential to cause effects" on historic properties, or that any consultation required under Section 7 of the Endangered Species Act (see 33 CFR 330.4(f)) and/or section 106 of the National Historic Preservation Act (see 33 CFR 330.4(g)) has been completed. If the proposed activity requires a written waiver to exceed specified limits of an NWP, the permittee may not begin the activity until the district engineer issues the waiver. If the district or division engineer notifies the permittee in writing that an individual permit is required within 45 calendar days of receipt of a complete PCN, the permittee cannot begin the activity until an individual permit has been obtained. Subsequently, the permittee's right to proceed under the NWP may be modified, suspended, or revoked only in accordance with the procedure set forth in 33 CFR 330.5(d)(2).

(b) Contents of Pre-Construction Notification: The PCN must be in writing and include the following information:

(1) Name, address and telephone numbers of the prospective permittee;

(2) Location of the proposed activity;

(3) Identify the specific NWP or NWP(s) the prospective permittee wants to use to authorize the proposed activity;

(4) (i) A description of the proposed activity; the activity's purpose; direct and indirect adverse environmental effects the activity would cause, including the anticipated amount of loss of wetlands, other special aquatic sites, and other waters expected to result from the NWP activity, in acres, linear feet, or other appropriate unit of measure; a description of any proposed mitigation measures intended to reduce the adverse environmental effects caused by the proposed activity; and any other NWP(s), regional general permit(s), or individual permit(s) used or intended to be used to authorize any part of the proposed project or any related activity, including other separate and distant crossings for linear projects that require Department of the Army authorization but do not require pre-construction notification. The description of the proposed activity and any proposed mitigation measures should be sufficiently detailed to allow the district engineer to determine that the adverse environmental effects of the activity will be no more than minimal and to determine the need for compensatory mitigation or other mitigation measures.

**Buffalo & New York Districts Final Regional Conditions, Water Quality Certification and Coastal Zone Concurrence for the 2021 Nationwide Permits for New York State  
Effective February 25, 2022 - Expiration March 14, 2026**

(ii) For linear projects where one or more single and complete crossings require pre-construction notification, the PCN must include the quantity of anticipated losses of wetlands, other special aquatic sites, and other waters for each single and complete crossing of those wetlands, other special aquatic sites, and other waters (including those single and complete crossings authorized by an NWP but do not require PCNs). This information will be used by the district engineer to evaluate the cumulative adverse environmental effects of the proposed linear project, and does not change those non-PCN NWP activities into NWP PCNs.

(iii) Sketches should be provided when necessary to show that the activity complies with the terms of the NWP. (Sketches usually clarify the activity and when provided results in a quicker decision. Sketches should contain sufficient detail to provide an illustrative description of the proposed activity (e.g., a conceptual plan), but do not need to be detailed engineering plans);

(5) The PCN must include a delineation of wetlands, other special aquatic sites, and other waters, such as lakes and ponds, and perennial and intermittent streams, on the project site. Wetland delineations must be prepared in accordance with the current method required by the Corps. The permittee may ask the Corps to delineate the special aquatic sites and other waters on the project site, but there may be a delay if the Corps does the delineation, especially if the project site is large or contains many wetlands, other special aquatic sites, and other waters. Furthermore, the 45-day period will not start until the delineation has been submitted to or completed by the Corps, as appropriate;

(6) If the proposed activity will result in the loss of greater than 1/10-acre of wetlands or 3/100-acre of stream bed and a PCN is required, the prospective permittee must submit a statement describing how the mitigation requirement will be satisfied, or explaining why the adverse environmental effects are no more than minimal and why compensatory mitigation should not be required. As an alternative, the prospective permittee may submit a conceptual or detailed mitigation plan.

(7) For non-federal permittees, if any listed species (or species proposed for listing) or designated critical habitat (or critical habitat proposed for such designation) might be affected or is in the vicinity of the activity, or if the activity is located in designated critical habitat (or critical habitat proposed for such designation), the PCN must include the name(s) of those endangered or threatened species (or species proposed for listing) that might be affected by the proposed activity or utilize the designated critical habitat (or critical habitat proposed for such designation) that might be affected by the proposed activity. For NWP activities that require pre-construction notification, Federal permittees must provide documentation demonstrating compliance with the Endangered Species Act;

(8) For non-federal permittees, if the NWP activity might have the potential to cause effects to a historic property listed on, determined to be eligible for listing on, or potentially eligible for listing on, the National Register of Historic Places, the PCN must state which historic property might have the potential to be affected by the proposed activity or include a vicinity map indicating the location of the historic property. For NWP activities that require pre-construction notification, Federal permittees must provide documentation demonstrating compliance with section 106 of the National Historic Preservation Act;

(9) For an activity that will occur in a component of the National Wild and Scenic River System, or in a river officially designated by Congress as a "study river" for possible inclusion in the system while the river is in an official study status, the PCN must identify the Wild and Scenic River or the "study river" (see general condition 16); and

(10) For an NWP activity that requires permission from, or review by, the Corps pursuant to 33 U.S.C. 408 because it will alter or temporarily or permanently occupy or use a U.S. Army Corps of Engineers federally authorized civil works project, the pre-construction notification must include a statement confirming that the project proponent has submitted a written request for section 408 permission from, or review by, the Corps office having jurisdiction over that USACE project.

(c) Form of Pre-Construction Notification: The nationwide permit pre-construction notification form (Form ENG 6082) should be used for NWP PCNs. A letter containing the required information may also be



**Buffalo & New York Districts Final Regional Conditions, Water Quality Certification and Coastal Zone Concurrence for the 2021 Nationwide Permits for New York State  
Effective February 25, 2022 - Expiration March 14, 2026**

used. Applicants may provide electronic files of PCNs and supporting materials if the district engineer has established tools and procedures for electronic submittals.

(d) Agency Coordination:

(1) The district engineer will consider any comments from Federal and state agencies concerning the proposed activity's compliance with the terms and conditions of the NWP's and the need for mitigation to reduce the activity's adverse environmental effects so that they are no more than minimal.

(2) Agency coordination is required for: (i) all NWP activities that require pre-construction notification and result in the loss of greater than 1/2-acre of waters of the United States; (ii) NWP 13 activities in excess of 500 linear feet, fills greater than one cubic yard per running foot, or involve discharges of dredged or fill material into special aquatic sites; and (iii) NWP 54 activities in excess of 500 linear feet, or that extend into the waterbody more than 30 feet from the mean low water line in tidal waters or the ordinary high water mark in the Great Lakes.

(3) When agency coordination is required, the district engineer will immediately provide (e.g., via e-mail, facsimile transmission, overnight mail, or other expeditious manner) a copy of the complete PCN to the appropriate Federal or state offices (FWS, state natural resource or water quality agency, EPA, and, if appropriate, the NMFS). With the exception of NWP 37, these agencies will have 10 calendar days from the date the material is transmitted to notify the district engineer via telephone, facsimile transmission, or e-mail that they intend to provide substantive, site-specific comments. The comments must explain why the agency believes the adverse environmental effects will be more than minimal. If so contacted by an agency, the district engineer will wait an additional 15 calendar days before making a decision on the pre-construction notification. The district engineer will fully consider agency comments received within the specified time frame concerning the proposed activity's compliance with the terms and conditions of the NWP's, including the need for mitigation to ensure that the net adverse environmental effects of the proposed activity are no more than minimal. The district engineer will provide no response to the resource agency, except as provided below. The district engineer will indicate in the administrative record associated with each pre-construction notification that the resource agencies' concerns were considered. For NWP 37, the emergency watershed protection and rehabilitation activity may proceed immediately in cases where there is an unacceptable hazard to life or a significant loss of property or economic hardship will occur. The district engineer will consider any comments received to decide whether the NWP 37 authorization should be modified, suspended, or revoked in accordance with the procedures at 33 CFR 330.5.

(4) In cases of where the prospective permittee is not a Federal agency, the district engineer will provide a response to NMFS within 30 calendar days of receipt of any Essential Fish Habitat conservation recommendations, as required by section 305(b)(4)(B) of the Magnuson-Stevens Fishery Conservation and Management Act.

(5) Applicants are encouraged to provide the Corps with either electronic files or multiple copies of pre-construction notifications to expedite agency coordination.

**D. DISTRICT ENGINEER'S DECISION**

1. In reviewing the PCN for the proposed activity, the district engineer will determine whether the activity authorized by the NWP will result in more than minimal individual or cumulative adverse environmental effects or may be contrary to the public interest. If a project proponent requests authorization by a specific NWP, the district engineer should issue the NWP verification for that activity if it meets the terms and conditions of that NWP, unless he or she determines, after considering mitigation, that the proposed activity will result in more than minimal individual and cumulative adverse effects on the aquatic environment and other aspects of the public interest and exercises discretionary authority to require an individual permit for the proposed activity. For a linear project, this determination will include an evaluation of the single and complete crossings of waters of the United States that require PCNs to determine whether they individually satisfy the terms and conditions of the NWP(s), as well as the cumulative effects caused by all of the crossings of waters of the United States authorized by an NWP. If an applicant requests a waiver of an

**Buffalo & New York Districts Final Regional Conditions, Water Quality Certification and Coastal Zone Concurrence for the 2021 Nationwide Permits for New York State Effective February 25, 2022 - Expiration March 14, 2026**

applicable limit, as provided for in NWP 13, 36, or 54, the district engineer will only grant the waiver upon a written determination that the NWP activity will result in only minimal individual and cumulative adverse environmental effects.

2. When making minimal adverse environmental effects determinations the district engineer will consider the direct and indirect effects caused by the NWP activity. He or she will also consider the cumulative adverse environmental effects caused by activities authorized by an NWP and whether those cumulative adverse environmental effects are no more than minimal. The district engineer will also consider site specific factors, such as the environmental setting in the vicinity of the NWP activity, the type of resource that will be affected by the NWP activity, the functions provided by the aquatic resources that will be affected by the NWP activity, the degree or magnitude to which the aquatic resources perform those functions, the extent that aquatic resource functions will be lost as a result of the NWP activity (e.g., partial or complete loss), the duration of the adverse effects (temporary or permanent), the importance of the aquatic resource functions to the region (e.g., watershed or ecoregion), and mitigation required by the district engineer. If an appropriate functional or condition assessment method is available and practicable to use, that assessment method may be used by the district engineer to assist in the minimal adverse environmental effects determination. The district engineer may add case-specific special conditions to the NWP authorization to address site-specific environmental concerns.

3. If the proposed activity requires a PCN and will result in a loss of greater than 1/10-acre of wetlands or 3/100-acre of stream bed, the prospective permittee should submit a mitigation proposal with the PCN. Applicants may also propose compensatory mitigation for NWP activities with smaller impacts, or for impacts to other types of waters. The district engineer will consider any proposed compensatory mitigation or other mitigation measures the applicant has included in the proposal in determining whether the net adverse environmental effects of the proposed activity are no more than minimal. The compensatory mitigation proposal may be either conceptual or detailed. If the district engineer determines that the activity complies with the terms and conditions of the NWP and that the adverse environmental effects are no more than minimal, after considering mitigation, the district engineer will notify the permittee and include any activity-specific conditions in the NWP verification the district engineer deems necessary. Conditions for compensatory mitigation requirements must comply with the appropriate provisions at 33 CFR 332.3(k). The district engineer must approve the final mitigation plan before the permittee commences work in waters of the United States, unless the district engineer determines that prior approval of the final mitigation plan is not practicable or not necessary to ensure timely completion of the required compensatory mitigation. If the prospective permittee elects to submit a compensatory mitigation plan with the PCN, the district engineer will expeditiously review the proposed compensatory mitigation plan. The district engineer must review the proposed compensatory mitigation plan within 45 calendar days of receiving a complete PCN and determine whether the proposed mitigation would ensure that the NWP activity results in no more than minimal adverse environmental effects. If the net adverse environmental effects of the NWP activity (after consideration of the mitigation proposal) are determined by the district engineer to be no more than minimal, the district engineer will provide a timely written response to the applicant. The response will state that the NWP activity can proceed under the terms and conditions of the NWP, including any activity-specific conditions added to the NWP authorization by the district engineer.

4. If the district engineer determines that the adverse environmental effects of the proposed activity are more than minimal, then the district engineer will notify the applicant either: (a) that the activity does not qualify for authorization under the NWP and instruct the applicant on the procedures to seek authorization under an individual permit; (b) that the activity is authorized under the NWP subject to the applicant's submission of a mitigation plan that would reduce the adverse environmental effects so that they are no more than minimal; or (c) that the activity is authorized under the NWP with specific modifications or conditions. Where the district engineer determines that mitigation is required to ensure no more than minimal adverse environmental effects, the activity will be authorized within the 45-day PCN period (unless additional time is required to comply with general conditions 18, 20, and/or 31), with activity-specific conditions that state the mitigation requirements. The authorization will include the necessary conceptual or detailed mitigation plan or a requirement that the applicant submit a mitigation plan that would reduce the adverse environmental effects so that they are no more than minimal. When compensatory mitigation is required, no work in waters of the United States may occur until the district engineer has approved a

**Buffalo & New York Districts Final Regional Conditions, Water Quality Certification and Coastal Zone Concurrence for the 2021 Nationwide Permits for New York State  
Effective February 25, 2022 - Expiration March 14, 2026**

specific mitigation plan or has determined that prior approval of a final mitigation plan is not practicable or not necessary to ensure timely completion of the required compensatory mitigation.

**E. FURTHER INFORMATION**

1. District engineers have authority to determine if an activity complies with the terms and conditions of an NWP.
2. NWPs do not obviate the need to obtain other federal, state, or local permits, approvals, or authorizations required by law.
3. NWPs do not grant any property rights or exclusive privileges.
4. NWPs do not authorize any injury to the property or rights of others.
5. NWPs do not authorize interference with any existing or proposed Federal project (see general condition 31).

**F. DEFINITIONS**

Best management practices (BMPs): Policies, practices, procedures, or structures implemented to mitigate the adverse environmental effects on surface water quality resulting from development. BMPs are categorized as structural or non-structural.

Compensatory mitigation: The restoration (re-establishment or rehabilitation), establishment (creation), enhancement, and/or in certain circumstances preservation of aquatic resources for the purposes of offsetting unavoidable adverse impacts which remain after all appropriate and practicable avoidance and minimization has been achieved.

Currently serviceable: Useable as is or with some maintenance, but not so degraded as to essentially require reconstruction.

Direct effects: Effects that are caused by the activity and occur at the same time and place.

Discharge: The term “discharge” means any discharge of dredged or fill material into waters of the United States.

Ecological reference: A model used to plan and design an aquatic habitat and riparian area restoration, enhancement, or establishment activity under NWP 27. An ecological reference may be based on the structure, functions, and dynamics of an aquatic habitat type or a riparian area type that currently exists in the region where the proposed NWP 27 activity is located. Alternatively, an ecological reference may be based on a conceptual model for the aquatic habitat type or riparian area type to be restored, enhanced, or established as a result of the proposed NWP 27 activity. An ecological reference takes into account the range of variation of the aquatic habitat type or riparian area type in the region.

Enhancement: The manipulation of the physical, chemical, or biological characteristics of an aquatic resource to heighten, intensify, or improve a specific aquatic resource function(s). Enhancement results in the gain of selected aquatic resource function(s), but may also lead to a decline in other aquatic resource function(s). Enhancement does not result in a gain in aquatic resource area.

Establishment (creation): The manipulation of the physical, chemical, or biological characteristics present to develop an aquatic resource that did not previously exist at an upland site. Establishment results in a gain in aquatic resource area.

High Tide Line: The line of intersection of the land with the water’s surface at the maximum height reached by a rising tide. The high tide line may be determined, in the absence of actual data, by a line

**Buffalo & New York Districts Final Regional Conditions, Water Quality Certification and Coastal Zone Concurrence for the 2021 Nationwide Permits for New York State  
Effective February 25, 2022 - Expiration March 14, 2026**

of oil or scum along shore objects, a more or less continuous deposit of fine shell or debris on the foreshore or berm, other physical markings or characteristics, vegetation lines, tidal gages, or other suitable means that delineate the general height reached by a rising tide. The line encompasses spring high tides and other high tides that occur with periodic frequency but does not include storm surges in which there is a departure from the normal or predicted reach of the tide due to the piling up of water against a coast by strong winds such as those accompanying a hurricane or other intense storm.

Historic Property: Any prehistoric or historic district, site (including archaeological site), building, structure, or other object included in, or eligible for inclusion in, the National Register of Historic Places maintained by the Secretary of the Interior. This term includes artifacts, records, and remains that are related to and located within such properties. The term includes properties of traditional religious and cultural importance to an Indian tribe or Native Hawaiian organization and that meet the National Register criteria (36 CFR part 60).

Independent utility: A test to determine what constitutes a single and complete non-linear project in the Corps Regulatory Program. A project is considered to have independent utility if it would be constructed absent the construction of other projects in the project area. Portions of a multi-phase project that depend upon other phases of the project do not have independent utility. Phases of a project that would be constructed even if the other phases were not built can be considered as separate single and complete projects with independent utility.

Indirect effects: Effects that are caused by the activity and are later in time or farther removed in distance, but are still reasonably foreseeable.

Loss of waters of the United States: Waters of the United States that are permanently adversely affected by filling, flooding, excavation, or drainage because of the regulated activity. The loss of stream bed includes the acres of stream bed that are permanently adversely affected by filling or excavation because of the regulated activity. Permanent adverse effects include permanent discharges of dredged or fill material that change an aquatic area to dry land, increase the bottom elevation of a waterbody, or change the use of a waterbody. The acreage of loss of waters of the United States is a threshold measurement of the impact to jurisdictional waters or wetlands for determining whether a project may qualify for an NWP; it is not a net threshold that is calculated after considering compensatory mitigation that may be used to offset losses of aquatic functions and services. Waters of the United States temporarily filled, flooded, excavated, or drained, but restored to pre-construction contours and elevations after construction, are not included in the measurement of loss of waters of the United States. Impacts resulting from activities that do not require Department of the Army authorization, such as activities eligible for exemptions under section 404(f) of the Clean Water Act, are not considered when calculating the loss of waters of the United States.

Navigable waters: Waters subject to section 10 of the Rivers and Harbors Act of 1899. These waters are defined at 33 CFR part 329.

Non-tidal wetland: A non-tidal wetland is a wetland that is not subject to the ebb and flow of tidal waters. Non-tidal wetlands contiguous to tidal waters are located landward of the high tide line (i.e., spring high tide line).

Open water: For purposes of the NWPs, an open water is any area that in a year with normal patterns of precipitation has water flowing or standing above ground to the extent that an ordinary high water mark can be determined. Aquatic vegetation within the area of flowing or standing water is either non-emergent, sparse, or absent. Vegetated shallows are considered to be open waters. Examples of "open waters" include rivers, streams, lakes, and ponds.

Ordinary High Water Mark: The term ordinary high water mark means that line on the shore established by the fluctuations of water and indicated by physical characteristics such as a clear, natural line impressed on the bank, shelving, changes in the character of soil, destruction of terrestrial vegetation,

**Buffalo & New York Districts Final Regional Conditions, Water Quality Certification and Coastal Zone Concurrence for the 2021 Nationwide Permits for New York State Effective February 25, 2022 - Expiration March 14, 2026**

the presence of litter and debris, or other appropriate means that consider the characteristics of the surrounding areas.

Perennial stream: A perennial stream has surface water flowing continuously year-round during a typical year.

Practicable: Available and capable of being done after taking into consideration cost, existing technology, and logistics in light of overall project purposes.

Pre-construction notification: A request submitted by the project proponent to the Corps for confirmation that a particular activity is authorized by nationwide permit. The request may be a permit application, letter, or similar document that includes information about the proposed work and its anticipated environmental effects. Pre-construction notification may be required by the terms and conditions of a nationwide permit, or by regional conditions. A pre-construction notification may be voluntarily submitted in cases where pre-construction notification is not required and the project proponent wants confirmation that the activity is authorized by nationwide permit.

Preservation: The removal of a threat to, or preventing the decline of, aquatic resources by an action in or near those aquatic resources. This term includes activities commonly associated with the protection and maintenance of aquatic resources through the implementation of appropriate legal and physical mechanisms. Preservation does not result in a gain of aquatic resource area or functions.

Re-establishment: The manipulation of the physical, chemical, or biological characteristics of a site with the goal of returning natural/historic functions to a former aquatic resource. Re-establishment results in rebuilding a former aquatic resource and results in a gain in aquatic resource area and functions.

Rehabilitation: The manipulation of the physical, chemical, or biological characteristics of a site with the goal of repairing natural/historic functions to a degraded aquatic resource. Rehabilitation results in a gain in aquatic resource function, but does not result in a gain in aquatic resource area.

Restoration: The manipulation of the physical, chemical, or biological characteristics of a site with the goal of returning natural/historic functions to a former or degraded aquatic resource. For the purpose of tracking net gains in aquatic resource area, restoration is divided into two categories: re-establishment and rehabilitation.

Riffle and pool complex: Riffle and pool complexes are special aquatic sites under the 404(b)(1) Guidelines. Riffle and pool complexes sometimes characterize steep gradient sections of streams. Such stream sections are recognizable by their hydraulic characteristics. The rapid movement of water over a coarse substrate in riffles results in a rough flow, a turbulent surface, and high dissolved oxygen levels in the water. Pools are deeper areas associated with riffles. A slower stream velocity, a streaming flow, a smooth surface, and a finer substrate characterize pools.

Riparian areas: Riparian areas are lands next to streams, lakes, and estuarine-marine shorelines. Riparian areas are transitional between terrestrial and aquatic ecosystems, through which surface and subsurface hydrology connects riverine, lacustrine, estuarine, and marine waters with their adjacent wetlands, non-wetland waters, or uplands. Riparian areas provide a variety of ecological functions and services and help improve or maintain local water quality. (See general condition 23.)

Shellfish seeding: The placement of shellfish seed and/or suitable substrate to increase shellfish production. Shellfish seed consists of immature individual shellfish or individual shellfish attached to shells or shell fragments (i.e., spat on shell). Suitable substrate may consist of shellfish shells, shell fragments, or other appropriate materials placed into waters for shellfish habitat.

Single and complete linear project: A linear project is a project constructed for the purpose of getting people, goods, or services from a point of origin to a terminal point, which often involves multiple crossings of one or more waterbodies at separate and distant locations. The term "single and complete

**Buffalo & New York Districts Final Regional Conditions, Water Quality Certification and Coastal Zone Concurrence for the 2021 Nationwide Permits for New York State Effective February 25, 2022 - Expiration March 14, 2026**

project” is defined as that portion of the total linear project proposed or accomplished by one owner/developer or partnership or other association of owners/developers that includes all crossings of a single water of the United States (i.e., a single waterbody) at a specific location. For linear projects crossing a single or multiple waterbodies several times at separate and distant locations, each crossing is considered a single and complete project for purposes of NWP authorization. However, individual channels in a braided stream or river, or individual arms of a large, irregularly shaped wetland or lake, etc., are not separate waterbodies, and crossings of such features cannot be considered separately.

Single and complete non-linear project: For non-linear projects, the term “single and complete project” is defined at 33 CFR 330.2(i) as the total project proposed or accomplished by one owner/developer or partnership or other association of owners/developers. A single and complete non-linear project must have independent utility (see definition of “independent utility”). Single and complete non-linear projects may not be “piecemealed” to avoid the limits in an NWP authorization.

Stormwater management: Stormwater management is the mechanism for controlling stormwater runoff for the purposes of reducing downstream erosion, water quality degradation, and flooding and mitigating the adverse effects of changes in land use on the aquatic environment.

Stormwater management facilities: Stormwater management facilities are those facilities, including but not limited to, stormwater retention and detention ponds and best management practices, which retain water for a period of time to control runoff and/or improve the quality (i.e., by reducing the concentration of nutrients, sediments, hazardous substances and other pollutants) of stormwater runoff.

Stream bed: The substrate of the stream channel between the ordinary high water marks. The substrate may be bedrock or inorganic particles that range in size from clay to boulders. Wetlands contiguous to the stream bed, but outside of the ordinary high water marks, are not considered part of the stream bed.

Stream channelization: The manipulation of a stream’s course, condition, capacity, or location that causes more than minimal interruption of normal stream processes. A channelized jurisdictional stream remains a water of the United States.

Structure: An object that is arranged in a definite pattern of organization. Examples of structures include, without limitation, any pier, boat dock, boat ramp, wharf, dolphin, weir, boom, breakwater, bulkhead, revetment, riprap, jetty, artificial island, artificial reef, permanent mooring structure, power transmission line, permanently moored floating vessel, piling, aid to navigation, or any other manmade obstacle or obstruction.

Tidal wetland: A tidal wetland is a jurisdictional wetland that is inundated by tidal waters. Tidal waters rise and fall in a predictable and measurable rhythm or cycle due to the gravitational pulls of the moon and sun. Tidal waters end where the rise and fall of the water surface can no longer be practically measured in a predictable rhythm due to masking by other waters, wind, or other effects. Tidal wetlands are located channelward of the high tide line.

Tribal lands: Any lands title to which is either: 1) held in trust by the United States for the benefit of any Indian tribe or individual; or 2) held by any Indian tribe or individual subject to restrictions by the United States against alienation.

Tribal rights: Those rights legally accruing to a tribe or tribes by virtue of inherent sovereign authority, unextinguished aboriginal title, treaty, statute, judicial decisions, executive order or agreement, and that give rise to legally enforceable remedies.

Vegetated shallows: Vegetated shallows are special aquatic sites under the 404(b)(1) Guidelines. They are areas that are permanently inundated and under normal circumstances have rooted aquatic vegetation, such as seagrasses in marine and estuarine systems and a variety of vascular rooted plants in freshwater systems.

**Buffalo & New York Districts Final Regional Conditions, Water Quality Certification and Coastal Zone Concurrence for the 2021 Nationwide Permits for New York State  
Effective February 25, 2022 - Expiration March 14, 2026**

Waterbody: For purposes of the NWP's, a waterbody is a "water of the United States." If a wetland is adjacent to a waterbody determined to be a water of the United States, that waterbody and any adjacent wetlands are considered together as a single aquatic unit (see 33 CFR 328.4(c)(2)).

**G. BUFFALO & NEW YORK DISTRICT GENERAL REGIONAL CONDITIONS**

These conditions apply to ALL Nationwide Permits.

**G-A. Construction Best Management Practices (BMP's):** Unless specifically approved otherwise through issuance of a variance by the District Engineer, the following BMP's must be implemented to the maximum degree practicable, to minimize erosion, migration of sediments, and adverse environmental impacts. Note that at a minimum, all erosion and sediment control and stormwater management practices must be designed, installed and maintained throughout the entire construction project in accordance with the latest version of the *New York Standards and Specifications for Erosion and Sediment Control* and the *New York State Stormwater Management Design Manual*. These documents are available at: <http://www.dec.ny.gov/chemical/29066.html> and <http://www.dec.ny.gov/chemical/29072.html>, respectively. Prior to the discharge of any dredged or fill material into waters of the United States, including wetlands, authorized by NWP, the permittee must install and maintain erosion and sedimentation controls in and/or adjacent to wetlands or other waters of the United States.

1. All synthetic erosion control features (e.g., silt fencing, netting, mats), which are intended for temporary use during construction, shall be completely removed and properly disposed of after their initial purpose has been served. Only natural fiber materials, which will degrade over time, may be abandoned in place.
2. Materials resulting from trench excavation for utility line installation or ditch reshaping activities which are temporarily sidecast or stockpiled into waters of the United States must be backfilled or removed to an upland area within 30 days of the date of deposition. Note: Upland options shall be utilized prior to temporary placement within waters of the U.S., unless it can be demonstrated that it would not be practicable or if the impacts of complying with this upland option requirement would result in more adverse impacts to the aquatic environment.
3. For trenching activities in wetlands the applicant shall install impermeable trench dams or trench breakers at the wetland boundaries and every 100 feet within wetland areas to prevent inadvertent drainage of wetlands or other waters of the United States.
4. Dry stream crossing methods (e.g., diversion, dam and pump, flume, bore) shall be utilized for culvert or other pipe, or utility installations to reduce downstream impacts from turbidity and sedimentation. This may require piping or pumping the stream flow around the work area and the use of cofferdams.
5. No in-stream work shall occur during periods of high flow, except for work that occurs in dewatered areas behind temporary diversions, cofferdams or causeways.
6. Construction access and staging areas shall be by means that avoid or minimize impacts to aquatic sites (e.g. use of upland areas for access & staging, floating barges, mats, etc.). Discharges of fill material associated with the construction of temporary access roads, staging areas and work pads in wetlands shall be placed on filter fabric. All temporary fills shall be removed upon completion of the work and the disturbed area restored to pre-construction contours, elevations and wetland conditions, including cover type. All vegetation utilized in the restoration activity shall consist of native species.
7. All return flow from dredged material disposal areas shall not result in an increase in turbidity in the receiving water body that will cause a substantial visible contrast to natural conditions. (See NWP #16)
8. For activities involving the placement of concrete into waters of the U.S., the permittee must employ watertight forms. The forms shall be dewatered prior to the placement of the concrete. The use of

**Buffalo & New York Districts Final Regional Conditions, Water Quality Certification and Coastal Zone Concurrence for the 2021 Nationwide Permits for New York State Effective February 25, 2022 - Expiration March 14, 2026**

tremie concrete is allowed, provided that it complies with New York State water quality standards.

9. New stormwater management facilities shall be located outside of waters of the U.S. A variance of this requirement may be requested with the submission of a PCN. The PCN must include justification which demonstrates that avoidance and minimization efforts have been met.

10. To the maximum extent practicable, the placement of fill in wetlands must be designed to maintain pre-construction surface water flows/conditions between remaining on or off-site waters and to prevent draining of the wetland or permanent hydrologic alteration. This may require the use of culverts and/or other measures. Furthermore, the activity must not restrict or impede the passage of normal or expected high flows (unless the primary purpose of the fill is to impound waters). The activity may alter the pre-construction flows/conditions if it can be shown that it benefits the aquatic environment (i.e. wetland restoration and/or enhancement).

11. Stone aprons and scour protection placed in streams shall not extend higher than the stream bed in order to create a uniform grade and shall be filled with native stream bed material and supplemented with similarly sized material, if needed, to fill interstitial spaces to maintain water flow on the surface of the stream bed.

## **G-B. CULVERTS**

1. **ALL NEW OR REPLACEMENT CULVERTS IN STREAMS**, to the extent they are regulated, shall be constructed/installed in accordance with the following, in order to ensure compliance with NWP General Condition #2 – Aquatic Life Movement and #9 – Management of Water Flows:

a. Size: Bank-full flows shall be accommodated through maintenance of the existing bank-full channel cross sectional dimensions within a single culvert. Bank-full width is generally considered to be the top width at the stage where a stream begins to overtop its banks and spread into the floodplain. A bottomless culvert or bridge must be used to span the stream channel where practicable. If the stream cannot be spanned, the culvert width shall be minimum of 1.25 times width of the stream channel at the ordinary high water, which is generally equivalent to the width of the channel during the 2-year design storm.

b. Depth: To maintain low flow and aquatic life movement within culverts with a bottom, the culvert invert, including end sections, must be embedded. Specifically, the culvert must be installed with its bottom buried below the grade of the stream bed, as measured at the average low point, to a depth of a minimum of 20 percent of the culvert vertical rise (height) throughout the length of the culvert. (Note: When not practicable to do so due to small culvert size, it is acceptable to allow natural deposition to cover the interior of the culvert bed following placement of the culvert invert to the 20% depth.)

c. The dimension, pattern, and profile of the stream above and below the stream crossing shall not be permanently modified by changing the width or depth of the stream channel.

d. The culvert bed slope shall remain consistent with the slope of the adjacent stream channel.

Note 1: Use of the requirements alone will not satisfy the need for proper engineering and design. In particular, appropriate engineering is required to ensure structures are sized and designed to provide adequate capacity (to pass various flood flows) and stability (bed, bed forms, footings and abutments, both upstream and downstream). It is the permittee's responsibility to ensure the structure is appropriately designed.

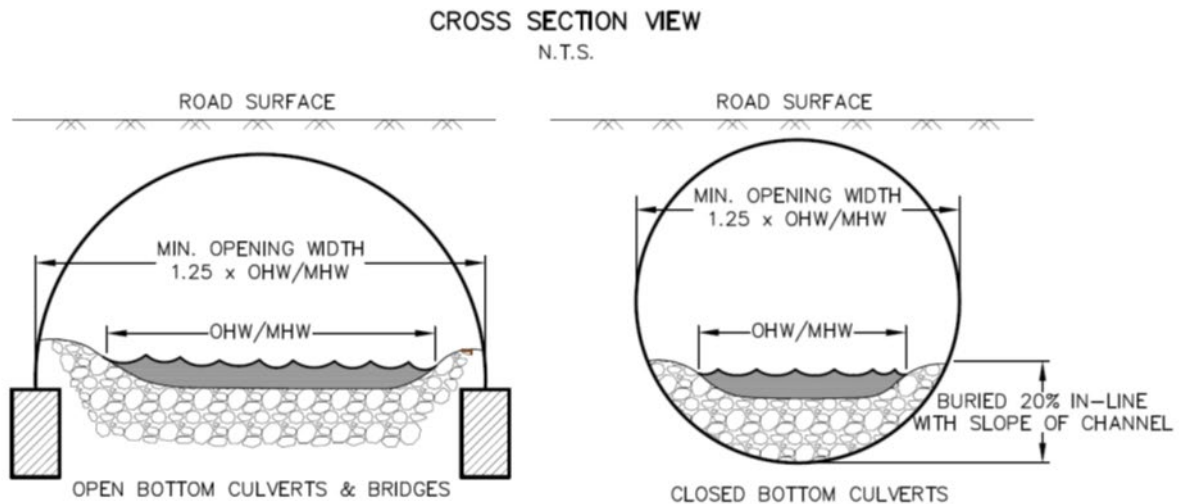
Note 2: This condition does not apply to temporary culverts used for construction access that are in place for less than one construction season. However, compliance with General Conditions #2 and #9 still applies.

Note 3: For further guidance on identification of the Ordinary High Water mark, please see Regulatory



**Buffalo & New York Districts Final Regional Conditions, Water Quality Certification and Coastal Zone Concurrence for the 2021 Nationwide Permits for New York State  
Effective February 25, 2022 - Expiration March 14, 2026**

Guidance Letter 05-05 available at: <https://www.usace.army.mil/Missions/Civil-Works/Regulatory-Program-and-Permits/Guidance-Letters/>



**Preconstruction Notification (PCN) Requirements:**

A PCN is required for projects that do not meet all of the above requirements. In addition to the PCN requirements of General Condition #32, the PCN must include the following information:

- i. A statement indicating which of the above requirements will not be met by the proposed project;
- ii. Information as to why the use of such structures or measures would not be practicable;
- iii. A brief description of the stream discussing:
  - Site specific information (i.e. stream bed slope, type and size of stream bed material, stream type, existing natural or manmade barriers, etc.) assessed to determine appropriate culvert design and to ensure management of water flows and aquatic life movement.
  - Evaluation of the replacement for its impacts on: downstream flooding, upstream and downstream habitat (in-stream habitat, wetlands), potential for erosion and headcutting, and stream stability.
  - Flow/storm event the proposed culvert is designed to pass (2 year, 50 year, etc.)
- iv. Cross sections of the stream used to calculate the stream bed low point and ordinary high water width, consisting of:
  - Stream channel cross sections shall be taken at proximal locations to the crossing location to determine the average of the lowest points in elevation of the stream bed and the average width at ordinary high water.
    - For new crossing locations, the average values from at least three measurements (project location and straight sections of the stream upstream and downstream) shall be used.
    - For replacement of an existing structure, the average values from at least two cross sections (straight sections of the stream upstream and downstream from the existing structure representative of the natural channel) shall be used. Note: sections should

**Buffalo & New York Districts Final Regional Conditions, Water Quality Certification and Coastal Zone Concurrence for the 2021 Nationwide Permits for New York State Effective February 25, 2022 - Expiration March 14, 2026**

not be taken in the immediate vicinity of the structure as the channel width may be affected by the structure and not provide an accurate representation of the natural channel.

- This average low point shall be used to ensure low flow is maintained through the culvert and from which all embedment depths are measured.
  - If the above cross section method was not practicable to use, an alternative method may be utilized. The PCN shall include justification for the method used including the data used and an explanation as to how it provides an equivalent measure.
- v. An evaluation of the effects the crossing would have on aquatic life movement and/or water flows; and
- vi. Mitigation measures that will be employed to minimize these effects. Mitigation measures may include, but are not limited to baffles, weirs, roughened channels, and grade control structures

A variance of the requirement(s) will be issued by the Corps if it can be demonstrated that the proposal would meet General Conditions #2 & #9 and would result in a less environmentally damaging practicable alternative (e.g. If compliance with any of the requirement(s) would result in detrimental impacts to the aquatic system then an alternate design should be proposed and a variance request submitted which outlines how compliance with the general conditions will be met.).

**2. ALL CULVERT REHABILITATION PROJECTS IN STREAMS**, to the extent they are regulated, not including culvert replacement projects (See 1 above), shall be constructed in accordance with the following, in order to ensure compliance with NWP General Condition #2 – Aquatic Life Movement and #9 – Management of Water Flows:

- a. An evaluation of the existing culvert shall be conducted prior to the proposed culvert rehabilitation to determine if the existing culvert is in compliance with NWP GC #2 and #9. Specifically, the culvert shall be evaluated regarding its effect upon aquatic life movements and low/ high water flow. If the above requirements in General Regional Condition B. 1 (a)-(e) are met, then the culvert is considered in compliance with NWP General Conditions #2 & #9. (Potential evaluation methods to consider include: North Atlantic Aquatic Connectivity Collaborative (NAACC) (Note: Projects should not result in a reduction of the NAACC passability score by reducing passage or creating a barrier), US Forest Service Aquatic Organism Passage FishXing, etc.)
- b. A PCN is not required for projects that utilize cured-in-place pipe lining or other repair activities that do not raise the existing invert elevation such that it causes an impediment to the passage of either aquatic life movement or water flow, unless there is an existing impediment which will not be corrected by the proposed repair.
- c. A PCN is required for any culvert rehabilitation project that includes a culvert which is not in compliance with GC #2 and/or #9 (i.e. impedes aquatic life movement or water flow) and which will not be corrected by the proposed repair.
- d. A PCN is required for culvert rehabilitation projects which will involve pipe slip lining or other activities, including concrete invert paving and concrete lining that raise the existing invert elevation such that it causes an impediment to the passage of low flow or aquatic life movement. Slip lining is defined as the insertion of a smaller diameter pipe into an existing pipe by pulling pushing, or spiral winding.

**Preconstruction Notification (PCN) Requirements:**

In addition to the PCN requirements of General Condition #32, the PCN must include the following information:

**Buffalo & New York Districts Final Regional Conditions, Water Quality Certification and Coastal Zone Concurrence for the 2021 Nationwide Permits for New York State Effective February 25, 2022 - Expiration March 14, 2026**

- i. A summary of the evaluation required in Item a. above including average ordinary high water channel width and a discussion of the impediment(s) to aquatic life movement and/or water flow.
- ii. Information as to how the proposal will mitigate for the impediment. Mitigation measures may include, but are not limited to baffles, weirs, roughened channels, and grade control structures.

**G-C.** No regulated activity authorized by a Nationwide Permit can cause the loss of areas classified as a bog or fen in the State of New York, as determined by the Buffalo or the New York District Corps of Engineers, due to the scarcity of this habitat in New York State and the difficulty with in-kind mitigation. The Districts will utilize the following document in the classification:

Edinger, G. J., D. J. Evans, S. Gebauer, T. G. Howard, D. M. Hunt, and A. M. Olivero (editors). 2014. *Ecological Communities of New York State*. Second Edition. A revised and expanded edition of Carol Reschke's *Ecological Communities of New York State*. New York Natural Heritage Program, New York State Department of Environmental Conservation, Albany, NY. This document is available at the following location: <https://www.nynhp.org/ecological-communities/>

**G-D. National Wild and Scenic Rivers (NWSR):** The Upper Delaware River has been designated as a National Wild and Scenic River from the confluence of the East and West Branches below Hancock, New York, to the existing railroad bridge immediately downstream of Cherry Island in the vicinity of Sparrow Bush, New York. Also, the portion of the Genesee River located within Letchworth Gorge State Park, beginning at the southern boundary of the park and extending downstream to the Mt. Morris Dam, was designated by Congress as a permanent Study River in the Genesee River Protection Act of 1989. In accordance with General Condition #16, no activity may occur within a NWSR, including Study Rivers, unless the National Park Service (NPS) has determined in writing that the proposed work will not adversely affect the NWSR designation or study status. Therefore, a PCN is required for any NWP which would impact the designated portions of the Genesee River or the Upper Delaware River, unless NPS has previously indicated the project will not adversely affect the waterway. (Note: the applicant may not commence work under any NWP until the NPS determines in writing that the project will not adversely affect the NWSR even if 45-days have passed since receipt of the PCN package.) Information regarding NWSR may be found at: <https://www.rivers.gov/new-york.php>

**G-E. For all proposals requiring a pre-construction notification (PCN), in addition to the requirements in General Condition 32, the applicant shall also include: (Note: the application will not be considered complete until all of the applicable information is received).**

**1. New York State/USACE Joint Application Form:** The application form shall be completed and signed and shall clearly indicate that the submission is a PCN.

Buffalo District: <http://www.lrb.usace.army.mil/Missions/Regulatory/Application-Forms/>

New York District: <https://www.nan.usace.army.mil/Missions/Regulatory/Obtaining-a-Permit/>

**2. Drawings:** The PCN must include legible, project drawings on 8.5" x 11" paper. Full size drawings may be submitted in addition to the 8.5" x 11" plans to aid in the application review. Three types of illustrations are needed to properly depict the work to be undertaken. These illustrations or drawings are a Vicinity Map (i.e. a location map such as a USGS topographical map), a Plan View and a Cross-Section Map. Each illustration should identify the project, the applicant, and the type of illustration (vicinity map, plan view or cross section). The Vicinity Map shall provide the location of the entire project site. In addition, each illustration should be identified with a figure or attachment number. The location map shall include the Latitude and Longitude or UTM coordinates of the project. For linear projects, the PCN shall include a map of the entire project including a delineation of all waters of the U.S. within the corridor. Aquatic resource information shall be submitted using the Cowardin Classification System mapping conventions (e.g. PFO, PEM, etc.).

**3. Color photographs:** The photos should be sufficient to accurately portray the project site, keyed to a location map and not taken when snow cover is present.

**Buffalo & New York Districts Final Regional Conditions, Water Quality Certification and Coastal Zone Concurrence for the 2021 Nationwide Permits for New York State  
Effective February 25, 2022 - Expiration March 14, 2026**

**4. Avoidance and Minimization:** The PCN should include a written narrative explaining how avoidance and minimization of temporary impacts and permanent losses of waters of the U.S. were achieved on the project site (i.e. site redesign, reduction in scope, alternate methods, etc.). It should include a description of the proposed construction practices that would be implemented to perform the proposed work and a description of the reasonably foreseeable direct and indirect effects to waters of the U.S. from the proposed construction practices.

**5. Mitigation** (See General Conditions 23 & 32(b)(6)): The PCN should include at least a conceptual compensatory mitigation plan for all projects resulting in the loss of greater than 1/10<sup>th</sup> of an acre of wetlands and/or 3/100<sup>th</sup> of an acre of stream. Mitigation conceptual plans submitted with the PCN must include the following information at a minimum: proposed compensation type (bank or in-lieu fee credit, restoration, creation, preservation, etc.), location and brief discussion on factors considered for site selection (i.e. soils, water source, potential for invasive species, etc.), amount proposed per resource type and a discussion of how the proposal will compensate for aquatic resource functions and services lost as a result of the project.

Note 1: All mitigation projects must comply with the Federal Regulations on compensatory mitigation (33 CFR 332) entitled "Compensatory Mitigation for Losses of Aquatic Resources: Final Rule", dated April 10, 2008, which is available at: [https://www.usace.army.mil/Missions/Civil-Works/Regulatory-Program-and-Permits/mitig\\_info/](https://www.usace.army.mil/Missions/Civil-Works/Regulatory-Program-and-Permits/mitig_info/) and any applicable District Guidelines.

Note 2: Although a conceptual mitigation plan may be sufficient for the purposes of a PCN submission, a detailed mitigation plan must be approved by the Corps before any jurisdictional work may occur on the project site.

Note 3: If more than 0.10 acres of designated EFH habitat (as discussed in Section G-E.8. below) would be impacted such that habitat would be lost, compensatory mitigation at a minimum ratio of 1:1 is required. A ratio of more than 1:1 may be required depending upon the ecological value of the habitat to be lost or degraded and the form of compensatory mitigation proposed to be provided.

Note 4: For additional information regarding natural stream channel design, please refer to <https://www.epa.gov/cwa-404/natural-stream-channel-design-techniques-and-review> for the Natural Stream Channel Design Techniques and Review Checklist as developed by U.S. EPA and U.S. Fish and Wildlife Service.

**6. Nationwide Rivers Inventory:** The PCN shall indicate if a river segment listed within the National Park Service Nationwide Rivers Inventory (NRI) is located within the proposed project area. [NRI river segments](#) are potential candidates for inclusion in the National Wild and Scenic River System (See General Condition #16). For project areas containing a listed NRI segment, the PCN shall also include a statement as to how adverse effects to the river have been avoided or mitigated. The list is available at: <http://www.nps.gov/ncrc/programs/rtca/nri/states/ny.html>.

**7. Historic or Cultural Resources:** In accordance with General Condition 20, a PCN is required for any non-federal activity which may have the potential to cause effects to any historic properties\* listed, determined to be eligible for listing on, or potentially eligible for listing on the National Register of Historic Places (NR). Please refer to General Condition 20 for submission requirements. In addition, all PCNs should include:

- a) A written statement indicating if any such properties may be affected by the proposed project.
- b) A copy of any completed archaeology or building/structure survey reports. If a survey has not been performed, the statement shall include a list of resources checked in the determination.
- c) Copies of any available correspondence from the New York State Office of Parks, Recreation, and Historic Preservation State Historic Preservation Officer (SHPO) regarding historic properties.
- d) Copies of any available correspondence from federally recognized Indian Nations regarding historic properties that may be affected by the project.

**Buffalo & New York Districts Final Regional Conditions, Water Quality Certification and Coastal Zone Concurrence for the 2021 Nationwide Permits for New York State  
Effective February 25, 2022 - Expiration March 14, 2026**

- e) Projects with ground disturbance may have the potential to cause effects to buried historic properties, regardless of occurring outside SHPO designated archaeological sensitive areas. Therefore, the PCN shall indicate if the ground disturbance will occur in any areas of previously undisturbed soil. For areas with prior disturbance, the PCN shall include a brief narrative describing the disturbance and its limit (i.e. type of disturbance, size of area with current undisturbed soil, size of area with existing disturbed soils, when the disturbance occurred, an estimate on how deep the soil disturbance extends, etc.) as well as photos of the existing ground disturbance.
- f) Above ground buildings/structures that are over 50 years old and potentially affected by the project will need to be assessed to determine if they are eligible for the NR. The PCN shall: identify any structures present in the project area, which have not already been subject to SHPO review, include photos of the structures, and describe how the project would/would not affect them.

\* - see NWP definition section for further clarification

Note 1: Information regarding historic properties may be found at: <https://cris.parks.ny.gov>. In addition, assistance regarding the determination of the presence of historic or cultural resources at or near the project site should be directed to SHPO.

Note 2: As stated in General Condition 20, if any listed, eligible or potentially eligible properties are present, the applicant shall not begin the activity until notified by the district engineer in writing either that the activity has no potential to cause effects or that consultation under Section 106 of the NHPA has been completed.

**8. Endangered Species and Essential Fish Habitat (EFH):** In accordance with General Condition #18, non-federal applicants must submit a PCN if any listed species or designated critical habitat might be affected or is in the vicinity of the activity (See Note 2 below), or if the activity is located in designated critical habitat. Please refer to General Condition #18 for submission requirements. In addition, all PCNs must include:

1. a written statement and documentation concerning any Essential Fish Habitat (EFH) and any federally listed or proposed Threatened or Endangered (T&E) species or designated and/or proposed critical habitat that might be affected or located in the vicinity of the project (See Note 2 below).
2. an official T&E species list printed within 90 days of the PCN submission, and a copy of any correspondence from the U.S. Fish and Wildlife Service (USFWS) and/or National Oceanic and Atmospheric Administration Fisheries Service (NOAA-Fisheries), regarding the potential presence of T&E species on the project site. An applicant should use the USFWS Information for Planning and Consultation (IPAC) website (<https://ecos.fws.gov/ipac>) as the primary resource to determine if there may be listed Threatened or Endangered species. Information on NOAA-Fisheries (NMFS) species (both T&E and EFH) can be found at: <https://www.greateratlantic.fisheries.noaa.gov/>. Region-specific information on NMFS species (both T&E and EFH) can we found at: <https://www.fisheries.noaa.gov/new-england-mid-atlantic/habitat-conservation/essential-fish-habitat-consultations-greater-atlantic-region>. Region-specific ESA information can be found at: <https://www.fisheries.noaa.gov/topic/consultations#endangered-species-act-consultations>.
3. For projects where T&E species are listed, a discussion of potential T&E species habitat within the project site (See USFWS T&E website for species habitat information). <https://www.fws.gov/northeast/nyfo/es/section7.htm>
4. If there is potential habitat for any T&E species within the project site the following, as applicable, shall be submitted:

**Buffalo & New York Districts Final Regional Conditions, Water Quality Certification and Coastal Zone Concurrence for the 2021 Nationwide Permits for New York State  
Effective February 25, 2022 - Expiration March 14, 2026**

- i. The results of any habitat surveys and presence/absence surveys. Note: all surveys should be coordinated with the USFWS and/or NOAA-Fisheries (NMFS) prior to initiation.
- ii. A detailed description of the proposed project, including secondary impacts and approximate proposed project construction schedule of project activities (e.g. land clearing, utilities, stormwater management).
- iii. A description of the natural characteristics of the property and surrounding area (e.g. forested areas, freshwater wetlands, open waters, and soils) and a description of surrounding land use (residential, agricultural, or commercial).
- iv. A description of the area to be impacted by the proposed project (including the species, typical sizes (d.b.h.) and number or acres of trees to be removed, substrate of stream, etc.).
- v. The location of the above referenced property and extent of any project related activities or discharges clearly indicated on a copy of a USGS 7.5-minute topographic quadrangle (quad) with the name of the quad(s) and latitude/longitude clearly labeled.
- vi. A description of conservation measures to avoid, minimize and/or mitigate impacts to listed species.

Note 1: There are no known T&E species or EFH species under the jurisdiction of the NOAA-Fisheries (NMFS) within the Buffalo District. Therefore, all Buffalo District requests for information regarding the presence of T&E species should be directed to the USFWS. In addition, no EFH review is necessary within the following New York District counties: Clinton, Essex, Franklin, Fulton, Hamilton, Montgomery, Otsego, Schenectady, Schoharie and Warren.

Note 2: Please refer to the following websites for further guidance and information relating to regulatory permits & T&E species in New York, including protocols for defining 'vicinity' for the Indiana and Northern long-eared bats:

Buffalo District: <http://www.lrb.usace.army.mil/Missions/Regulatory/Endangered-Species/Endangered-Species-New-York/>

New York District: <https://www.nan.usace.army.mil/Missions/Regulatory/Nationwide-Permits/>

Note 3: General Condition #18 is emphasized, ... "For activities where the non-Federal applicant has identified listed species or critical habitat that might be affected or is in the vicinity of the activity, and has so notified the Corps, the applicant shall not begin work until the Corps has provided notification that the proposed activity will have "no effect" on listed species or critical habitat, or until ESA section 7 consultation has been completed. **If the non-Federal applicant has not heard back from the Corps within 45 days, the applicant must still wait for notification from the Corps.**"

Note 4: Where a PCN is required for Essential Fish Habitat consultation, refer to the following links for the Essential Fish Habitat Assessment Worksheet and Mapper utilized to inform the preparation of the worksheet:

- EFH Assessment Worksheet: <https://www.fisheries.noaa.gov/new-england-mid-atlantic/habitat-conservation/essential-fish-habitat-assessment-consultations>
- EFH Mapper: <https://www.habitat.noaa.gov/protection/efh/efhmapper/>

Note 5: Where information is required for submerged aquatic vegetation (SAV) in the permit area



**Buffalo & New York Districts Final Regional Conditions, Water Quality Certification and Coastal Zone Concurrence for the 2021 Nationwide Permits for New York State Effective February 25, 2022 - Expiration March 14, 2026**

or within 50 feet of the proposed work, please utilize the following map data:

- NYS Department of State SAV data: <http://opdgig.dos.ny.gov/#/search/SAV>
- NYS GIS Clearinghouse (for SAV data in the Hudson River):  
<http://gis.ny.gov/gisdata/inventories/details.cfm?DSID=1209>  
 and <http://gis.ny.gov/gisdata/inventories/details.cfm?DSID=1350>

**9. PCNs should be submitted electronically, if possible, in accordance with the instructions provided on the Districts' websites. When submitted by hard copy, without an electronic submission, then multiple copies of the PCN must be provided as follows:**

- a) One (1) additional copy of the PCN package shall be provided to USACE for coordination with Department of Defense Siting Clearinghouse (See NWP # 39, 51, 52 & 57 Notes) for:
  - i. overhead utility lines proposed under NWP #57 and
  - ii. any activity that involves the construction of a wind energy generating structure, solar tower, or overhead transmission lines proposed under NWP #39, 51 or 52
- b) Two (2) additional copies of the PCN package shall be provided to USACE when the project is located within the New York City Watershed, for coordination with the New York City Department of Environmental Protection.
- c) Five (5) additional copies of the PCN package shall be submitted to USACE for agency coordination in accordance with General Condition # 32(d)(2) for:
  - i. All NWP activities that result in the loss of greater than 1/2-acre of waters of the United States,
  - ii. NWP 13 activities in excess of 500 linear feet, fills greater than one cubic yard per running foot, or involve discharges of dredged or fill material into special aquatic sites;
  - iii. NWP 54 activities in excess of 500 linear feet or that extend into the waterbody more than 30 feet from the mean low water line in tidal waters or the ordinary high water mark in the Great Lakes.

**G-F. CRITICAL RESOURCE WATERS**

In accordance with NWP General Condition (GC) #22, certain activities in Critical Resource Waters cannot be authorized under the NWP program or would require a PCN (see GC #22 for a list of the NWP activities that are either excluded or require a PCN).

Critical Resource Waters in New York State include the following:

1. **East-of-Hudson portion of the New York City Water Supply:** This area includes portions of Dutchess, Putnam and Westchester Counties as delineated on Enclosure 2.
2. **Hudson River National Estuarine Research Reserves (NERR):** The Hudson River NERR consists of four components: Piermont Marsh, Iona Island, Tivoli Bay, and Stockport Flats.

**H. NYSDEC GENERAL WATER QUALITY CERTIFICATION (WQC) CONDITIONS APPLICABLE TO ALL NWPS FOR WHICH WQC HAS BEEN PROVIDED ARE AS FOLLOWS:**

1. **Non-contamination of Waters** - All necessary precautions shall be taken to preclude contamination of any waters of the United States by suspended solids, resins, sediments, fuels, solvents, lubricants, epoxy coatings, paints, concrete, leachate, inadvertent returns of drilling muds ("frac-outs") or any other environmentally deleterious materials associated with the project.
2. **Installation and Replacement of Culverts** - To be covered under this blanket Water Quality Certification, all the following criteria must be met for culvert installations and replacements:

**Buffalo & New York Districts Final Regional Conditions, Water Quality Certification and Coastal Zone Concurrence for the 2021 Nationwide Permits for New York State  
Effective February 25, 2022 - Expiration March 14, 2026**

- a. Culverts shall be designed to pass a storm event with an annual chance of 2% or less (i.e., 50-year storm event or greater) such that the water surface remains below the top of the inlet opening.
- b. All culverts with closed bottoms and culvert pipes must be appropriately embedded. Round culverts must be installed so that at least 20% of the culvert's vertical height is embedded below the existing stream bed at the outlet end of the culvert.
- c. Width of the structure must be a minimum of 1.25 times (1.25X) width of the Mean High-Water Channel.
- d. The slope of the stream bed within or under the culvert shall remain consistent with the slope of the adjacent stream channel. For slopes greater than 3%, an open bottom culvert must be used.
- e. This culvert must not be located under a roadway that provide sole access to "Critical Facilities"<sup>2</sup>.
- f. This certification does not authorize culvert rehabilitation projects that involve slip lining, invert paving, or similar treatments.
- g. This certification does authorize the rehabilitation of culverts utilizing Cure in Place Pipe Lining (CIPP) or concrete spray lining for culverts which currently meet Nationwide Permit General Condition # 2 - Aquatic Life Movements.

<sup>2</sup>Critical Facilities are defined as facilities designed for bulk storage of chemicals, petrochemicals, hazardous or toxic substances or floatable materials; hospitals, rest homes, correctional facilities, dormitories, patient care facilities; major power generation, transmission or substation facilities, except for hydroelectric facilities; major communications centers, such as civil defense centers; or major emergency service facilities, such as central fire and police stations. (See 6 NYCRR Part 502.4(a)(17).)

3. **Discharges and Disturbances Limits** - The following discharge and disturbance limits apply to this certification:
  - a. For NWP 5, 7, 13, 14, 15, 18, 19, 23, 25, 32, 34, 36, 37, 45, and 46, the following discharge limits apply:
    - i. Temporary or permanent discharges of dredged or fill material into wetlands and other waters of the United States must not exceed ¼ acre;
    - ii. Temporary or permanent impacts (i.e., loss) to stream beds, lake shorelines, and ocean shorelines must not exceed 300 linear feet; and
    - iii. The discharge area limit under paragraph (a) plus the equivalent stream, lake, or ocean impact area limit under paragraph (b) must not exceed ¼ acre total.
  - b. For NWP 3, 4, 6, 20, 22, 27, 30, 31, 33, and 41, this certification authorizes discharges and disturbances up to the limit of the respective Nationwide Permit or regional conditions, whichever is most restrictive.
  - c. If a project requiring coverage under two or more Nationwide Permits results in a temporary or permanent discharge or disturbance, the most restrictive threshold applies to the project.
4. **Bulkheads** - Activities involving bulkheads are restricted as follows:
  - a. This certification does not authorize the construction of new bulkheads or vertical walls.
  - b. This certification does not authorize the waterward extension of existing bulkheads, except where minimally necessary to reface the bulkhead when in-place replacement is not feasible.
  - c. New toe-stone protection may not extend more than 36 inches waterward from the existing bulkhead face.
5. **Maintenance of Water Levels** - This certification does not authorize any activity that results in a permanent water level alteration in waterbodies, such as draining or impounding, except for activities authorized by NWP 27.
6. **Dewatering** - Dewatering activities must be conducted in the following manner:
  - a. Authorized dewatering is limited to immediate work areas that are within coffer dams or otherwise isolated from the larger waterbody or waters of the United States.



**Buffalo & New York Districts Final Regional Conditions, Water Quality Certification and Coastal Zone Concurrence for the 2021 Nationwide Permits for New York State  
Effective February 25, 2022 - Expiration March 14, 2026**

- b. Dewatering must be localized and must not drain extensive areas of a waterbody or reduce the water level such that fish and other aquatic organisms are killed, or their eggs and nests are exposed to desiccation, freezing or depredation in areas outside of the immediate work site.
  - c. Cofferdams or diversions shall not be constructed in a manner that causes or exacerbates erosion of the bed or banks of a waterbody.
  - d. All dewatering structures must be permanently removed, and disturbed areas must be graded and stabilized immediately following completion of work. Return flows from the dewatering structure shall be as visibly clear as the receiving waterbody.
7. **Horizontal and Directional Drilling** - For projects that involve horizontal or directional drilling, the permittee must prepare and implement a plan that addresses prevention, containment and cleanup of inadvertent drilling fluid returns or “frac-outs”.
8. **Endangered or Threatened Species** - This certification does not authorize discharges likely to result in the take or taking of any species listed as endangered or threatened in 6 NYCRR Part 182.5 (a) or (b) or discharges likely to destroy or adversely modify the habitat of such listed species. To be eligible for coverage under this certification, applicants must either verify that the activity is outside of the occupied habitat of such species or, if located within the habitat of such species, obtain a determination from the NYS Department of Conservation Regional Office that the proposed activity is not likely to result in the take or taking of any species listed as endangered or threatened species listed in 6 NYCRR Part 182. Information on New York State endangered or threatened species may be obtained from the NYS Department of Environmental regional offices, the New York Natural Heritage Program in Albany, New York or on the NYSDEC website at <https://www.dec.ny.gov/animals/38801.html>.
9. **Rare Mollusks** - This certification does not authorize disturbances or discharges to waters of the United States that support mollusks listed as S-1 or S-2 on the New York State Natural Heritage database, unless NYSDEC staff have determined that the project location does not contain mussels listed as S-1 or S-2 on the Natural Heritage database.
10. **Prohibition Period for In-water Work** - In-water work is prohibited in cold water trout fisheries (waterbodies classified under Article 15 of New York State Environmental Conservation Law with a “t” or “ts” designation), beginning October 1 and ending May 31.
- Water classification values can be found on the NYSDEC’s Environmental Resource Mapper available on the Department’s website at <https://gisservices.dec.ny.gov/gis/erm/>. Applicants may also contact the Regional Fisheries Manager in the appropriate New York State Department of Environmental Conservation regional office to determine the classification of the water body and whether the prohibition period applies.
11. **Significant Coastal Fish and Wildlife Habitats** - This certification does not authorize any discharge occurring in a designated Significant Coastal Fish and Wildlife Habitat area pursuant to 19 NYCRR Part 602 (NYCRR, Title 19, Chapter XIII, Waterfront Revitalization of Coastal Areas and Inland Waterways). <https://www.dos.ny.gov/opd/programs/consistency/scfwhabitats.html>
12. **Coastal Erosion Hazard Areas** - This certification does not authorize projects that disturb greater than ¼ acre or 300 linear feet of waters of the United States within mapped Coastal Erosion Hazard Areas, as identified in New York State Environmental Conservation Law Article 34, and its implementing regulations, 6 NYCRR Part 505. <https://www.dec.ny.gov/lands/86541.html>
13. **Federal Energy Regulatory Commission** - This certification does not authorize activities regulated by the United States Federal Energy Regulatory Commission (FERC). An individual Section 401 Water Quality Certification from NYSDEC is required for all projects regulated by FERC.
14. **Preventing the Spread of Aquatic Invasive Species** - To prevent the unintentional introduction or spread of invasive species, the permittee must ensure that all construction equipment be cleaned of mud, seeds, vegetation, and other debris before entering any approved construction areas within

**Buffalo & New York Districts Final Regional Conditions, Water Quality Certification and Coastal Zone Concurrence for the 2021 Nationwide Permits for New York State  
Effective February 25, 2022 - Expiration March 14, 2026**

waters of the United States. When using construction equipment, projects authorized under this Certification shall take reasonable precautions to prevent the spread of aquatic invasive species as required under the provisions in ECL § 9-1710.

15. **Utility Projects** - The following restrictions and conditions apply to activities involving utility projects:
  - a. This certification does not authorize maintenance or other activities associated with hydroelectric power generation projects.
  - b. This certification does not authorize the construction of substation facilities or permanent access roads in wetlands or within the Federal Emergency Management Agency mapped 100-year floodplain.
  - c. Excess materials resulting from trench excavation must be permanently removed from the waters of the United States and contained so that they do not re-enter any waters of the United States.
  
16. **NYSDEC Emergency Authorizations** – This certification also applies to any regulated discharges to Waters of the U.S. covered under an NWP where NYSDEC makes a finding of emergency pursuant to New York States Uniform Procedures Act regulations at 6 NYCRR § 621.12. Such a finding may also, but is not required to, include NYSDEC emergency authorizations under ECL Article 15, Title 5 (Protection of Waters), Article 15, Title 27 (Wild, Scenic, and Recreational Rivers), Article 24 (Freshwater Wetlands), Article 25 (Tidal Wetlands) or Article 34 (Coastal Erosion Management). Where such certification is granted, only NYSDEC General WQC Conditions 1, 4, 5, and 6 shall apply.
  
17. **NYSDEC General Permits** – This certification also applies to any regulated discharges to Waters of the U.S. covered under an NWP where NYSDEC issues project authorization under a general permit pursuant to ECL Article 15, Title 5 (Protection of Waters), Article 15, Title 27 (Wild, Scenic, and Recreational Rivers), Article 24 (Freshwater Wetlands), Article 25 (Tidal Wetlands), or Article 34 (Coastal Erosion Management). Where such certification is granted, all other NYSDEC General WQC Conditions shall not apply.
  
18. **NYSDEC Individual Permits** – This certification also applies to any regulated discharges to Waters of the U.S. covered under an NWP where NYSDEC issues individual project authorization pursuant to ECL Article 15, Title 5 (Protection of Waters), Article 15, Title 27 (Wild, Scenic, and Recreational Rivers), Article 24 (Freshwater Wetlands), Article 25 (Tidal Wetlands), or Article 34 (Coastal Erosion Management). Where such certification is granted, all other NYSDEC General WQC Conditions shall not apply.

**I. NEW YORK STATE DEPARTMENT OF STATE (NYSDOS) COASTAL ZONE MANAGEMENT CONSISTENCY DETERMINATION ADDITIONAL INFORMATION (APPLICABLE TO ALL NWPS LOCATED WITHIN OR AFFECTING THE NYS COASTAL ZONE):**

Where NYSDOS has objected to the USACE consistency determination, as outlined in the specific NWP listing in Section B above, the applicant must submit a request for an individual consistency determination to NYSDOS.

Further Information:

- Unless NYSDOS issues consistency concurrence or USACE has determined that NYSDOS concurrence is presumed, NWPs are not valid within the Coastal Zone.
- All consistency concurrence determination requests must be submitted directly to NYSDOS with a copy provided to USACE with any required Preconstruction Notification submissions.
- Limits of the coastal zone and details regarding NYSDOS submission requirements, including application forms can be obtained at:

**Buffalo & New York Districts Final Regional Conditions, Water Quality Certification and Coastal Zone Concurrence for the 2021 Nationwide Permits for New York State  
Effective February 25, 2022 - Expiration March 14, 2026**

<https://www.dos.ny.gov/opd/programs/consistency/index.html>.

- For additional information regarding the NYSDOS Coastal Zone Management program, their application forms, and requirements, please contact NYSDOS. See Section K for NYSDOS contact information.

**J. INFORMATION ON NATIONWIDE PERMIT VERIFICATION**

Verification of the applicability of these Nationwide Permits is valid until March 14, 2026, unless the Nationwide Permit is modified, suspended, revoked, or the activity complies with any subsequent permit modification.

It is the applicant's responsibility to remain informed of changes to the Nationwide Permit program. A public notice announcing any changes will be issued when they occur and will be available for viewing at our website: <http://www.lrb.usace.army.mil/Missions/Regulatory.aspx>.

Please note in accordance with 33 CFR part 330.6(b), that if you commence or are under contract to commence an activity in reliance of the permit prior to the date this Nationwide permit expires, is suspended or revoked, or is modified such that the activity no longer complies with the terms and conditions, you have twelve months from the date of permit modification, expiration, or revocation to complete the activity under the present terms and conditions of the permit, unless the permit has been subject to the provisions of discretionary authority.

Possession of this permit does not obviate you of the need to contact all appropriate state and/or local governmental officials to ensure that the project complies with their requirements.

**Buffalo & New York Districts Final Regional Conditions, Water Quality Certification and Coastal Zone Concurrence for the 2021 Nationwide Permits for New York State  
Effective February 25, 2022 - Expiration March 14, 2026**

**K. AGENCY CONTACT INFORMATION**

**NYS Board on Electric Generation Siting and the Environment (Siting Board)**

Three Empire State Plaza  
Albany, NY 12223-1350  
(518) 949-0798  
Email: [Houtan.Moaveni@dps.ny.gov](mailto:Houtan.Moaveni@dps.ny.gov)  
[www.dps.ny.gov/SitingBoard](http://www.dps.ny.gov/SitingBoard)

**NYS Department of Environmental Conservation**  
[www.dec.ny.gov](http://www.dec.ny.gov)

**NYS DEC REGION 1**

Regional Permit Administrator  
SUNY @ Stony Brook  
50 Circle Road  
Stony Brook, NY 11790-3409  
(631) 444-0365

**NYS DEC REGION 2**

Regional Permit Administrator  
1 Hunter's Point Plaza  
47-40 21st Street  
Long Island City, NY 11101-5407  
(718) 482-4997

**NYS DEC REGION 3**

Regional Permit Administrator  
21 South Putt Corners Road  
New Paltz, NY 12561-1620  
(845) 256-3054

**NYS DEC REGION 4**

Regional Permit Administrator  
1130 North Westcott Road  
Schenectady, NY 12306-2014  
(518) 357-2069

**NYS DEC REGION 4 Sub-Office**

Deputy Regional Permit Administrator  
65561 State Hwy 10  
Stamford, NY 12167-9503  
(607) 652-7741

**NYS DEC REGION 5**

Regional Permit Administrator  
PO Box 296  
1115 Route 86  
Ray Brook, NY 12977-0296  
(518) 897-1234

**NYS DEC REGION 5 Sub-Office**

Deputy Regional Permit Administrator  
PO Box 220  
232 Golf Course Rd  
Warrensburg, NY 12885-0220  
(518) 623-1281

**NYS DEC REGION 6**

Regional Permit Administrator  
317 Washington Street  
Watertown, NY 13601-3787  
(315) 785-2245

**NYS DEC REGION 6 Sub-Office**

Deputy Regional Permit Administrator  
207 Genesee Street, Room 1404  
Utica, NY 13501-2885  
(315) 793-2555

**NYS DEC REGION 7**

Regional Permit Administrator  
615 Erie Blvd. West, Room 206  
Syracuse, NY 13204-2400  
(315) 426-7438

**NYS DEC REGION 8**

Regional Permit Administrator  
6274 E. Avon - Lima Road  
Avon, NY 14414-9519  
(585) 226-5400

**NYS DEC REGION 9**

Regional Permit Administrator  
270 Michigan Avenue  
Buffalo, NY 14203-2915  
(716) 851-7165

**NYS DEC REGION 9 Sub-Office**

Deputy Regional Permit Administrator  
182 East Union Street, Suite 3  
Allegany, NY 14706-1328  
(716) 372-0645

**NYS Department of Public Service (NYS DPS)**

Three Empire State Plaza  
Albany, NY 12223-1350  
(518) 949-0798  
Email: [Houtan.Moaveni@dps.ny.gov](mailto:Houtan.Moaveni@dps.ny.gov)  
[www.dps.ny.gov](http://www.dps.ny.gov)

**Buffalo & New York Districts Final Regional Conditions, Water Quality Certification and  
Coastal Zone Concurrence for the 2021 Nationwide Permits for New York State  
Effective February 25, 2022 - Expiration March 14, 2026**

**NYS Department of State (NYSDOS)**

Office of Planning, Development  
And Community Infrastructure  
Consistency Review Unit  
One Commerce Plaza  
99 Washington Avenue, Suite 1010  
Albany, NY 12231-00001  
(518) 474-6000  
Email: [cr@dos.ny.gov](mailto:cr@dos.ny.gov)  
<https://www.dos.ny.gov/opd/programs/consistency/index.html>

**NYS Office of Renewable Energy Siting (ORES)**

Empire State Plaza  
240 State Street  
P-1 South, J Dock  
Albany, NY 12242  
(518) 949-0798  
Email: [Houtan.Moaveni@ores.ny.gov](mailto:Houtan.Moaveni@ores.ny.gov)  
[www.ores.ny.gov](http://www.ores.ny.gov)

**Saint Regis Mohawk Tribe**

Water Resources Program  
449 Frogtown Road  
Akwesasne, NY 13655  
[www.srmt-nsn.gov](http://www.srmt-nsn.gov)

**Seneca Nation**

Environmental Protection Department  
84 Iroquois Drive  
Irving, NY 14081  
(716) 532-2546

**US Army Corps of Engineers**

(For DEC Regions 1, 2 and 3)

**US Army Corps of Engineers, NY District (NAN)**

ATTN: Regulatory Branch, Room 16-406  
26 Federal Plaza  
New York, NY 10278-0090  
For DEC Regions 1 & 2 - (917) 790-8511  
For DEC Region 3 - (917) 790-8411  
Email: [CENAN-PublicNotice@usace.army.mil](mailto:CENAN-PublicNotice@usace.army.mil)

(For DEC Regions 4, 5)

**US Army Corps of Engineers, NY District (NAN)  
Upstate Regulatory Field Office**

ATTN: CENAN-OP-RU, Bldg. 10, 3rd Floor North  
1 Buffington Street, Watervliet Arsenal  
Watervliet, NY 12189-4000  
(518) 266-6350 - Permits Processing Team  
(518) 266-6360 - Compliance & Enforcement Team  
Email: [cenan.rfo@usace.army.mil](mailto:cenan.rfo@usace.army.mil)

NAN Electronic Application Email:  
[CENAN-R-Permit-App@usace.army.mil](mailto:CENAN-R-Permit-App@usace.army.mil)

NAN website:  
<http://www.nan.usace.army.mil/Missions/Regulatory/>

(For DEC Regions 6, 7, 8, 9)  
**US Army Corps of Engineers,  
Buffalo District (LRB)**

ATTN: Regulatory Branch  
1776 Niagara Street  
Buffalo, NY 14207-3199  
(716) 879-4330

LRB Electronic Application Email:  
[LRB.NewYork.RegActions@usace.army.mil](mailto:LRB.NewYork.RegActions@usace.army.mil)

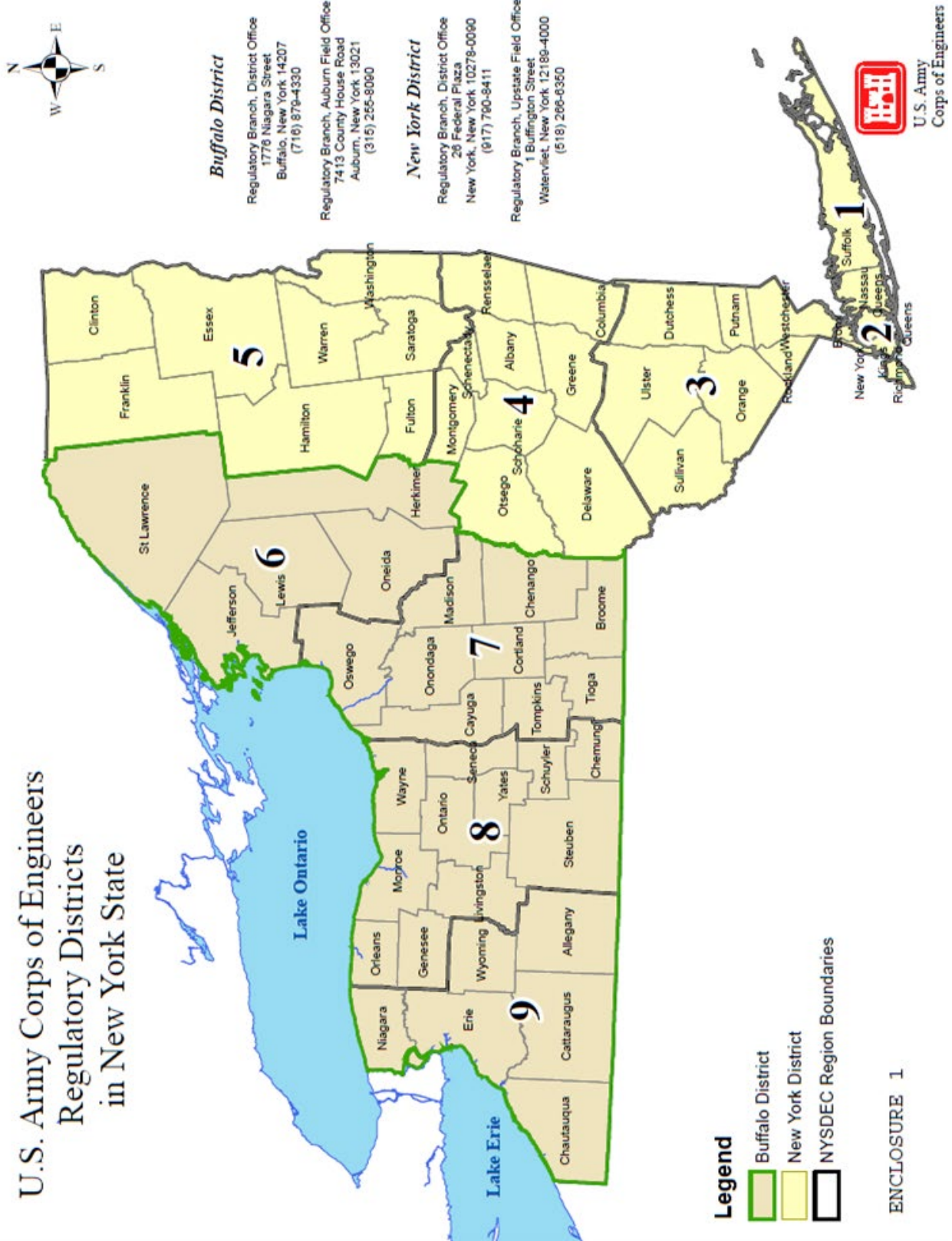
LRB website:  
[www.lrb.usace.army.mil/Missions/Regulatory/](http://www.lrb.usace.army.mil/Missions/Regulatory/)

**US Environmental Protection Agency Region 2**

Wetlands Protection Section  
290 Broadway, 24th Floor  
New York, NY 10007  
212-637-3838  
Email: [Region2\\_CWA404@epa.gov](mailto:Region2_CWA404@epa.gov)

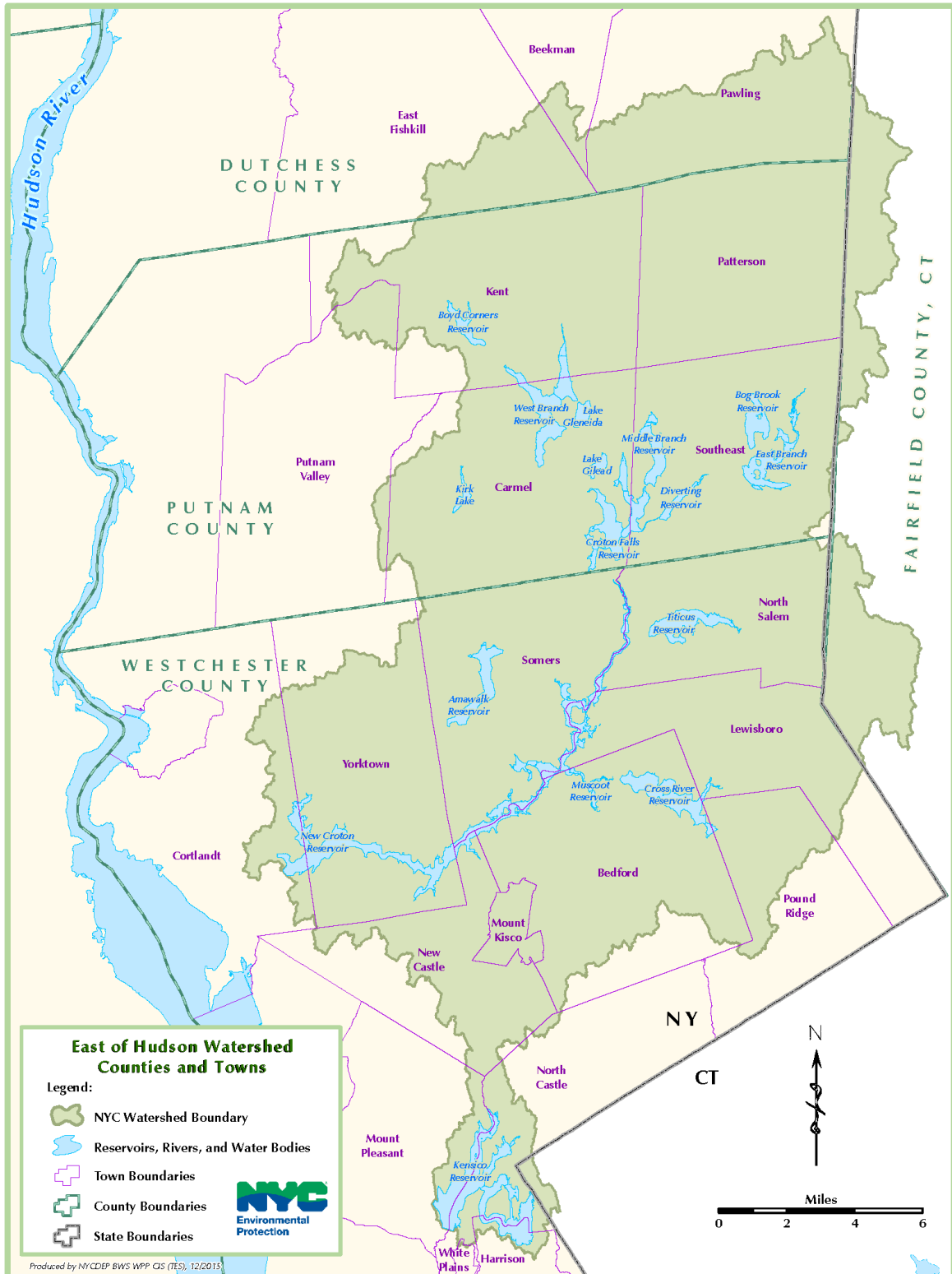
**Buffalo & New York Districts Final Regional Conditions, Water Quality Certification and Coastal Zone Concurrence for the 2021 Nationwide Permits for New York State Effective February 25, 2022 - Expiration March 14, 2026**

**ENCLOSURE 1**



Buffalo & New York Districts Final Regional Conditions, Water Quality Certification and Coastal Zone Concurrence for the 2021 Nationwide Permits for New York State Effective February 25, 2022 - Expiration March 14, 2026

**ENCLOSURE 2**





**Buffalo & New York Districts Final Regional Conditions, Water Quality Certification and  
Coastal Zone Concurrence for the 2021 Nationwide Permits for New York State  
Effective February 25, 2022 - Expiration March 14, 2026**

**ENCLOSURE 3**



REPLY TO  
ATTENTION OF

**DEPARTMENT OF THE ARMY**  
U.S. ARMY CORPS OF ENGINEERS, NEW YORK DISTRICT  
JACOB K. JAVITS FEDERAL BUILDING  
26 FEDERAL PLAZA  
NEW YORK NEW YORK 10278-0090

REGULATORY BRANCH

Attn: \_\_\_\_\_

**Commercial Mooring Buoy Application Additional Information**

Permit Application Number NAN-\_\_\_\_\_

Company Name: \_\_\_\_\_ Phone: \_\_\_\_\_

Attn: \_\_\_\_\_

Address: \_\_\_\_\_

Initial  Renewal

If Renewal, USCG Permit No. \_\_\_\_\_

Purpose: \_\_\_\_\_

**LOCATION OF MOORING:**

Anchorage: \_\_\_\_\_ Chart: \_\_\_\_\_ On Scene Depth (ft.): \_\_\_\_\_

Position\*: \_\_\_\_\_ N \_\_\_\_\_ W

**MOORING BUOY DATA:**

No. of anchors: \_\_\_\_\_ Lbs. per anchor: \_\_\_\_\_ Type: \_\_\_\_\_

Chain size (in.): \_\_\_\_\_ Scope (yds.): \_\_\_\_\_

Pennant length (yds.): \_\_\_\_\_ Circ. /dia. (in.): \_\_\_\_\_ Type: \_\_\_\_\_

**VESSEL/BARGE DATA:**

Max size (LxBxD): \_\_\_\_\_ x \_\_\_\_\_ x \_\_\_\_\_ Max No. of barges: \_\_\_\_\_

Configuration (# abreast x # astern): \_\_\_\_\_ x \_\_\_\_\_ Watch circle\*\* (yds.): \_\_\_\_\_

Swing Radius (yards): \_\_\_\_\_

\* Please provide a copy of the NOAA chart showing your proposed mooring buoy location and the swing radius; also identify the Anchorage Ground, if applicable

\*\* Watch Circle =  $\sqrt{(\text{length of scope})^2 - (\text{water depth})^2}$

Swing Radius = (Watch circle) + (Barge(s) length astern) + (Pendant length(s)) + (10% of swing radius). You must maintain an additional 10% of your Swing Radius from any adjacent mooring buoy Swing Radius for safety and maneuvering.



**Buffalo & New York Districts Final Regional Conditions, Water Quality Certification and  
Coastal Zone Concurrence for the 2021 Nationwide Permits for New York State  
Effective February 25, 2022 - Expiration March 14, 2026**

**ENCLOSURE 4**

**Incident Report of Sea Turtle Take  
U.S. Army Corps of Engineers, New York District**

Date \_\_\_\_\_ Time (specimen found) \_\_\_\_\_

Species Taken:   Loggerhead                   Kemp's ridley                   Leatherback  
                          Green                            Unknown turtle                Other  
(please circle and describe how specimen was identified in Comments)

Animal: Alive / Dead (please circle)  
Specimen Decomposition: FRESH   SLIGHTLY   MODERATELY   SEVERELY  
Approximate length \_\_\_\_\_ Approximate width \_\_\_\_\_  
(please designate cm/m or inches)

Condition of specimen/description of animal  
\_\_\_\_\_  
\_\_\_\_\_  
\_\_\_\_\_

Animal tagged: YES / NO (please circle and record all tag numbers)  
Tag # \_\_\_\_\_

Photograph attached: YES / NO (please circle)  
(please label species, date, geographic site and name on photo back)

Fate of animal \_\_\_\_\_

Geographic Site \_\_\_\_\_  
Location: Lat/Long \_\_\_\_\_  
Approx. depth of gear \_\_\_\_\_

Location where animal found (leader, anchor line, buoy line, etc.)  
\_\_\_\_\_  
\_\_\_\_\_

Thickness and type of line (if applicable) \_\_\_\_\_  
Mesh size and type of net (if applicable) \_\_\_\_\_  
Debris in gear? \_\_\_\_\_

Weather conditions \_\_\_\_\_

Water temp: Surface \_\_\_\_\_ Below midwater (if known) \_\_\_\_\_  
Tide state (Ebb or Flood) \_\_\_\_\_  
Entanglement on downcurrent or upcurrent side of net? \_\_\_\_\_

Comments/other (include justification on how species was identified)  
\_\_\_\_\_  
\_\_\_\_\_  
\_\_\_\_\_

Observer's Name \_\_\_\_\_ Permit # \_\_\_\_\_  
Notwithstanding any other provision of the law, no person is required to respond to, nor shall any person be subject to a penalty for failure to comply with, a collection of information subject to the requirements of the Paperwork Reduction Act, unless that collection of information displays a currently valid Office of Management and Budget Control Number.

**SPECIAL NOTE****DIESEL EMISSION REDUCTION ACT (DERA) REGULATORY COMPLIANCE**

All New York State Thruway Authority (NYSTA) Contractors are made aware that Environmental Conservation Law (ECL) 19-0323 and the New York State Department of Environmental Conservation (NYSDEC) regulation 6 NYCRR Part 248 *Use of Ultra Low Sulfur Diesel (ULSD) Fuel and Best Available Retrofit Technology (BART) for Heavy Duty Vehicles* requires 100% compliance as of December 31, 2019 of all regulated heavy duty diesel vehicles working on all State awarded contracts. A link to NYSDEC's Part 248 Annual Reporting Requirements which states the current deadlines is located at: <http://www.dec.ny.gov/chemical/118127.html>. NYSTA and its Contractors are responsible for annual reporting.

All NYSTA Contractors shall make determinations of regulatory applicability for vehicles in their inventory used on active NYSTA contracts during each reporting year. These determinations shall be based on the definition of Heavy Duty Vehicle (HDV) including on and off road diesel vehicles having gross vehicle weights in excess of 8,500 pounds, excluding vehicles that are exempt as defined in 6 NYCRR 248-1.1(b)(14). Contractors shall also quantify ULSD fuel used by regulated vehicles in active contract work during the reporting year.

An electronic copy of 6 NYCRR Part 248 can be accessed at <http://www.dec.ny.gov/regs/2492.html>. Electronic copies of the Regulated Entity Vehicle Inventory Form and the Regulated Entity and Contractors Annual Report Form can be accessed under Part 248 – Use of Ultra Low Sulfur Diesel Fuel and Best Available Retrofit Technology for Heavy Duty Vehicles at the following link: [www.dec.ny.gov/chemical/4754.html](http://www.dec.ny.gov/chemical/4754.html).

To allow for required reports to be submitted to NYSDEC by the regulatory deadline of November 1, each year, NYSTA Contractors shall submit DERA annual reports to NYSTA by October 1, of every year reporting the required information from the previous reporting year (i.e., all 2019/2020 information to NYSTA by October 1, 2020, etc.). The following numbered information shall be submitted:

1. Inclusion of “DERA” and calendar year being reported in subject line of email
2. Contact information including firm name, contact person, phone number and e-mail
3. Estimated annual total quantity of ULSD fuel used by covered vehicles on NYSTA contracts
4. Required Fleet information for covered vehicles on NYSTA contracts

Electronic mail submissions can be sent to [dieselreport@thruway.ny.gov](mailto:dieselreport@thruway.ny.gov)

**SPECIAL NOTES****GREEN CONSTRUCTION REQUIREMENTS****ULTRA LOW SULFUR DIESEL FUEL**

In order to reduce diesel emissions, the Contractor shall use Ultra Low Sulfur Diesel (ULSD) fuel to operate all diesel engines used to complete the work that will operate for 10 hours or more on the contract site. ULSD fuel requirements shall apply to:

- All diesel engines/equipment.
- Stationary and mobile equipment.
- Owned, leased and rented equipment.

The hours the piece of equipment is used to complete the work is defined as the actual time the engine is running. The time may be continuous or discontinuous and includes warm-up periods idling, in traffic periods, etc.

The Contractor shall correct any non-compliance when any diesel powered construction equipment is in non-compliance. The Contractor shall correct any non-compliance within a 24-hour period.

**SPECIAL NOTES****GREEN CONSTRUCTION REQUIREMENTS****CONTROLLING EXPOSURE TO DIESEL EXHAUST**

The Contractor shall exercise measures to protect “Sensitive Receptors” from the impacts of diesel exhaust fumes. Sensitive Receptors include, but are not limited to: hospitals, schools, daycare facilities, building fresh air or ventilation intakes, elderly housing or convalescent facilities. The Contractor shall ensure that diesel powered engines are located away from building air conditioners and windows.

The goal is to minimize exposure of Sensitive Receptors in close proximity to diesel exhaust, in terms of both concentration and time. In general, close proximity is defined as within 15 meters of a Sensitive Receptor. Mitigation techniques include positioning stationary equipment exhausts greater than 15 meters from Sensitive Receptors, extension of equipment exhausts through the use of flexible tubing; protecting building air intakes; and the use of moving operations.

Idling time for diesel powered equipment shall be limited to three consecutive minutes for delivery and dump trucks and all other diesel powered equipment except as follows:

- When a “mobile source” (vehicle) is forced to remain motionless because of traffic conditions or mechanical difficulties over which the operator has no control.
- When it is necessary to operate a loading, unloading or processing device.
- When the outdoor temperature is less than - 3°C (27°F).
- When the “mobile source” is being repaired.

Arrow panels and portable variable message signs shall be solar powered wherever possible or practical.

Whenever possible and practicable, the Contractor shall establish staging areas for diesel powered vehicles waiting to load or unload materials at the work site. Such areas shall be located where diesel emissions have the least impact on Sensitive Receptors and the general public.

**SPECIAL NOTES****GREEN CONSTRUCTION REQUIREMENTS****DUST CONTROL**

The Contractor shall minimize dust from disturbed soil surfaces or other materials that can cause off-site damage, health hazards and traffic safety problems. Dusty conditions resulting from the Contractor's operations shall be corrected at no additional cost to the State. Buffer areas of vegetation should be left where practical. Water quality shall be considered when selecting materials for dust control. An approved dust palliative may be used in conformance with applicable conditions placed on its use. A list of acceptable dust palliatives is available at: [www.nysdot.gov/divisions/engineering/technical-services/geotechnical-engineering-bureau/dust-palliatives](http://www.nysdot.gov/divisions/engineering/technical-services/geotechnical-engineering-bureau/dust-palliatives) .

For areas not subject to traffic, products and materials may be applied or placed on soil surfaces to prevent airborne migration of soil particles, including:

- Vegetative Cover –provides the most practical method of dust control.
- Mulch (including rolled erosion control products) –provides a fast, effective method of dust control.
- Spray Adhesives –Generally composed of polymers in a liquid or solid form mixed with water to form an emulsion that is sprayed on the soil surface. The mixing ratios and application rates will be in accordance with the manufacturer’s recommendations for the specific soils on the site. Adhesives shall not be applied to wet soils or if there is a probability of precipitation within 48 hours.

For areas subject to traffic (traveling public or construction traffic) products and materials may be applied or placed on soil surfaces to prevent airborne migration of soil particles, including:

- Water Sprinkling – The site may be sprayed with water until the surface is wet. This is especially effective on haul roads and access routes.
- Polymer Additives –Polymers shall be mixed with water and applied to the driving surface using mixing ratios and application rates in accordance with the manufacturer’s recommendations. No application of the polymer will be made if there is a probability of precipitation within 48 hours of its proposed use. Any polymers must be used in accordance with the NYSDEC issued “Conditions for Use” and “Application Instructions.” This information can be obtained from the NYSDEC website.
- Barriers – Woven geotextiles or stone can be placed on the driving surface to effectively reduce dust throw and particle migration on haul roads.
- Windbreak – A silt fence or similar barrier can control air currents at horizontal intervals equal to ten times the barrier height. Preserve existing vegetation that acts as a wind barrier as much as practical.
- Wheel Washing – Mechanical or manual wet-method cleaning of on-road construction vehicle tires prior to leaving site.

**SPECIAL NOTE****GENERATOR KNOWLEDGE FOR DISPOSAL OF TREATED WOOD**

The U.S. Environmental Protection Agency (EPA) and New York State Department of Environmental Conservation (NYSDEC) technique for evaluating whether a material is hazardous for toxicity is the Toxicity Characteristic Leaching Procedure (TCLP). TCLP testing of pentachlorophenol (“penta”) and creosote treated wood by the Electric Power Research Institute, Association of American Railroads, and others has conclusively demonstrated that treated wood products are not a hazardous waste. Under EPA’s and NYSDEC’s rules, such “generator knowledge” can be utilized in place of testing to determine that a waste is not hazardous. This information can be used as evidence that treated wood products can be disposed as non-hazardous waste, based on generator knowledge, in lieu of physical testing.

Generator knowledge information, obtained from the American Wood Preservers Institute (AWPI) can be viewed at their web site located at [www.awpi.org](http://www.awpi.org) . AWPI’s information comes from studies conducted by the Electric Power Research Institute (EPRI), the Washington Public Ports Association (WPPA), and the Association of American Railroads (AAR). EPRI test results are for both penta-treated and creosote-treated wood. WPPA and AAR test results are for creosote-treated wood.

*NOTE:* Arsenically-treated (*e.g.*, chromated copper arsenate [CCA]) wood products disposed by the end user are exempt from classification as a federal hazardous waste regardless of the TCLP results for specified constituents from any individual sample. Also, wood products treated with preservatives that contain no TCLP constituents (*e.g.*, Kodiak Preserved Wood containing Copper Dimethyldithiocarbamate) are not hazardous waste.

**SPECIAL NOTES**  
**FOREST INSECT DISEASE CONTROL**

**MOVEMENT OF WOOD MATERIALS FROM PROJECT SITES**

Pursuant to New York State Department of Environmental Conservation (NYSDEC) Regulations, 6NYCRR, part 192.5, *Firewood Restrictions to Protect Forests from Invasive Species*, it is unlawful to transport any firewood material more than 50 miles from its point of origin to limit the spread of invasive insect species. “Firewood” shall mean all wood of any species, cut or not cut, split or not split, regardless of length which is (a) in a form and size appropriate for use as a fuel, or (b) which is destined for use as a fuel. Firewood shall not include kiln-dried dimensional lumber, wood that has been chipped to a maximum piece size that is no greater than 1-inch in two dimensions, or logs or wood being transported to sawmills or other manufacturing facilities for use in their primary operations. All Thruway Authority (TA) projects are subject to this requirement. Additional information can be found at the following link: <http://www.dec.ny.gov/regs/4079.html>

If firewood is to be moved within 50 miles of its point of origin a “Self-Issued Certificate of Origin for Transport and Possession of Untreated Firewood” must be completed. This form can be found at the following link: [http://www.dec.ny.gov/docs/lands\\_forests\\_pdf/selfisscert.pdf](http://www.dec.ny.gov/docs/lands_forests_pdf/selfisscert.pdf)

**INVASIVE SPECIES AND QUARANTINE MATERIALS MOVEMENT**

NYSDEC Regulations, 6NYCRR, part 192.6, *Quarantine Orders*, No person shall fail to comply with the provisions of any quarantine order issued by the Department pursuant to Environmental Conservation Law (ECL) section 9-1303. To the extent the provisions of section 192.5 *Firewood Restrictions to Protect Forests from Invasive Species* and such quarantine order are in conflict, the more restrictive provision shall apply. TA is under New York State and Federal ash quarantines where it is unlawful to transport any ash material outside of several counties (see quarantine maps at [http://www.agriculture.ny.gov/PI/eab/emerald\\_ash\\_borer\\_quarantine.pdf](http://www.agriculture.ny.gov/PI/eab/emerald_ash_borer_quarantine.pdf) and <http://www.dec.ny.gov/animals/47761.html>). Therefore, any parts of ash trees, including leaves, bark, stumps, limbs, branches, roots, and ash logs of any length, and firewood (see above for definition of firewood) from ANY tree species, are all considered regulated articles and must be handled properly. Tree-felling, clearing and grubbing operations at project sites may result in the contractor’s need to handle materials from ash tree species and/or firewood or chips from ANY tree species. To the greatest extent possible in areas of clearing and grubbing, ash trees should be pre-identified and marked prior to commencement of construction to promote the proper handling of these materials.

Un-infested ash materials in any form may be moved offsite, but only within the quarantine zone. Firewood from ANY tree species may never be moved more than 50 miles and never from the quarantine area, into non-quarantine areas. Transport of any wood needs the required transport certificate: [http://www.dec.ny.gov/docs/lands\\_forests\\_pdf/selfisscert.pdf](http://www.dec.ny.gov/docs/lands_forests_pdf/selfisscert.pdf)

Note: According to the quarantine maps, several parts of the Thruway are the boundary between the quarantine area (south) and the non-quarantine area (north). Therefore, transport of any wood material would be prohibited across the roadway from south to north, but acceptable from north to south.

Note: Any ash materials that are known or suspected to be infested with live emerald ash borer pests in any life stage must be reported immediately to the EIC and/or designee for further appropriate action and coordination with regulatory agencies.

**SPECIAL NOTES**  
**FOREST INSECT DISEASE CONTROL**

Any ash materials chipped to a size no greater than 1-inch in at least two dimensions is considered safe to be transported outside the quarantine zone, but only in accordance with a Chip/Mulch Agreement and Transport Agreement received from the NYS Department of Agriculture and Markets (NYSDAM). If any regulated ash materials must be moved outside of the currently quarantined area, a certification from the NYS Department of Agriculture and Markets (NYSDAM) or USDA Animal & Plant Health Inspection Service (APHIS) must be obtained. For further information see the following links:

<http://www.dec.ny.gov/animals/47761.html>

<http://www.agriculture.ny.gov/PI/eab.html>



**MARKER RELOCATION DURING CONSTRUCTION**  
**EXISTING MILE MARKERS AND TENTH-MILE MARKERS AND DELINEATORS**

All mile markers and tenth-mile markers are to be maintained during construction of this project. The Contractor will be allowed to temporarily relocate them to avoid damage to them or for constructability purposes. The mile markers and tenth-mile markers may be moved but the new location must be visible to traffic and be reasonably close to their original location. The mile markers must be returned to their original location upon completion of construction at that location. Cost for this work shall be included in the bid price for the various pay items in the contract, unless the work is specifically called for in the contract documents.

If the contract calls for replacement of existing mile markers and/or tenth-mile markers, they shall remain in place, or reset to a location reasonably close to their original location, until the new markers are installed.

**MATERIAL TRANSFER VEHICLE (MTV)**

The Contractor is required to use a self-propelled Material Transfer Vehicle (MTV) to transfer asphalt pavement from the hauling units to the paving equipment when placing asphalt for mainline paving.

The MTV system shall be specifically designed and constructed for the purpose of unloading delivery vehicles, storing, and remixing asphalt materials, and transferring materials to the paver. No substitutes such as pick-up machines will be allowed. The MTV shall have a storage bin and a conveyor system to deliver the asphalt mixture to the paving equipment. In addition to the MTV, the asphalt paver shall be equipped with a paver hopper insert. The paver hopper insert, or MTV shall have a remixing auger system capable of continuously blending the asphalt for the purposes of eliminating segregation in the finished mat. The combined minimum storage capacity of the MTV and paver hopper insert shall be 30 tons. The Engineer shall approve all equipment prior to commencement of paving.

Use of the MTV system for paving on bridge structures is not required. The MTV system shall not exceed maximum legal loadings when crossing structures.

An MTV will not be required when placing Truing and Leveling pavement courses.

Operation of the MTV shall be non-contact with the paver and controlled by an auto tracking mechanism that synchronizes the machine's forward speed with the paver. The MTV shall provide continuous flow of asphalt to the paver during daily paving operations. If a discontinuous flow of asphalt occurs or if excessive segregation is evident in the finished surface, paving shall be halted and the Contractor must take necessary corrective actions prior to the resumption of paving.

General operation and cleaning restrictions of the MTV shall meet the requirements of Section 404 for Pavers.

The cost for the MTV and paver hopper insert shall be included under the appropriate asphalt pavement items.

## SPECIAL NOTE

### PG BINDER AND MIX DESIGN LEVEL

Requirements of this note apply to all Section 402 and Section 404 Asphalt (HMA and WMA) items in this contract, except for shim, permeable base, temporary pavements, and miscellaneous, which may use non-modified PG binders such as PG 64S-22 and PG 64H-22.

#### PG BINDER

Use polymer or Terminal Blend Crumb Rubber modified **PG 64E-22** (Extreme) meeting the requirements of AASHTO M 332, *Standard Specification for Performance Graded Asphalt Binder using Multiple Stress Creep Recovery (MSCR)*, for the production of hot mix asphalt mixtures for this project. In addition, the binder grade must also meet the **elastomeric** properties as indicated by one of the following equations for %R<sub>3.2</sub>:

1. For  $J_{nr3.2} \geq 0.1$ ,  $\%R_{3.2} > 29.371 * J_{nr3.2}^{-0.2633}$
2. For  $J_{nr3.2} < 0.1$ ,  $\%R_{3.2} > 55$

Where

R<sub>3.2</sub> is % recovery at 3.2 kPa

J<sub>nr 3.2</sub> is the average non-recoverable creep compliance at 3.2 kPa

When terminal blend CRM PG binder is used, the following shall apply:

- Crumb rubber particles shall be finer than #30 sieve size.
- The CRM PG binder shall be storage-stable and homogeneous.
- The Dynamic Shear Rheometer (DSR) shall be set at 2-mm gap.
- The CRM PG binder shall be 99% free of particles retained on the 600 µm sieve as tested in accordance with Section 5.4 of M 332.

Use of poly-phosphoric acid (PPA) to modify the PG binder properties is prohibited for mixtures containing limestone, limestone as an aggregate blend component, limestone as a constituent in crushed gravel aggregate, or recycled asphalt pavement (RAP) that includes any limestone. This prohibition also applies to the use of PPA as a cross-linking agent for polymer modification.

#### MIX DESIGN

The mixture designs must be developed in accordance with the criteria specified in the HMA items that are appropriate for the Mixture Design Level of **75 Gyration**s.

**Note:** The PG binder for this project will be modified with polymer or CRM additives to meet the requirements stated above. Handling of the HMA shall be discussed at pre-construction and pre-paving meetings.

## HMA WITH CRUSHED GLASS

**SCOPE.** This specification covers the requirements for the addition of crushed glass to hot mix asphalt mixtures. The provisions of Section 402 - Hot Mix Asphalt (HMA) Pavements applies except that the Contractor has the option of blending of the crushed glass in the following mixes:

- 1 1/2 inch Nominal Max. Size
- 1 inch Nominal Max. Size
- 3/4 inch Nominal Max. Size
- Truing and Leveling Course

If the Contractor chooses the crushed glass option, the following modifications to the Standard Specifications shall apply:

### MATERIAL REQUIREMENTS

Crushed glass shall be subject to the approval of the Regional Materials Engineer prior to its use. The crushed glass shall contain no more than 1% (by weight) contaminants and shall meet the following gradation:

| Sieve Size | Percent Passing |
|------------|-----------------|
| 3/8 inch   | 100             |
| 1/4 inch   | 90 - 100        |
| No. 30     | 0 - 20          |

Note: The gradation requirements may be modified upon approval by the Regional Materials Engineer.

Crushed glass may be included in the mixture up to 5%, maximum, of the total aggregate weight. The crushed glass, aggregate, and Performance-Graded Binder (PGB) shall meet the requirements specified in the Standard Specification §401-2.01 Hot Mix Asphalt Designs and §401-2.04 Performance-Graded Binder.

### CONSTRUCTION DETAILS

The crushed glass shall be proportioned from a separate feed bin approved by the Regional Materials Engineer. In addition, all requirements pertaining to aggregate shall apply to crushed glass including the equipment requirements for automatic proportioning and recording as stipulated for aggregate in §401-3.08.

**METHOD OF MEASUREMENT.** The provisions of §401-4 and §402-4, Method of Measurement, shall apply.

**BASIS OF PAYMENT.** The provisions of §402-5, Basis of Payment, shall apply.

## USE OF RECLAIMED ASPHALT SHINGLES (RAS) IN THE PRODUCTION OF ASPHALT MIXTURES

**DESCRIPTION.** The requirements below cover the use of Reclaimed Asphalt Shingles (RAS) in the production of asphalt mixtures. Sections 401 and 402 of the NYS Standard Specifications apply except as modified herein.

### MATERIAL REQUIREMENTS

The Contractor has the option of using the following:

- Manufactured Waste (MW) RAS may be used in shim, base, binder, and top courses (excluding 6.3 HMA Top Course, Waterproofing Bridge Deck Overlay, and Ice Retardant mixtures).
- Post Consumer Waste (PCW) RAS and may be used in shim, base and binder courses.

The RAS must be stockpiled at the plant facility and shall be subject to the approval of the Regional Materials Engineer (RME) prior to its use. RAS shall meet the following requirements:

- Shall be from a source that has obtained a beneficial use determination (BUD) from the NYS Department of Environmental Conservation (DEC) as specified in 6 NYCRR 360-1.15.
- Shall be certified to be asbestos free.
- Shall be completely free of nails. In addition, it shall contain no more than 1% by weight of other deleterious materials such as glass, wood, plastic, etc.
- Shall meet the following gradation:

| Sieve Size      | Percent Passing |      |
|-----------------|-----------------|------|
|                 | Min.            | Max. |
| ¼ inch (6.3 mm) | 100             | -    |
| #4 (4.75 mm)    | 90              | 100  |
| #8 (2.36 mm)    | 75              | 90   |
| #16 (1.18 mm)   | 50              | 70   |
| #30 (0.600 mm)  | 30              | 55   |
| #50 (0.300 mm)  | 15              | 40   |
| #100 (0.150 mm) | 5               | 25   |
| #200 (0.075 mm) | -               | 15   |

The maximum RAS allowed in the mixture is 2% by weight of the total mixture. A Control Plan for using shingles in HMA shall be developed and submitted to the Regional Materials Engineer detailing the control and testing of the stockpiles. RAS shall be uniformly blended with RAP to reduce clumping and must be stockpiled separate from other stockpiles. Other methods of reducing RAS clumping can be utilized with the approval of the RME.

**Rejuvenator.** A rejuvenator shall be added to PCW RAS using a pugmill or similar equipment to pre-blend and stockpile the rejuvenated PCW RAS. Alternatively, a spray system may be used to spray the rejuvenator onto the PCW RAS prior to its introduction into the plant mixer. The

## USE OF RECLAIMED ASPHALT SHINGLES (RAS) IN THE PRODUCTION OF ASPHALT MIXTURES

rejuvenator shall meet the requirements of ASTM D 4552, *Standard Practice for Classifying Hot-Mix Recycling Agents*. Other liquid products or methods which facilitate softening of the PCW RAS binder may be used with the approval of the Regional Materials Engineer. The application rate shall be as recommended by the rejuvenator supplier.

**Mixture Design.** Prior to production of the HMA, the mixture design shall be developed to meet all the requirements in the latest Materials Method (MM) 5.16, *Hot Mix Asphalt (HMA) Mixture Design and Mixture Verification Procedures*, available on the Department's website. The mixture design shall also meet the performance test criteria listed in the table below. The testing must be performed by an AASHTO Materials Reference Laboratory (AMRL) approved laboratory that has the capability of performing these tests. When RAS is used in conjunction with RAP, the total percentage of reclaimed material shall not exceed the maximum of 20% for Top Course and Binder Course, and 30% for Base Course currently allowed under the specifications during the production of HMA.

### Mixture Performance Test Requirements

| Tests   | Specification Criteria |
|---|------------------------|
| Dynamic Modulus, AASHTO TP 79                           | Report                 |
| Flow Number, AASHTO TP 79                               | 200, min.              |
| Flexural Beam Fatigue, AASHTO T 321, 750 $\mu$ -Strains | 10,000 cycles, min.    |
| Overlay Tester, TxDOT TEX-248F                          | 300 cycles, min.       |

**Reclaimed PG Binder Ratio:** The ratio of reclaimed PG binder from the RAP and RAS to the total PG binder content shall not exceed 0.2.

### CONSTRUCTION DETAILS

The provisions of Section 401 and Section 402 apply except that the RAP/RAS stockpile shall be tested at a frequency of at least once per day of production to determine the asphalt content and the gradation of the combined reclaimed material.

**REINFORCEMENT FOR CEMENT CONCRETE**

Bar reinforcement and wire fabric specified in the Contract Documents shall be in accordance with the following:

**Bar Reinforcement** used on this project shall meet the requirements of Section 709-01 *Bar Reinforcement, Grade 60*, or Section 709-14 *Bar Reinforcement, Grade 75*, as detailed on the plans. No substitutions will be allowed. Bar reinforcement (for the items listed below) shall be galvanized and fabricated in accordance with ASTM A767 and meet the requirements of Section 709-11 *Galvanized Bar Reinforcement*. The requirements of ASTM A767 Section 6.8 (Chromating) will not be waived.

**Wire Fabric Reinforcement** used on this project (for the items listed below) shall meet the requirements of Section 709-02 *Wire Fabric for Concrete Reinforcement*. Any Wire Fabric Reinforcement required for the items listed below shall be galvanized in accordance with Section 719-01 *Galvanized Coatings and Repair Methods*, Type I. Galvanized Wire Fabric Reinforcement shall be fabricated and galvanized in accordance with ASTM A123 and ASTM A767. The requirements of ASTM A767 Section 6.8 (Chromating) will not be waived.

Item Numbers that require the use of **Galvanized Bar Reinforcement** and/or **Galvanized Wire Fabric Reinforcement** on this project are as follows:

580.51030525

**Reinforcement for Reinforced Concrete Pipe and Related Drainage Structures** shall meet the requirements of Section 706 – *Concrete, Clay, and Plastic Pipe*.

**SPECIAL NOTES:****GUIDE RAIL DOWNTIME RESTRICTIONS**

This contract contains restrictions on the amount of time that any run of guide rail may be out of service or that installation of new runs may be deferred. The Contractor is advised to be aware of these restrictions when preparing bids and scheduling work for this contract. Failure, as determined by the Engineer, to comply with the time frames specified will result in assessment of nonpayment for Item 619.01 Basic Maintenance & Protections of Traffic (or the appropriate item for special project types) for each calendar day during which the cited guide rail installation is not complete. In addition, liquidated damages will also be assessed at rates shown in Table 108-1 of Section 108.03.

Guide rail shall not be removed from any location where traffic is being maintained until the Contractor or Sub-Contractor is prepared to fully install the new section of rail and its terminals. The Contractor shall replace all rail on the same work shift as removed. Installation work on any individual location shall continue until all railing at that location has been installed.



**REQUIRED DOCUMENTATION FOR**  
**ALL ATTENUATING TERMINALS FOR GUIDE RAIL**  
**AND ALL ATTENUATORS**

A minimum of two (2) weeks prior to installing any materials required under these items, the Contractor shall submit to the Engineer two (2) copies of the Manufacturer's Drawings, Design Manuals, Installation Manuals, and Maintenance Manuals prepared for the product and one (1) copy of the same manuals intended for the Section Supervisor of the Section where the unit is being installed. The project being installed shall be the manufacturer's most current approved unit. The submitted drawings and manuals shall match the provided product. The Contractor shall install the crash-cushion only after receiving authorization from the Engineer to do so. No payment shall be made until all the above drawings and manuals have been transmitted to the Engineer and the Section Supervisor.

Reflective sheeting shall be applied to the nose of each attenuating device installed. If sheeting is not specified, it shall consist of alternating 4-inch-wide yellow retroreflectorized stripes and black opaque stripes placed diagonally at 45 degrees or in chevron formation as directed by the Engineer. The retroreflectorized stripes shall conform to §730-05, Reflective Sheeting, ASTM Type IX (Class E). The reflective sheeting shall be rectangular in shape and cover the entire approach end of the attenuating terminal or attenuator. The cost of the reflective sheeting shall be included in the bid price for each attenuator and attenuating terminal.

**SPECIAL NOTES:****BOX BEAM GUIDERAIL ITEMS 606.1203 AND ITEM 606.1403**

The Contractor shall only use the Box Beam Guide Rail End Assembly – Type III or Box Beam Median Barrier End Assembly – Type C that employs a box beam bursting type mandrel to absorb the energy of the impacting vehicle, otherwise known as the MASH MBEAT (MASH Box Beam Bursting Energy Absorbing Terminal) for 6"x6" Box Beam guide rail or the (NCHRP-350) BEAT-MT (Median Terminal) for 6"x8" Box Beam Median Barrier.

Vendor contact information is as follows:

**ROAD SYSTEMS, INC.**

Central Headquarters and Manufacturing

3616 Old Howard County Airport

Big Spring, TX 79720

Phone: (432) 263-2435

FAX: (432) 267-4039

Website: <http://www.roadsystems.com/contactus.htm>

**DELIVERY AND PICK-UP**  
**OF**  
**SIGN PANELS, MILE MARKERS, DELINEATORS AND SNOWPLOW MARKERS**

Overhead and ground-mounted sign panels, mile markers, delineators and/or snowplow markers included in the project will be supplied by the Thruway Authority and delivered to Newburgh Section Maintenance for pick-up by the Contractor located at: 1309 Route 300, Newburgh, NY 12550 (I-87 Exit 17, Newburgh, MP 60.10 - Entrance to the maintenance yard is found on the north side of the Newburgh Toll Plaza). The Contractor shall request the signs from the Engineer a minimum of 45 days prior to the scheduled installation. The Contractor shall inspect the condition of the signs and notify the Engineer of any defects prior to pick-up.

## US CUSTOMARY ASPHALT PRICE ADJUSTMENT

| ASPHALT PRICE ADJUSTMENT <sup>1</sup> CONVERSION FACTORS               |                                      |  |
|--|--------------------------------------|--|
| MATERIAL DESCRIPTION   | CONVERSION FACTOR                    | ITEM NUMBER <sup>2</sup>   |
| Bituminous Stabilized Course   | 0.065 t PGB/yd <sup>3</sup>          | 302.01   |
| Asphalt Treated Permeable Base, Type 2                                 | 0.035 t PGB/t                        | 402.01190X, 404.01190X   |
| Shim Course  | 0.0825 t PGB/t                       | 402.05890X, 404.05890X   |
| 6.3 Top Course   | 0.067 t PGB/t                        | 402.06XXXX, 404.06XXXX   |
| 9.5 Top Course, T&L, Shoulder Course                                   | 0.062 t PGB/t                        | 402.09XXXX, 402.41890X, 404.09XXXX, 404.41890X                         |
| 12.5 Top Course, T&L, Shoulder Course                                  | 0.055 t PGB/t                        | 402.12XXXX, 402.42890X, 404.12XXXX, 404.42890X                         |
| 19 Binder Course   | 0.049 t PGB/t                        | 402.19XXXX, 402.43890X, 404.19XXXX, 404.43890X                         |
| 25 Binder Course   | 0.045 t PGB/t                        | 402.25XXXX, 402.44890X, 404.25XXXX, 404.44890X                         |
| 37.5 Base Course   | 0.040 t PGB/t                        | 402.37XXXX, 404.37XXXX   |
| Paver Placed Surface Treatment, Types A, B, and C                      | 0.064 t PGB/t                        | 415.0X0F0118   |
| Micro-Surfacing, Quick-Set Slurry                                      | 0.078 t PGB/t                        | 413.0X0F0118, 414.0X0F0118   |
| Straight Tack Coat   | 0.0026 t PGB/gal                     | 407.0103   |
| Asphaltic Sealants (ASTM 6690)   | 0.0027 t PGB/gal                     | 402.75XXXX18, 402.76XX0018   |
| Chip Seal  | 0.0027 t PGB/gal                     | 410.30, 410.02030006   |
| Asphalt Emulsion for Cold Recycling                                    | 0.0027 t PGB/gal                     | 416.02XX00RR, 416.20XX00RR, 416.2X, 416.21XX00RR                       |
| Fog Seal and Dilute Tack Coat  | 0.0016 t PGB/gal                     | 407.0102407.01XXXXRR, 410.40, 416.30, 416.040000RR, 416.300000RR       |
| PG Binder for Cold Recycling   | 0.0043 t PGB/gal                     | 416.22, 416.030000RR, 416.22000018                                     |
| Asphaltic Sealant – Clean & Seal                                       | 0.00004 t PGB/LF<br>0.225 t PGB/LNMI | 402.76XX0008, 412.76XX0001   |
| Asphaltic Sealant – Treating Cracks                                    | 0.240 t PGB/LNMI                     | 412.76040001   |
| Asphaltic Sealant – Rout & Seal  | 0.00005 t PGB/LF<br>0.270 t PGB/LNMI | 402.760100RR, 412.760100RR, 412.760300RR                               |
| Repair of HMA Pavement, Temporary Asphalt                              | See Note 4                           | 633.14, 633.15, 633.16, 619.06xx                                       |
| Truing and Leveling, Asphalt Sidewalks, Driveways, Bike Paths, Gutters | See Note 5                           | 402.01790X, 402.01890X, 404.01790X, 404.01890X, 608.020102, 624.02XXXX |
| Waterproof Bridge Deck Overlay   | 0.0725 t PGB/t                       | 402.907X0X18   |

**US CUSTOMARY ASPHALT PRICE ADJUSTMENT****ASPHALT PRICE ADJUSTMENT<sup>1</sup> CONVERSION FACTORS****Notes:**

1. In accordance with Standard Specification §698-3.01, the index value for the asphalt price adjustment is the average posted price of Performance Graded Binder (PGB) for the month of bid letting.
2. Item Number - This is the contract pay item number under which these materials are most frequently paid. Unless indicated otherwise, materials similar to those indicated under the column entitled "Material Description" are also eligible for adjustment using the factor listed for a similar material with the same pay unit regardless of the actual contract pay item number.
3. Quality Adjustment Items (402/404/608/624) are not eligible for asphalt price adjustment.
4. Asphalt Price Adjustment Conversion Factor based on unit of TON of asphalt placed, not the pay unit of this item. The conversion factor for HMA Pavement Repair and Temporary Asphalt will be based on the actual asphalt mixture used.
5. The conversion factor for Truing and Leveling, Driveways, and other items that allow asphalt mix options, will be based on the actual asphalt mixtures used.
6. A two-digit suffix (RR) at the end of a contract pay item indicates a special specification.
7. The conversion factors for HMA mixed with slag shall be increased by 25%.
8. t = ton; LF = linear feet; LNMI = lane miles

## US CUSTOMARY FUEL PRICE ADJUSTMENT

| FUEL PRICE ADJUSTMENT <sup>1</sup> CONVERSION FACTORS    |                          |   |
|--|--------------------------|---|
| MATERIAL DESCRIPTION                                     | CONVERSION FACTOR        | ITEM NUMBER <sup>2</sup>  |
| Unclassified Excavation                                  | 0.35 gal/yd <sup>3</sup> | 203.02  |
| Embankment   | 0.10 gal/yd <sup>3</sup> | 203.03, 620.XX  |
| Fill   | 0.45 gal/yd <sup>3</sup> | 203.05, 203.06, 203.07, 203.08XX, 203.20, 203.21, 203.25  |
| Controlled Low Strength Material                         | 1.00 gal/yd <sup>3</sup> | 204.01, 204.02, 204.03, 204.04  |
| Trench/Culvert/Structure Excavation                      | 0.50 gal/yd <sup>3</sup> | 206.01, 206.0201  |
| Bituminous Stabilized Course                             | 1.40 gal/yd <sup>3</sup> | 302.01, 307.01  |
| Subbase Course   | 1.00 gal/yd <sup>3</sup> | 304 Items   |
| Asphalt Mixtures   | 2.50 gal/ton             | 402 Items <sup>3</sup> , 404 Items <sup>3</sup> , 405.01, 608.020102 <sup>3</sup> , 619.0601 <sup>4</sup> , 624.02XXXX <sup>3,4</sup> , 633.14 <sup>3,4</sup> , 633.15 <sup>3,4</sup> , 633.16 <sup>3,4</sup> |
| Milling  | 0.10 gal/yd <sup>2</sup> | 490 Items   |
| Portland Cement Concrete Pavement                        | 1.00 gal/yd <sup>3</sup> | 502 Items <sup>3</sup> , 503.0101, 503.1011, 503.1012   |
| Fill Type Retaining Walls                                | 0.45 gal/yd <sup>3</sup> | 554.30XX <sup>5</sup> , 554.31 <sup>5</sup> , 554.4X <sup>5</sup>   |
| Footing Concrete & Concrete for Structures – All classes | 1.00 gal/yd <sup>3</sup> | 555 Items, 582.05   |
| Approach Slabs   | 0.33 gal/yd <sup>2</sup> | 557.2001, 557.2002, 557.2003, 557.2009, 557.22  |
| Structural Slabs with bottom formwork                    | 0.25 gal/yd <sup>2</sup> | 557.01XX, 557.07, 557.30, 557.41XX  |
| Structural Slabs - no bottom formwork                    | 0.15 gal/yd <sup>2</sup> | 557.05XX, 557.09, 557.43XX  |
| Class D and Overlay Concrete                             | 0.05 gal/yd <sup>2</sup> | 557.13, 584 Items   |
| Concrete Barrier, Type A                                 | 0.16 gal/ft              | 606.3001, 606.3021, 606.3031  |
| Concrete Barrier, Type B                                 | 0.19 gal/ft              | 569.01, 606.3002, 606.3022, 606.3032  |
| Concrete Barrier, Type C                                 | 0.22 gal/ft              | 606.3003, 606.3023, 606.3033  |
| Concrete Barrier, Half Section                           | 0.11 gal/ft              | 569.02, 569.06, 606.3004, 606.3024, 606.3034  |
| Concrete Barrier, Single Slope                           | 0.23 gal/ft              | 569.05, 569.07, 606.3041, 606.3043, 606.3044  |
| Concrete Barrier Texas & Wide, Single Slope              | 0.28 gal/ft              | 569.08, 606.3051, 606.3053, 606.3054  |
| Concrete Barrier Half Section, Single Slope              | 0.17 gal/ft              | 569.04, 606.3061, 606.3063, 606.3064  |
| Vertical Faced Concrete Parapet                          | 0.10 gal/ft              | 569.03  |
| Gravel, Stone, Slag                                      | 1.00 gal/yd <sup>3</sup> | 411.01, 411.02, 411.03, 623.1X  |
| Concrete Sidewalks and Driveways                         | 1.00 gal/yd <sup>3</sup> | 608.01XX  |
| Topsoil  | 0.45 gal/yd <sup>3</sup> | 610.10, 610.11XX, 610.14XX  |
| Turf Establishment - Performance                         | 0.05 gal/yd <sup>2</sup> | 610.16010020  |

## US CUSTOMARY FUEL PRICE ADJUSTMENT

FUEL PRICE ADJUSTMENT<sup>1</sup> CONVERSION FACTORS**Notes:**

1. In accordance with Standard Specification §698-3.02, the index value for the fuel price adjustment is the posted price for the month of bid letting.
2. Item Number - This is the contract pay item number under which these materials are most frequently paid. Unless indicated otherwise, materials similar to those indicated under the column entitled "Material Description" are also eligible for adjustment using the factor listed for a similar material with the same pay units regardless of the actual contract pay item number.
3. Quality Adjustment Items (402/404/502/608/624) are not eligible for fuel price adjustment.
4. Fuel Price Adjustment Conversion Factor based on units of TONS of asphalt placed, not the pay units of this item.
5. Fuel Price Adjustment Conversion Factor based on units of CY of backfill paid under this item, not the pay units of this item.

**SPECIAL NOTE:**  
**CONCRETE BARRIER TO GUIDE RAIL AND MEDIAN BARRIER**

Concrete barrier sections that connect to other types of guide rail or median barrier (box beam, corrugated beam, thrie beam, etc.) shall be pre-cast in accordance with Section 704-05.



# **Compliance Requirements and Procedures**

*For Participation of  
Disadvantaged/Minority/Women/Service-Disabled Veteran-Owned  
Business Enterprises  
and  
Equal Employment Opportunity  
on  
NYS Thruway Authority Contracts*

**(DBE/MWBE/SDVOB/EEO)**

**CONTRACT GOALS FOR DBE/MWBE/SDVOB PARTICIPATION**

The New York State Thruway Authority herein after, (“Authority”) is committed to providing and ensuring Minority-owned Business Enterprises (MBE), Women-owned Business Enterprises, (WBE) Service-Disabled Veteran-owned Business Enterprises (SDVOB) and Disadvantaged Business Enterprises (DBE) with opportunities to participate in the Authority’s contracting and procurement processes in accordance with Title 49, Part 26 of the United States Code of Federal Regulations (CFR), New York State Executive Law, Articles 15-A, 17-B, and all applicable federal and state laws, rules, regulations and Executive Orders, including but not limited to Executive Order 177 - Prohibiting State Contracts with Entities that Support Discrimination, as incorporated herein and/or contained in the NYS Department of Transportation Standard Specifications Section 102, “Bidding Requirements and Conditions” to the extent applicable to the contract.

Goal(s) have been established for this Contract/Agreement, expressed as a percentage of the total Contract/Agreement amount as follows:

**Disadvantaged Business Enterprise - DBE** (Federal-Aid)

Disadvantaged Business Enterprise (DBE) Participation Goal: \_\_\_\_\_%

Directories and/or Information related to the current certification status of Disadvantaged Business Enterprises can be obtained from the New York State Certified DBEs website at: <https://nysucp.newnycontracts.com>

**Minority/Women-Owned Business Enterprise - MWBEs** (Non Federal-Aid)

Minority Business Enterprise (MBE) Participation Goal \_\_\_\_\_ 0 %

Women's Business Enterprise (WBE) Participation Goal \_\_\_\_\_ 0 %

Directories and/or information related to the current certification status of Minority/Women Business Enterprises can be obtained from the New York State Certified MWBE website at: <ny.newnycontracts.com>

**Service-Disabled Veteran-Owned Business Enterprise (SDVOB)**

Service-Disabled Veteran-Owned Business Participation Goal \_\_\_\_\_ 0 %

Directories and/or information related to the current certification status of Service-Disabled Veteran Business Enterprises can be obtained from the New York State Certified SDVOB website at: <ogs.nv.gov/veterans/>

**Equal Employment Opportunity**

Minority \_\_\_\_\_ 17.0 %

Female \_\_\_\_\_ 6.9 %

For more information about the development of the goals, see Federal Register, Vol. 45, No. 194, at 65976-65991 (October 3, 1980) (minorities) and Federal Register, Vol. 45, No. 251 at 85750-85751 (December 30, 1980) (females). The text of these Federal Register notices can be found: • Federal Register Notice: Vol. 45, No. 194, at 65976-65991 (October 3, 1980)

Training Special Provisions \_\_\_\_\_√\_\_\_\_\_ Yes \_\_\_\_\_ No

Training/Special Provision supplements each of the foregoing prescribed specific Equal Employment Opportunity percentage goals for utilization of minorities and women in the performance of work for the geographic location of the contract, included in this Proposal entitled “Equal Employment Opportunity (EEO) Requirements.”

CHART A

GOALS FOR MINORITY PARTICIPATION

| County            | %   | County           | %    | County             | %    |
|-------------------|-----|------------------|------|--------------------|------|
| Albany .....      | 3.2 | Herkimer .....   | 2.1  | * Richmond         |      |
| Allegany.....     | 6.3 | Jefferson .....  | 2.5  | Rockland .....     | 22.6 |
| Broome .....      | 1.1 | * Kings          |      | St. Lawrence ..... | 2.5  |
| * Bronx           |     | Lewis .....      | 2.5  | Saratoga .....     | 3.2  |
| Cattaraugus ..... | 6.3 | Livingston ..... | 5.3  | Schenectady .....  | 3.2  |
| Cayuga .....      | 2.5 | Madison .....    | 3.8  | Schoharie .....    | 2.6  |
| Chautauqua .....  | 6.3 | Monroe .....     | 5.3  | Schuyler .....     | 1.2  |
| Chemung .....     | 2.2 | Montgomery ..... | 3.2  | Seneca .....       | 5.9  |
| Chenango .....    | 1.2 | Nassau .....     | 5.8  | Steuben .....      | 1.2  |
| Clinton .....     | 2.6 | * New York       |      | Suffolk .....      | 5.8  |
| Columbia .....    | 2.6 | Niagara .....    | 7.7  | Sullivan .....     | 17.0 |
| Cortland .....    | 2.5 | Oneida .....     | 2.1  | Tioga .....        | 1.1  |
| Delaware .....    | 1.2 | Onondaga .....   | 3.8  | Tompkins .....     | 1.2  |
| Dutchess .....    | 6.4 | Ontario .....    | 5.3  | Ulster .....       | 17.0 |
| Erie .....        | 7.7 | Orange .....     | 17.0 | Warren .....       | 2.6  |
| Essex .....       | 2.6 | Orleans .....    | 5.3  | Washington .....   | 2.6  |
| Franklin .....    | 2.5 | Oswego .....     | 3.8  | Wayne .....        | 5.3  |
| Fulton .....      | 2.6 | Otsego .....     | 1.2  | Westchester .....  | 22.6 |
| Genesee .....     | 5.9 | Putnam .....     | 22.6 | Wyoming .....      | 6.3  |
| Greene .....      | 2.6 | * Queens         |      | Yates .....        | 5.9  |
| Hamilton .....    | 2.6 | Rensselaer ..... | 3.2  |                    |      |

\* The following goal ranges are applicable to the indicated trades in the Counties of Bronx, Kings, New York, Queens and Richmond.

|                                 |              |                                |              |
|---------------------------------|--------------|--------------------------------|--------------|
| Electricians.....               | 9.0 to 10.2  | Bricklayers.....               | 13.4 to 15.5 |
| Carpenters .....                | 27.6 to 32.0 | Asbestos workers.....          | 22.8 to 28.0 |
| Steam fitters .....             | 12.2 to 13.5 | Roofers .....                  | 6.3 to 7.5   |
| Metal lathers.....              | 24.6 to 25.6 | Iron workers (ornamental)..... | 22.4 to 23.0 |
| Painters.....                   | 26.0 to 28.6 | Cement masons.....             | 23.0 to 27.0 |
| Operating engineers .....       | 25.6 to 26.0 | Glaziers.....                  | 16.0 to 20.0 |
| Plumbers .....                  | 12.0 to 14.5 | Plasterers .....               | 15.8 to 18.0 |
| Iron workers (structural) ..... | 25.9 to 32.0 | Teamsters.....                 | 22.0 to 22.5 |
| Elevator constructors .....     | 5.5 to 6.5   | Boilermakers .....             | 13.0 to 15.5 |
|                                 |              | All others .....               | 16.4 to 17.5 |

GOALS FOR FEMALE PARTICIPATION

Goal \_\_\_\_\_ 6.9%

## **COMPLIANCE REQUIREMENTS AND PROCEDURES**

It is the policy of the New York State Thruway Authority (“Authority”) to comply with the provisions of Article 15-A of the New York State Executive Law, which requires that every contract over \$25,000 will afford equality of economic opportunities for minority group members and women, the facilitation of participation by minority-owned business enterprises and women-owned business enterprises. The Authority shall establish separate goals for participation of certified minority-owned business enterprises and women-owned business enterprises on all Authority contracts where applicable.

In addition, it is the policy of the Authority to ensure participation of DBEs on Federal-Aid contracts, pursuant to the provisions of Title 49, Part 26 of the United States Code of Federal Regulations.

Article 17-B of the New York State Executive Law provides for more meaningful participation in public procurement by certified Service-Disabled Veteran-Owned Business Enterprises (“SDVOBs”); thereby further integrating such businesses into New York State’s economy. The Authority recognizes the need to promote the employment of service-disabled veterans and to ensure that certified SDVOBs have opportunities for maximum feasible participation in the performance of Authority contracts.

The Authority is further committed to providing equal training and employment opportunities to minorities and women to participate in the Authority’s contracting and procurement processes, and by ensuring nondiscrimination in accordance with Appendix A - Standard Clauses for New York State Thruway Authority Contracts, including Clause 4 – Non-Discrimination Requirements, Clause 11 - Equal Employment Opportunities for Minorities and Women, Executive Order 11246, Executive Order 177, Training/Special Provisions and/or all applicable, federal, state, laws, rules, regulations and Executive Orders.

### **1. GENERAL PROVISIONS**

- A. The Contractor and/or all subcontractors/subconsultants, shall comply with the applicable laws, rules, regulations and provisions governed by this Contract/Agreement, in addition to any nondiscrimination or diversity practices and provisions of the Contract/Agreement at no additional cost to Authority.
- B. These provisions and requirements shall be included in all subcontracting/subconsultant contracts/agreements so that these requirements and provisions shall be binding upon all subcontractors/subconsultants, performing work under this Contract/Agreement.
- C. The Contractor/Consultant represents and warrants that, as a condition for award of the Contract, the Contractor/Consultant has submitted a Statewide Utilization Management Plan (“SUMP”) via the NYS Contract System (NYSCS) if required by Authority, which lists all proposed Subcontractors/ subconsultants including an identification of the NYS certified DBE/MWBE/SDVOB subcontractors/subconsultants/ suppliers the Contractor/Consultant intends to use to perform the Work of the Contract and to achieve the DBE/MWBE/SDVOB Contract Goals established in the Contract Documents. In addition, or alternatively, Contractor/Consultant may have submitted a request for a waiver. Prior to award of the Contract, the Authority approved Contractor’s/Consultant’s plan to achieve the DBE/MWBE/SDVOB Contract Goals established in the Contract Documents (DBE/MWBE/SDVOB Utilization Plan) to the extent the Authority did not approve Contractor’s/Consultant’s request for a waiver of part or all of the DBE/MWBE/SDVOB Contract Goals. The Authority approval of the DBE/MWBE/SDVOB Utilization Plan approves a Subcontractor/Subconsultant only for the purpose of the DBE/MWBE/SDVOB Utilization Plan.

**MBE PROVISIONS FOR NON-FEDERAL AID CONTRACTS AND AGREEMENTS****2. MINORITY/WOMEN-OWNED BUSINESS ENTERPRISES (MWBEs)**

In accordance with Article 15-A of the Executive Law, including regulations promulgated thereunder, the Authority has established the Minority-Owned Business Enterprise (“MBE”) and/or Women-Owned Business Enterprise (“WBE”) participation goals for this Contract/Agreement.. Contractor shall facilitate MWBE participation for the scopes of work to be performed under this Contract/Agreement, to satisfy the participation goals, or document good faith efforts taken to fulfill the goals in a manner prescribed by the Authority in accordance with the Compliance Requirements and Procedures specified herein.

The goals are applicable to the total amount payable under any Contract/Agreement awarded from this procurement and any changes made to the Contract/Agreement.

1. The Authority establishes MWBE goals for all applicable contracts. The MWBE goals for this Contract/Agreement are located on the “Contract Goals” page of this document and can also be found in the contractors/consultants documents for this Contract/Agreement.
2. For purposes of providing meaningful participation to certified MWBEs on this Contract/Agreement and in an effort to attain the certified MWBEs contract goals identified for this Contract/Agreement, the Contractor should reference the directory of MWBEs at the following internet address: [ny.newnycontracts.com](http://ny.newnycontracts.com).
3. The Contractor understands that only sums paid to MWBEs for the performance of a Commercially Useful Function, as that term is defined in 5 NYCRR § 140.1, may be applied towards the achievement of the applicable MWBE participation goal.

In the performance of this Contract/Agreement, the monetary value of fees, or markup percentage, charged by the MWBE shall be deemed to represent the Commercially Useful Function of the MWBE serving as a broker.

4. The Contractor agrees to provide, upon request by the Authority, documentation and/or evidence of actions taken to demonstrate “Good Faith Efforts,” in accordance with 5 NYCRR § 142.8, to provide meaningful participation by MWBEs as subcontractors and suppliers in the performance of this Contract/Agreement.

**3. MWBE UTILIZATION REQUIREMENTS**

The Contract’s/Agreement’s MWBE goals have been established by the Authority based on certified MWBE availability, job assignments, services to be performed and/or type of work to be performed under the Contract/Agreement.

In the performance of this Contract/Agreement, 60% of the total participation value shall be deemed to represent the Commercially Useful Function of the MWBE serving as a supplier and the mark up and/or broker’s fee shall represent the Commercially Useful Function of the MWBE serving as a broker.

- A. The Contractor shall certify that the Utilization Plan identifies all subcontractors/subconsultants reflected on Exhibit D of the Contract/Agreement.
- B. The Contractor agrees to adhere to the approved MWBE Utilization Plan in the performance of the Contract/Agreement.

- C. The Contractor further agrees that failure to submit and/or adhere to such MWBE Utilization Plan shall constitute a material breach of the terms of the Contract/Agreement. Upon the occurrence of such a material breach, the Authority shall be entitled to any remedy provided herein, including but not limited to, a finding that the Contractor is non-responsible.

#### **Utilization Plan - All Subcontractors (TA-W1022)**

#### **4. REPORTING**

The Contractor is required to submit forms TA-1023 or TA-W1059 on or before the 10<sup>th</sup> of each month, following the month being reported. Monthly reports must be submitted via email, to [Compliance@thruway.ny.gov](mailto:Compliance@thruway.ny.gov), however, during the term of the contract, the Contractor may arrange to provide such reports via a non-electronic method to the Authority by the 10<sup>th</sup> day following the end of each month during the term of the Contract/Agreement.

#### **TA-W1023 Payments to DBE/MWBE Subcontractor Firms**

#### **5. COMPLIANCE**

The Contractor will comply with any procedures and guidelines established by the Director of the Division of Minority and Women-Owned Business Enterprise (hereinafter the Director) under the authority of New York State Governor's Executive Order 8, issued August 3, 1983 (hereinafter Executive Order 8) and will comply with any rules, regulations and orders of the Director as may be promulgated pursuant to or under the authority of Executive Order 8, or other applicable law or order.

#### **6. MWBE WAIVERS**

- A. Prior to submission of a request for a partial or total waiver, Contractor shall speak to someone from the Authority's Office of Compliance for guidance.
- B. In accordance with 5 NYCRR § 142.7, a Contractor that is able to document good faith efforts to meet the goal requirements, as set forth herein, may submit a request for a partial or total waiver on Form TA-W1077, accompanied by supporting documentation. A Contractor may submit the request for waiver at the same time it submits its MWBE Utilization Plan.

Supporting documentation of good faith efforts shall include, but not be limited to:

1. Evidence of targeted and specific outreach to MWBEs;
2. Logs, written correspondence, records of telephone contacts and other information to document responses from MWBEs to the Contractor outreach;
3. Copies of advertisements for participation by MWBEs in appropriate general circulation, trade, and minority or women-oriented publications;
4. The dates of attendance at any pre-bid, pre-award, or other meetings, if any, scheduled by the Authority with MWBEs; and,

5. Information describing specific steps undertaken by the Contractor to reasonably structure the Agreement's scope of work to maximize opportunities for MWBE participation.
- C. If a request for waiver is submitted with the MWBE Utilization Plan and is not approved by the Authority at that time, the provisions of clauses (C - H) will apply.  
  
If the documentation included with the Contractor waiver request is complete, the Authority shall evaluate the request and issue a written notice of acceptance or denial within 20 business days of receipt.
  - D. Contractor shall attempt to utilize, in good faith, certified MWBEs, during the performance of the Contract/Agreement. Requests for a partial or total waiver of established goal requirements may be made to the Authority, at time of bid/proposal submission, subsequent to award of the Contract/Agreement or at any time during the term of the Contract/Agreement, but must be made no later than prior to the submission of a request for final payment on the Contract/Agreement.
  - E. If the Authority, upon review of the MWBE Utilization Plan and Monthly MWBE Form TA-1023 – Payments to DBE/MWBE/SDVOBs, determines that Contractor is failing or refusing to comply with the Contract's/Agreement's MWBE goals and no waiver has been granted in regards to such non-compliance, the Authority may issue a notice of deficiency to the Contractor.
  - F. The Contractor must respond to the notice of deficiency within seven business days of receipt. Such response may include a request for partial or total waiver of the Contract's/Agreement's MWBE goals.
  - G. If the Contractor, after making good faith efforts, is unable to achieve the MWBE goals stated herein, the Contractor may submit a request for a waiver to the Office of Compliance. Such waiver request must be supported by evidence of the good faith efforts by the Contractor to achieve the maximum feasible MWBE participation towards the applicable MWBE goals. If the documentation included with the waiver request is complete, the Authority shall evaluate the request and issue a written notice of approval or denial within twenty (20) business days of receipt.
  - H. If the Authority, upon review of the MWBE Utilization Plan and the forms TA-W1023 or TA-W1059 as described in Section 4, or any other relevant information, determines that the Contractor is noncompliant, deficient or failing to document the good faith efforts to meet the Contract's/Agreement's MWBE goals or requirements and no waiver has been issued in regards to such non-compliance, the Authority may issue a notice of deficiency to the Contractor. The Contractor must respond to the notice of deficiency letter within seven (7) business days of receipt. Such response may include a request for partial or total waiver of the Contract's/Agreement's MWBE goals.

Waiver requests shall be sent to the Authority's Office of Compliance at [Compliance@thruway.ny.gov](mailto:Compliance@thruway.ny.gov).

**Contractor Forms:**

Forms are located at: [thruway.ny.gov/business/contractors/forms/index.html](http://thruway.ny.gov/business/contractors/forms/index.html)

Questions regarding compliance with MWBE participation goals, requirements and provisions should be directed to the Authority's Office of Compliance.

**7. NON-COMPLIANCE**

- A. Where the Authority determines that the Contractor is not in compliance with the requirements specified herein and/or other contract requirements, refuses to comply with such requirements, or if the Contractor is found to have willfully and intentionally failed to comply with the MWBE participation goals, the Contractor may be found in breach of the contract, which may result in withholding of any mobilization pay item and monthly estimates, a delay in award of the Contract/Agreement, a finding that the Contractor is non-responsible, and/or the Authority may impose liquidated damages.
- B. Such liquidated damages shall be calculated as an amount equaling the difference between:
  1. All sums identified for payment to MWBEs had the Contractor achieved the contractual MWBE goals; and
  2. All sums actually paid to MWBEs for work performed or materials supplied under the Contract/Agreement.
- C. In the event a determination has been made by the Authority, after Contractor has been afforded due process, which requires the payment of liquidated damages, Contractor shall pay such liquidated damages to the Authority within sixty (60) days after such determination or the Authority shall have the ability to withhold such amount from Contractor unless prior to the expiration of such sixtieth day, the Contractor has filed a complaint with the Director of the Division of Minority and Women's Business Development pursuant to 5 NYCRR § 142.12, in which event the liquidated damages shall be payable or withheld from the Contractor only in the event of a determination adverse to the Contractor following the complaint process.



**SERVICE-DISABLED VETERAN-OWNED BUSINESS ENTERPRISES (SDVOB)**

Article 17-B of the New York State Executive Law provides for meaningful participation in public procurement by certified Service-Disabled Veteran-Owned Business Enterprises ("SDVOB"), thereby further integrating such businesses into New York State's economy. The Authority recognizes the need to ensure that certified SDVOBs have opportunities for maximum feasible participation in the performance of Authority contracts. In recognition of the service and sacrifices made by service-disabled veterans and in recognition of their economic activity in doing business in New York State, Contractor is required to foster participation of SDVOBs in the fulfillment of the requirements of the Contract/Agreement.

In accordance with Article 17-b of the Executive Law, including regulations promulgated thereunder, the Authority has established the SDVOB participation goals for this Contract/Agreement, set forth in the "Contract Goals" page of this agreement.

Contractor shall facilitate SDVOB participation for the scopes of work to be performed under this Contract/Agreement, and/or document good faith efforts taken to achieve the goals in a manner prescribed by the Authority in accordance with the Compliance Requirements and Procedures specified herein.

**1. SDVOB GOALS**

The goals are applicable to the total amount payable under this Contract/Agreement and any changes made to the Contract/Agreement.

1. The Authority establishes SDVOB goals for all applicable contracts/agreements. The SDVOB goals for this Contract/Agreement are located on the "Contract Goals" page of this document and can also be found in the procurement documents pertaining to this Contract/Agreement.
2. For purposes of providing meaningful participation to certified SDVOBs on this Contract/Agreement and in an effort to attain the certified SDVOB goals for this Contract/Agreement, the Contractor should reference the directory of SDVOBs at the following internet address: [online.ogs.ny.gov/SDVOB/search](http://online.ogs.ny.gov/SDVOB/search)
3. Contractor must document "Good Faith Efforts" to provide meaningful participation by SDVOBs as subcontractors or suppliers in the performance of the Contract/Agreement (see clause 4 below).

**2. SDVOB UTILIZATION PLANS**

A. In accordance with 9 NYCRR § 252.2(i), Bidders/Proposers are required to submit a completed SDVOB Utilization Plan on Form TA-W1022 within 10 business days of letting.

B. The Utilization Plan shall list the certified SDVOBs that the Contractor intends to use to perform work on the Contract/Agreement, a description of the work that the Contractor intends the SDVOB to perform to meet the goals on the Contract/Agreement, the estimated dollar amounts to be paid to a certified SDVOB, or, if not known, an estimate of the percentage of Contract/Agreement work the SDVOB will perform. By signing the Utilization Plan, the Contractor acknowledges that making false representations or providing information that shows a lack of good faith as part of, or in conjunction with, the submission of a Utilization Plan is prohibited by law and may result in penalties including, but not limited to, termination of a

contract for cause, loss of eligibility to submit future bids, and/or withholding of payments. Any modifications or changes to the agreed participation by SDVOBs after the award of the Contract/Agreement and during the term of the Contract/Agreement must be reported on a revised Utilization Plan and submitted to the Authority's Chief Compliance Officer for approval.

C. The Authority will review the submitted SDVOB Utilization Plan and advise the Contractor of the Authority's acceptance or issue a notice of deficiency within 20 business days of receipt.

D. If a notice of deficiency is issued, Contractor agrees that it shall respond to the notice of deficiency, within seven business days of receipt, by submitting to the Authority a written remedy in response to the notice of deficiency. If the written remedy that is submitted is not timely or is found by the Authority to be inadequate, the Authority shall notify the Contractor and direct the Contractor to submit, within five business days of notification by the Authority, a request for a partial or total waiver of SDVOB participation goals on Form TA-W1077 Contractor/Consultant Waiver Request. Failure to file the waiver request form in a timely manner may be grounds for disqualification of the bid or proposal.

E. The Authority may disqualify a Contractor's bid/proposal/letter of interest as being non responsive under the following circumstances:

- (a) If a Contractor fails to submit a SDVOB Utilization Plan;
- (b) If a Contractor fails to submit a written remedy to a notice of deficiency;
- (c) If a Contractor fails to submit a request for waiver; or
- (d) If the Authority determines that the Contractor has failed to document and/or demonstrate good faith efforts.

F. If Contractor is awarded a Contract/Agreement, Contractor certifies that it will follow the submitted SDVOB Utilization Plan for the performance of SDVOBs on the Contract/Agreement in accordance with the prescribed SDVOB compliance requirements and procedures for the Contract/Agreement goals set forth in this agreement.

G. Contractor further agrees that failure to use SDVOBs as agreed in the Utilization Plan shall constitute a material breach of the terms of the Contract/Agreement. Upon the occurrence of such a material breach, the Authority shall be entitled to any remedy provided herein, including but not limited to, a finding of Contractor non-responsibility.

### **3. SDVOB WAIVER**

A. Prior to submission of a request for a partial or total waiver, Contractor shall speak with someone from the Authority's Office of Compliance for guidance.

B. In accordance with 9 NYCRR § 252.2(m), a Contractor that is able to document good faith efforts to meet the goal requirements, as set forth herein, may submit a request for a partial or total waiver on Form TA-W1077, accompanied by supporting documentation. A Contractor may submit the request for waiver at the same time it submits its SDVOB Utilization Plan.

If a request for waiver is submitted with the SDVOB Utilization Plan and is not approved by the Authority at that time, the provisions of clauses 2 (C), (D) & (E) will apply. If the documentation

included with the Contractor's waiver request is complete, the Authority shall evaluate the request and issue a written notice of acceptance or denial within 20 days of receipt.

C. Contractor shall attempt to utilize, in good faith, certified SDVOBs, during the performance of the Contract/Agreement. Requests for a partial or total waiver of established goal requirements may be made to the Authority, at time of bid submission, subsequent to Contract/Agreement award or at any time during the term of the Contract/Agreement, but must be made no later than prior to the submission of a request for final payment on the Contract/Agreement.

D. If the Authority, upon review of the SDVOB Utilization Plan and Monthly SDVOB Form TA-1023 Payments to DBE/MWBE/SDVOBs determines that Contractor is failing or refusing to comply with the contract goals and no waiver has been granted in regards to such non-compliance, the Authority may issue a notice of deficiency to the Contractor.

The Contractor must respond to the notice of deficiency within seven business days of receipt. Such response may include a request for partial or total waiver of the Contract/Agreement SDVOB goals.

Waiver requests shall be sent to the Authority's Office of Compliance at [Compliance@thruway.ny.gov](mailto:Compliance@thruway.ny.gov).

#### **4. GOOD FAITH EFFORTS**

In accordance with 9 NYCRR § 252.2(n), Contractor must document their good faith efforts toward utilizing SDVOBs on the Contract/Agreement. Evidence of required good faith efforts shall include, but not be limited to, the following:

- (1) Copies of solicitations to SDVOBs and any responses thereto.
- (2) Explanation of the specific reasons each SDVOB that responded to Contractor's solicitation was not selected.
- (3) Dates of any pre-bid, pre-award or other meetings attended by Contractor, if any, scheduled by the Authority with certified SDVOBs which the Authority determined were capable of fulfilling the SDVOB goals set in the Contract/Agreement.
- (4) Information describing the specific steps undertaken to reasonably structure the Contract/Agreement scope of work for the purpose of subcontracting with, or obtaining supplies from, certified SDVOBs.
- (5) Other information deemed relevant to the waiver request.

#### **5. MONTHLY SDVOB CONTRACTOR COMPLIANCE REPORT**

In accordance with 9 NYCRR § 252.2(q), Contractor is required to report Monthly SDVOB Contractor Compliance to the Authority during the term of the Contract/Agreement for the preceding month's activity, documenting progress made towards achieving the Contract/Agreement SDVOB goals.

This information must be submitted by the Contractor, using Form TA-1023 Payments to DBE/MWBE/SDVOBs available on the Authority's website, reflecting the preceding month's activities. Timely, complete and accurate forms must be submitted to

[Compliance@thruway.ny.gov](mailto:Compliance@thruway.ny.gov), by the 10th day of each month, with a courtesy copy to Thruway Project Engineer (TPE)/Engineer in Charge (EIC).

## 6. NON-COMPLIANCE

Where the Authority determines that the Contractor is not in compliance with the requirements specified herein and/or other contract requirements, refuses to comply with such requirements, or if the Contractor is found to have willfully and intentionally failed to comply with the SDVOB participation goals, the Contractor may be found in breach of the contract, which may result in withholding of any mobilization pay item and monthly estimates, a delay in award of the Contract/Agreement, a finding that the Contractor is non-responsible, and/or the Authority may impose other breach of contract damages.

## 7. BREACH OF CONTRACT AND DAMAGES

In accordance with 9 NYCRR § 252.2(s), any Contractor found to have willfully and intentionally failed to comply with the SDVOB participation goals set forth in the Contract/Agreement, shall be found to have breached the Contract/Agreement and Contractor shall pay damages equivalent to the Authority's expenses for personnel, supplies and overhead related to establishing, monitoring, and reviewing certified Service-Disabled Veteran-Owned Business Enterprise programmatic goals for the specific Contract/Agreement.

Questions regarding compliance with SDVOB participation goals should be directed to the Authority's Office of Compliance.

### All forms are available at:

For Contractors: [thruway.ny.gov/business/contractors/forms/index.html](http://thruway.ny.gov/business/contractors/forms/index.html)

For Consultants: [thruway.ny.gov/business/consultants/forms/index.html](http://thruway.ny.gov/business/consultants/forms/index.html)

For Purchasers: [thruway.ny.gov/business/consultants/forms/index.html](http://thruway.ny.gov/business/consultants/forms/index.html)

## EQUAL EMPLOYMENT OPPORTUNITY AND REMOVAL OF INSTITUTIONAL POLICIES OR PRACTICES THAT FAIL TO ADDRESS THE HARASSMENT AND DISCRIMINATION OF INDIVIDUALS

Contractor agrees to comply with all Authority Compliance Requirements and Procedures, in accordance with the terms and conditions of Appendix A – Standard Clauses for New York State Thruway Authority Contracts including Clause 4 – Non-Discrimination Requirements and Clause 11 - Equal Employment Opportunities for Minorities and Women.

Equal Employment Opportunities for minority group members and women (“EEO”) and related provisions shall be deemed supplementary to, and not in lieu of, the nondiscrimination provisions required by New York State Executive Law Article 15 (the “Human Rights Law”) and other applicable federal, state, and local laws.

In the performance of this Contract/Agreement, Contractor shall demonstrate compliance with the Work Force Diversity Requirements and Procedures Regarding Equal Employment Opportunities for Minority Group Members and Women, pursuant to 5 NYCRR § 143, Executive Order 177, and all other applicable federal, state and local laws, rules and regulations.

The Contractor will be required to submit its written Policy Statement ensuring “Equal Employment Opportunity and Removal of Institutional Policies or Practices That Fail to Address the Harassment and Discrimination of Individuals,” to the Authority within 10 business days after the letting/bid opening.

During the performance of this contract, the Contractor agrees to comply with the Equal Employment Opportunity (EEO) requirements specified herein.

**1. DEFINITIONS** – As used in these requirements, the following definitions will apply:

A. “Covered Area” means the geographical area described in the solicitation from which this contract resulted or the geographic area within which this contract will be performed.

B. “Authority” means the New York State Thruway Authority.

C. “Executive Director” means the Executive Director of the New York State Thruway Authority, or his/her duly authorized representative.

D. “Office of Compliance” means the Thruway Authority’s Office of Compliance or his/her duly authorized representative.

E. “Employer Identification Number” means the Federal Social Security Number used on the Employer’s Quarterly Federal Tax Return, U.S. Treasury Department form 941.

F. “Minority” includes:

(i) Black (all persons having origins in any of the Black African racial groups not of Hispanic origin);

(ii) Hispanic (a person of Mexican, Puerto Rican, Dominican, Cuban, Central or South American descent of either Indian or Hispanic origin, regardless of race;

(iii) Asian and Pacific Islander (all persons having origins in any of the original peoples of the Far East, Southeast, Asia, the Indian Subcontinent, or the Pacific Islands); and

(iv) American Indian or Alaskan Native (all persons having origins in any of the original peoples of North America and maintaining identifiable tribal affiliations through membership and participation or community identification. Identification may be made by any suitable authority in the community such as an educational institution, religious organization, or a state agency).

## **2. NON-DISCRIMINATION CLAUSE**

The Contractor will ensure equal employment opportunity by not discriminating against any applicant for employment because of race, color, religion, sex, national origin, age, disability, or marital status, regarding, (among other things) the following: upgrading, demotion, transfer, recruitment, recruitment advertising, layoff, termination, rates of pay or other forms of compensation and selection for training, including apprenticeship.

## **3. MINORITY AND WOMEN EMPLOYMENT GOALS**

The Contractor shall make a good faith effort to ensure equal employment opportunity by taking the affirmative action’s set forth in paragraph 5A through P of these requirements. The Bidder’s/Proposer’s/Contractor’s/Consultant’s/Engineer’s success in achieving or bettering the goals set forth on the contract goals page, shall be a substantial factor in any determination of

whether the Contractor has complied with its obligation to ensure equal employment opportunity in the performance of this Contract/Agreement. The goals are expressed as percentages of the total hours of employment and training that the Contractor should reasonably be able to give to female or minority employees in a certain covered area. The hours of minority and female employment and training must be substantially uniform throughout the length of the Contract/Agreement, and in each trade. These goals were established from materials published by the NYS Department of Economic Development based on appropriate workforce, demographic or other relevant data or labor force developed by the Division of Minority & Women's Business Development utilizing the 1990 Census Data.

#### **4. AFFIRMATIVE ACTION STEPS AND NON-FEDERAL TRAINING REQUIREMENTS**

The Contractor shall implement affirmative action steps at least as extensive as the following:

A. Ensure and maintain a working environment free of harassment, intimidation, and coercion at all sites, and in all facilities at which the Contractor's employees are assigned to work. The Contractor shall specifically ensure that all foremen, superintendents, and other on-site supervisory personnel are aware of and carry out the Contractor's obligation to maintain such a working environment, with specific attention to minority and female individuals working at such sites or in such facilities.

B. Establish and maintain a current list of minority and female recruitment sources, provide written notification to minority and female recruitment sources and to community organizations when the Contractor or its unions have employment opportunities available, and maintain a record of the organizations' responses.

C. Maintain a current file of the name, address, and telephone number of each minority and female off-the street applicant and minority or female referral from a union, a recruitment source, or community organization and of the action which was taken with respect to each such individual.

If such individual was sent to the union hiring hall for referral and was not referred back to the Contractor by the union, or if referred, not employed by the Contractor, this shall be documented in writing to the Office of Compliance and noted in the file with the reasons therefore, along with whatever additional actions the Contractor may have taken.

D. Provide immediate written notification to the Office of Compliance when the Contractor has information that the union referral process has impeded the Contractor's efforts to meet its obligation.

E. Develop on-the-job training opportunities and/or participation in training programs which expressly include minorities and women, including upgrading programs and apprenticeships and trainee programs relevant to the Contractor's employment needs, especially those programs funded or approved by the United States Department of Labor, the New York State Department of Labor, or the New York State Thruway Authority and appropriate for utilization on New York State Thruway Authority projects. The Contractor shall provide notice of these programs to the sources compiled under 5B. above. If the Contractor fails to develop or participate in such apprentice or training programs, its failure to meet the goal set forth herein will be presumed to be noncompliance with these requirements.

F. Disseminate the Contractor's equal employment opportunity policy by providing notice of the policy to unions and training programs and requesting their cooperation in assisting the Contractor in meeting its equal employment opportunity obligations, by including it in any

policy, annual and collective bargaining agreement, by publicizing it in the company newspaper, annual report, and other similar items, by specific review of the policy with all management personnel and with all minority and female at least once a year, and by posting the Contractor's equal employment opportunity policy on bulletin boards accessible to all employees at each location where work under this contract is performed.

G. Review, at least annually, the Contractor's equal employment opportunity policy and affirmative action obligations under this requirement with all employees having any responsibility for hiring, assignment, layoff, termination, or other employment decision, including specific review of these items with on-site supervisory personnel such as superintendents, general forepersons, etc., prior to the initiation of work at any job site.

A written record shall be made and maintained identifying the time and place of these meetings, persons attending, subject matter discussed, and disposition of the subject matter.

H. Disseminate the Contractor's equal employment opportunity policy externally by including it in any advertising in the news media, specifically including minority and female news media, and providing written notification to, and discussing the Contractor's equal employment opportunity policy with, other Contractors and subcontractors with whom the Contractor does or anticipates doing business.

I. Direct its recruitment efforts, both oral and written, to minority, female, and community organizations, to schools with minority and female students, and to minority and female students, and to minority and female recruitment and training organizations serving the Contractor's recruitment area and employment needs. Not later than one month prior to the date for the acceptance of applications for apprenticeship or other training by any recruitment source, the Contractor shall send written notification to organizations such as the above describing the openings, screening procedures, and tests to be used in the selection process.

J. Encourage present minority and female employees to recruit other minority persons and women and, where reasonable, provide after school, summer, and vacation employment to minority and female youth both on the site and in other areas of the Contractor's workforce.

K. State in all solicitations or advertisements for employees placed by or on behalf of the Contractor that all qualified applicants will receive consideration for employment without regard to race, color, religion, sex, national origin, age, disability, or marital status.

L. Conduct, at least annually, an inventory and evaluation of all minority and female personnel for promotional opportunities and encourage these employees to seek or to prepare for such opportunities through appropriate training or other similar activities.

M. Ensure that seniority practices, job classifications, work assignments, and other personnel practices do not have a discriminatory effect by continually monitoring all personnel and employment related activities to ensure that the equal employment opportunity policy and the Contractor's obligations under this requirement are being carried out.

N. Ensure that all facilities and company activities are non-segregated except that separate or single-user toilet and necessary changing facilities shall be provided to assure privacy between the sexes.

O. Send to each labor union or representative of workers with which the Contractor has a collective bargaining agreement or other contract or understanding, a notice advising the said labor union or workers' representative of the Contractor's commitments under this requirement

and post copies of the notice in conspicuous places available to employees and applicants for employment.

P. Conduct a review, at least annually, of all supervisors' adherence to, and performance under, the Contractor's equal employment opportunity policies and affirmative action obligations.

## **5. CONTRACTOR/CONSULTANT ASSOCIATIONS**

Contractor is encouraged to participate in voluntary associations which assist in fulfilling one or more of their affirmative action obligations. The efforts of a contractor association, joint contractor union, contractor community, or other similar group of which the Contractor is a member and participant, may be asserted as fulfilling one or more of its obligations under this requirement provided that the Contractor actively participates in the group, makes every effort to ensure that the group has a positive impact on the employment of minorities and women in the industry, ensures that the concrete benefits of the program are reflected in the Contractor's minority and female workforce participation, makes a good faith effort to meet its individual goals, and can provide access to documentation which demonstrates the effectiveness of actions taken on behalf of the Contractor. The obligation to comply, however, is the Contractor's and failure of such a group to fulfill an obligation shall not be a defense for the Contractor's noncompliance.

## **6. TRANSFER OF MINORITY OR FEMALE EMPLOYEES**

Through implementing the affirmative action's set forth above and the Contractor's other efforts to ensure equal employment opportunity, the Contractor must have made a commitment to employ minorities and women throughout the life of the contract. The transfer of minority or female employees or trainees from Contractor to Contractor or from project to project for the sole purpose of meeting the Contractor's goals shall be violation of the contract.

## **7. CREDITING NON-WORKING TRAINING HOURS TOWARD EMPLOYMENT GOALS**

In order for the non-working training hours of apprentices and trainees to be counted in meeting the goals, such apprentices and trainees must be employed by the Contractor during the training period, and the Contractor must have made a commitment to employ the apprentices and trainees at the completion of their training, subject to the availability of employment opportunities. Trainees must be trained pursuant to training programs approved by the United States Department of Labor, the New York State Department of Labor or the New York State Thruway Authority and appropriate for utilization on the New York State Thruway Authority projects.

## **8. REQUIRED RECORDS**

A. The Contractor shall designate a responsible official to monitor all employment related activity to ensure that the Contractor's equal employment opportunity policy is being carried out and to keep records. The records shall include the names, address, telephone number, construction trade, union affiliation, if any, employee identification number when assigned, social security number, race, sex, status (e.g. mechanic, apprentice, trainee, helper or laborer), dates of changes in status, hours worked per week in the indicated trade, rate of pay and locations at which the work was performed for each employee.

Records shall be maintained in an understandable and retrievable form. To the extent that records kept by the Contractor for other purposes satisfy the requirements of this paragraph, the Contractor need not maintain separate records.



B. Contractor shall submit on a monthly basis “Monthly Workforce Utilization Composite” (Form TA-W1017) to the TPE/EIC for approval and submitted electronically upon approval to [Compliance@thruway.ny.gov](mailto:Compliance@thruway.ny.gov). The report shall reflect a monthly composite of the total cumulative hours of work for the entire project workforce (including all subcontractors) from the start of the contract through the contract ending date. For the purpose of composite reporting, the employment and training hours for females and minorities shall be calculated separately. Female utilization hours (minority and non-minority) shall be counted towards female utilization and minority female utilization hours shall also be counted towards minority utilization hours.

C. All records required by this Section must be retained for a period of six years following completion of the contract work and shall be available at reasonable times and places for inspection by authorized representatives of the Authority or the Office of Compliance.

## **9. GOALS NOT TO BE USED TO DISCRIMINATE**

The Contractor shall not use the goals or affirmative action requirements to discriminate against any person because of race, color, religion, sex, national origin, age disability, or marital status.

## **10. AVAILABILITY OF CONTRACTOR’S RECORDS**

The Contractor will furnish all information and reports as may be required by the Authority or by rules, regulations and orders incorporated herein by the Authority and will permit access to its books, records and accounts by the Authority’s Office of Compliance for purposes of monitoring and investigating compliance with these requirements and such rules, regulations, orders, procedures and guidelines.

## **11. ENFORCEMENT**

In order to determine whether the Contractor has complied with the requirements, the Authority may proceed by order to show cause, compliance conference, hearing or any other lawful procedure upon due notice in writing to the Contractor. In the event the Authority finds that the Contractor has failed to comply with these requirements, this contract may be canceled, terminated, or suspended in whole or in part or liquidated damages may be imposed in accordance with the procedures authorized in Section 312 of Executive Law 15-A, Section 40 of the Highway Law, provisions of this Contract/Agreement, relevant laws and statutes as deemed appropriate by the Authority, at no cost or liability to the Authority.

In accordance with EO 177 entitled “Prohibiting State Contracts with Entities that Support Discrimination”, provisions of this Contract/Agreement and Section 40 of the Highway Law, the Contractor may be declared ineligible for further New York State government contract or construction contracts, and such other sanctions may be imposed and remedies invoked as deemed appropriate by the Authority by rule, regulation, or order of the Authority, or as otherwise provided by law.

## **12. CONTRACTOR’S RESPONSIBILITY REGARDING COLLECTIVE BARGAINING AGREEMENT**

Neither the provisions of any collective bargaining agreement, nor the failure by a union with whom the Contractor has a collective bargaining agreement to refer either minorities or women shall excuse the Contractor’s obligations under these requirements, any rules, regulations, procedures and guidelines promulgated or established pursuant to Executive Order 21.

### **13. APPLICABILITY TO SUBCONTRACT**

As per Section 312 of Executive Law 15-A the Contractor will physically include the document Equal Employment Opportunity Requirements as part of every subcontract or purchase order unless exempted by rules, regulations, or orders of the Director, pursuant to the Executive Order 8, and such requirements shall be binding upon each subcontractor, service provider, or vendor. The Contractor will take such action with respect to any subcontract or purchase order as the Authority may direct as a means of enforcing such provisions, including sanctions for

noncompliance; provided, however that in the event the Contractor becomes involved in or is threatened with litigation by a subcontractor or vendor as a result of any provision or direction issued pursuant to these requirements or by the Authority, the Contractor may request the State of New York to enter into such litigation or dispute to protect the interests of the State of New York.

### **14. EQUAL EMPLOYMENT OPPORTUNITY OFFICER**

The Contractor will designate and make known to the Office of Compliance who will have the responsibility for and must be capable of effectively administering and promoting an active Contractor program of equal employment opportunity and who must be assigned adequate authority and responsibility to do so.

### **15. COMPLAINTS OF ALLEGED DISCRIMINATION/SEXUAL HARASSMENT**

The Contractor will promptly investigate all complaints of alleged discrimination/sexual harassment made to the Contractor in connection with his/her obligations under this contract, will attempt to resolve such complaints, and will take appropriate corrective action within a reasonable time. If the investigation indicates that the discrimination/sexual harassment may affect persons other than the complainant, such corrective action shall include such other persons. Upon completion of each investigation, the Contractor will inform every complainant of all of his or her avenues of appeal, including the New York State Division of Human Rights and Equal Employment Opportunity Commission.

The Contractor shall inform the Office of Compliance (within 24 hours) in writing of any formal or informal complaint, incident or any issue of discrimination/sexual harassment. Results of investigation must be submitted to the Office of Compliance within ten (10) days of the complaint.

### **TRAINING SPECIAL PROVISIONS**

**TA-1041 – Training Report**

**TA-1046 – Monthly Training Report**

This work shall consist of the employment and meaningful and effective training of minority and women in New York State Thruway Authority approved training programs leading to their qualification as journeyworkers in the skilled trades required in highway construction. This Training/Special Provision supplements the Equal Employment Opportunity requirements included elsewhere in this Proposal entitled “Equal Employment Opportunity (EEO) Requirements”. Each of the foregoing prescribed specific percentage goals for utilization of minorities and women in the performance of work for the geographic location of the contract.

**GENERAL:** The primary objective of this Training/Special Provision is to provide training opportunities to minorities and women in construction trades for two purposes:

1. To maintain a pool of qualified minorities and women to replace those journeyworkers who, in the natural course of events, will leave the workforce; and
2. To provide minorities and women as indentured apprentices or trainees in those geographic areas where shortages in minorities and women journeyworkers are recognized because of the Contractor's inability to meet the EEO goals set forth in this contract.

Each contract which contains this Training/Special Provision shall require the training of at least one minority or woman indentured apprentice or trainee. Such individual shall be approved by the Authority. Other than this initial training obligation, to be undertaken and provided by the Contractor, no additional training obligations will exist under this Training/Special Provision unless the goals for minority and women employment and training in the skilled workforce are not continuously met on the contract and generally distributed amongst the trades. In the five counties of New York City, the goals specified for each trade are applicable and must be met. Whenever the goals are not met, additional minorities and/or women indentured apprentices and/or trainees will be assigned or approved in numbers necessary to meet the goals. Data necessary to determine if goals are being met will be provided on Contractor and Subcontractor Employment Utilization Reports (Form TA-1017-9). The data will be verified by the visual observance of the Project Engineer, or designated project inspectors, and hours of employment reported on Contractor or Subcontractor certified weekly payrolls.

The number of minorities and women indentured apprentices and trainees required to be trained under this item shall not exceed 12% of the total journeyworker workforce on the contract, i.e. no more than 1 in 8 of the skilled workforce is required to be a minority or woman indentured apprentice or trainee. This limitation applies regardless of minority and women representation in the trades. However, this limit on required training in no way absolves the Contractor of the responsibility to comply with the EEO requirements.

**PRE-AWARD MEETING:** Before the Contractor will be allowed to begin work, the Contractor shall attend a Pre-award Meeting and shall submit for Authority use and acceptance, a Workforce and Training Utilization Schedule (Form TA-1024) which shall be correlated to the Contractor's contract work schedule. The Schedule shall include at least the following information:

1. A work schedule for the entire contract,
2. An estimate of the work force required to conform to the work schedule on a monthly basis including an estimate of the workforce in each trade and/or work classification projected to be used including Subcontractors,
3. Separate estimates of the number of minorities and women indentured apprentices or trainees that would be required in each skilled trade to meet the contract EEO employment goals for that trade assuming no minorities or women journeyworkers in the workforce,
4. The proposed training programs to be used and the starting dates for training in each trade and/or work classification,
5. An estimate of the availability of minorities and women journeyworkers in numbers sufficient to meet the EEO contract goals, and

6. Any proposal by the Contractor to use trainees or indentured apprentices to make up for anticipated EEO goal shortfalls. Such proposals shall include the name and craft of any individual proposed by the Contractor as the required trainee or indentured apprentice. In the case of an indentured apprentice, evidence of indentureship and registration of the approved apprenticeship program must be included.

No contract work may be undertaken until the Authority has accepted the Workforce and Training Utilization Schedule. The Contractor shall submit a revised Workforce and Training Utilization Schedule at such times as major changes in the contract work schedule occur which substantially affect the previously submitted schedule.

**RECRUITMENT:** Although the training requirements of this Training/Special Provision are not intended, and shall not be used to discriminate against any applicant for training, whether a member of a protected class or not, it is recognized that non-minority males have traditionally been and continue to be trained, either formally or on-the-job in an informal manner, for work in the trades utilized in construction work. Therefore, until such time that representative numbers of minorities and women complete training and their utilization as journeyworkers is demonstrated to the extent of the participation goals as set forth in the Authority's construction contract, training required under this Training/Special Provisions will be primarily limited to minorities and women.

Thus, the Contractor shall demonstrate compliance with the intent of this Training/Special Provision by affording the Authority the opportunity to:

1. First, approve the use of a minority or woman indentured apprentice known to the Contractor through an existing Joint Apprenticeship Training program, or
2. Second, provide a partially trained minority or woman trainee who is currently enrolled in a New York State Department of Labor approved training program, or
3. Third, work cooperatively with the Contractor in recruitment of new minorities or women trainees, when needed.

In conformance with the foregoing, the Authority's Form TA-1018 (Request for Personnel), should be submitted to the TPE/EIC for submission to the Authority's Office of Compliance. The Contractor shall allow reasonable time for the Authority's Office of Compliance to ensure on-the-job orientation for approved apprentices or assigned trainees within their first month of employment.

**WORK HISTORY:** No individual shall be employed as a trainee in any trade and/or work classification in which such person has successfully completed a training course providing journeyworker status in the same trade or work classification, or in which such person has been gainfully employed as a journeyworker by virtue of informal on-the-job training. Detection of individuals in the above categories may be accomplished by including appropriate questions on employee application forms, inquiries to the Authority's Office of Compliance, checking personal references, or by other suitable means. Regardless of the method used, the Contractor shall document the finding for each indentured apprentice or trainee provided training under this requirement. A copy of the finding shall be given to the Authority's Office of Compliance. In the case of indentured apprentices, evidence of indentureship in a registered approved apprenticeship program shall also be submitted.

**SUBCONTRACTING:** In the event the Contractor subcontracts a portion of the contract work, the Contractor shall ensure the requirements of this Training/Special Provision are physically incorporated in such subcontracts to ensure the workforce utilization by the Subcontractor meets the goals for minorities and women employment and training, either independently or in combination with the prime Contractor's workforce. The Contractor must determine the hours of training, if any, and in which trade or work classification, minorities or women indentured apprentices or trainees are to be trained by the Subcontractor(s). However, the Contractor shall retain the primary responsibility for meeting the training requirements of this Training/Special Provision. Subcontractors are herewith advised that disregard of these requirements may result in the Authority either rescinding approval for work on this contract or disapproving their use on subsequent Authority contracts.

**TRAINING PROGRAMS:** The minimum length, type of training, and rate of pay for the trade or the work classification of the trade will be specified in the training program approved or sanctioned by the New York State Department of Labor.

Where training is to be provided under this Training/Special Provision, the Contractor shall obtain acceptance and/or approval of the training program to be used, and the starting time for training, prior to commencing training. The Contractor shall provide on-the-job training directed toward developing journeyworkers in the trade, or work classification(s) of the trade involved. To the extent the work involved on the contract permits, such training should include all phases and facets of a trade, or work classification of a trade, to satisfy usual construction industry requirements for continued or future employment therein.

It is the intent of this Training/Special Provision that training will be provided in construction trades rather than clerical type positions. Training may be permitted, in unique circumstances, in lower level management positions such as office engineers, where the training is oriented toward construction related activities. Some off-site training is permissible as long as the training is an integral part of an approved training program and does not comprise a significant part of an overall training program. Both off-site and lower level management training are subject to the Authority's approval.

**TRAINEE WAGES:** An employee on any New York State Public Works Contract must be paid the full journeyworker prevailing wage unless such employee is individually registered in an approved and registered New York State Department of Labor Apprenticeship Program. It is the responsibility of the Contractor to ascertain the status of any employee utilized to satisfy the trainee requirements under this contract, and to ensure that all New York State Department of Labor apprenticeship requirements are met.

Apprentices shall be paid fringe benefits in accordance with the provisions of the apprenticeship program. If the apprenticeship program does not specify fringe benefits, apprentices must be paid the full amount of fringe benefits listed on the wage determination for the applicable classification. Trainees shall be paid fringe benefits in accordance with the provisions of the trainee program. If the trainee program does not mention fringe benefits, trainees shall be paid the full amount of fringe benefits listed on the wage determination unless the Administrator of the Wage and Hour Division determines that there is an apprenticeship program associated with the corresponding journeyworker wage rate on the wage determination which provides for less than full benefits for apprentices.

**DURATION OF TRAINING:** Once an indentured apprentice is approved or a trainee is assigned to the contract under the Training/Special Provision, that individual shall be trained in the designed trade throughout the duration of the contract whenever such trade is in use on the

contract until the trainee or apprentice has completed the approved training program. Where training is provided under a multiphase apprenticeship or training program, it is expected that training will be provided continually through all phases to the extent that opportunities for such training exist in the work under contract. Upon satisfactory completion of a phase of training under a multiphase training program, if further appropriate and required training is not available and work in the work classification of the completed phase is available, the minority or woman indentured apprentice or trainee shall continue employment, and be compensated at the prevailing journeyworker wage rate for such work. Hours of employment as a journeyworker described above will not be credited toward training hours required by the approved training or apprenticeship program.

If an indentured apprentice or trainee is terminated before completion of the contract for any reason other than seasonal lay-off or completion of work in that trade, the Contractor shall hold a counseling session with the Authority's Chief Compliance Officer and the individual to explain the reasons for termination. Documentation that the counseling session was held and the reasons for termination shall be given to the Authority's Chief Compliance Officer.

**REQUIRED RECORDS:** The Contractor shall provide each minority or woman trained under this provision with a certification showing the type and length of training satisfactorily completed. In addition, the Contractor shall keep records on the job site indicating the nature and hours of training provided to each trainee or indentured apprentice and furnish weekly reports documenting performance under this Training/Special Provision to the Project Engineer. No measurement will be made of training provided to indentured apprentices or trainees for whom no work history has been provided to the Project Engineer. In addition, no measurement will be made of training provided to apprentices for whom no evidence of indentureship in a registered apprenticeship program has been provided to the Project Engineer.

**NO PAYMENT FOR TRAINING:** No payment will be made for the training required of the Contractor under this Training/Special Provision. The required training is a labor cost which is included in the lump sum bid by the Contractor for the items of work comprising the contract.

*(1) Journeyworker means a person who is capable of performing all the duties within a trade or a given work classification of a trade.*

## **WORKFORCE UTILIZATION/GROSS WAGES REPORTING**

In accordance with the requirements pursuant to Executive Order (EO) 162, Contractors must report employee workforce utilization on a monthly basis and gross wages on a quarterly basis for its company and all subcontractors in accordance with EO 162, as follows:

### **A. EO 162 (Monthly/Quarterly) Workforce Utilization/Gross Wages Reporting**

Construction Contractors/Subcontractors are required to submit (Monthly) Workforce Utilization and (Quarterly) Workforce Utilization/Gross Wages Reports for their firm and all subcontractors.

(Monthly) Workforce Utilization/ (Quarterly) Gross Wages Reports are required to be electronically submitted to [WorkforceUtilizationReportConstruction@thruway.ny.gov](mailto:WorkforceUtilizationReportConstruction@thruway.ny.gov).

(Monthly) Workforce Utilization report for the preceding month must be submitted by the 10th of each month, for the Contractor and all subcontractors.

The (Monthly) EO 162 Workforce Utilization/Gross Wages Reporting are located on the Thruway website @ [thruway.ny.gov/business/dmwbe/eo-162-monthly-construction.xls](http://thruway.ny.gov/business/dmwbe/eo-162-monthly-construction.xls)

(Quarterly) - Workforce Utilization, including Gross Wages Reports for quarterly reporting must be submitted by 10th of April, July, October and January, for the Contractor and all subcontractors.

The (Quarterly) EO 162 Workforce Utilization/Gross Wages Reporting are located on the Thruway website @ [thruway.ny.gov/business/dmwbe/eo-162-quarterly-construction.xls](http://thruway.ny.gov/business/dmwbe/eo-162-quarterly-construction.xls)

#### B. Form TA-1017 Monthly Workforce Utilization Composite Report

Form TA-1017 (Monthly) Workforce Utilization Composite report must be completed for each calendar month by the Contractor reflecting the cumulative total work hours of employment to date for the entire workforce.

Form TA-1017 (Monthly) - Workforce Utilization Composite Report, must be approved by the TPE/EIC and electronically submitted prior to the 10<sup>th</sup> of the month to [Compliance@thruway.ny.gov](mailto:Compliance@thruway.ny.gov).

Form TA-1017 (Monthly) - Workforce Utilization Composite Report is located on the Thruway website @ [thruway.ny.gov/business/dmwbe/ta-w1017.xls](http://thruway.ny.gov/business/dmwbe/ta-w1017.xls)

#### **NONDISCRIMINATION**

The Contractor shall comply with the provisions of the Human Rights Law, and all other state and federal statutory and constitutional non-discrimination provisions. The Contractor and its subcontractors shall not discriminate against any employee or applicant for employment because of race, creed (religion), color, sex, national origin, sexual orientation, military status, age, disability, predisposing genetic characteristic, marital status or domestic violence victim status, and shall also follow the requirements of the Human Rights Law with regard to non-discrimination on the basis of prior criminal conviction and prior arrest.

Questions regarding compliance with Workforce Utilization/Gross Wages Reporting should be directed to the Authority's Office of Compliance.

#### **MOBILIZATION AND PAYMENT OF ESTIMATES/INVOICES**

Processing of mobilization, estimates and/or invoices is contingent upon Contractor demonstration and/or documentation of compliance with **all** of the Authority's Disadvantaged Business/Equal Employment Opportunity/Minority/Women and Service-Disabled Veteran Owned-Business Enterprise Contract/Agreement requirements and provisions.

Forms listed herein may be revised, updated, at the Authority's sole discretion and are required during the covered period, under the reporting schedules established by the Authority.

DBE/EEO/MWBE/SDVOB forms, requirements and reporting schedules will be discussed during the pre-award meeting or by contacting the Authority's Office of Compliance.

**REPORTING AND SUBMISSION SCHEDULES**

Contractors are required to submit the following forms or reports by the 10<sup>th</sup> of each month, for the preceding month's activities to: [Compliance@thruway.ny.gov](mailto:Compliance@thruway.ny.gov)

TA-W1017 Monthly Workforce Utilization Composite  
TA-W1023 Payments to D/M/WBE Subcontracting Firms  
TA-1024 Workforce and Training Utilization Schedule  
TA-W1046-9 Weekly Training Progress Report

The above forms or reports must accurately reflect the information reported on the following forms:

TA-W1022-9 Utilization Plan  
TA-W1024-9 Workforce and Training Utilization Schedule  
TA-W1041-9 Training Report  
TA-W1064-9 Construction Contractors Annual EEO Report

Contractors are also required to submit the following forms or reports by the 10<sup>th</sup> of each month, for the preceding month's activities to:

[WorkforceUtilizationReportConstruction@thruway.ny.gov](mailto:WorkforceUtilizationReportConstruction@thruway.ny.gov)

EO 162 - Monthly Workforce Utilization/Gross Wage Report  
EO 162 - Workforce Utilization/Quarterly Gross Wage Report

All Authority Forms are available at:

<http://www.thruway.ny.gov/business/contractors/forms/index.html>

Timely, complete and accurate reports shall be submitted as required and/or upon request.



**STATE  
WAGE RATE  
INFORMATION**

## **WAGE RATES**

The New York State Thruway Authority does not represent or warrant that the accompanying schedule of wages with the classification of workmen, mechanics and laborers, as required by Section 220 of the Labor Law, is complete and it reserves the right to revise such schedule when required.

In the event that revisions are made before the letting date, an amendment will be issued by the Department of purchasers of plans. In the event that the current wage rate schedule should expire before the contract for this project becomes effective the said wage rate schedule will be recertified and the Contractor will be bound by such revised schedule as recertified.

Labor classifications not appearing on this rate sheet can be used only with the consent of the Chief Engineer of the Authority and then the rate to be paid will be given by the Chief Engineer of the Authority after consulting with the State Department of Labor.

All requests for minimum wage rates for additional occupations shall be directed through the Chief Engineer, Thruway Authority.

By legislation effective August 9, 1975, if the prevailing rate of wages or the prevailing practices for supplements as determined by the State Labor Department changes after the contract is let, the Thruway Authority shall request of the State Labor Department a redetermination of the schedules of wages and supplements and such revised wage rates and supplements shall be annexed to and form a part of the contract for the work. The prevailing wage rates and supplemental benefits to be paid are those in effect at the time the work is being performed. The bidder shall take into account in his bid prices all changes in wage rates and supplements that may be forthcoming during the time the contract is in force.

The bidder shall take into account in his bid prices all changes in wage rates and supplements that may be forthcoming during the time the contract is in force.

Pursuant to Section 220-A of the New York State Labor law, the prime Contractor must provide each approved subcontractor with a copy of the schedule of wages and any supplements as specified in this Contract.

The prime Contractor must immediately obtain from each approved subcontractor a certification (TA-44105) of their receipt of, and agreement to pay the applicable prevailing wages as specified in this contract. The prime Contractor shall retain all Subcontractor certifications and provide these certifications to the Authority prior to the processing of the final payment.

The prime Contractor must submit an affidavit (TA-44115) verifying the proper payment of wages to its own employees prior to the processing of the final payment. All completed certifications and affidavits must be originals and be properly signed and notarized.

## **SPECIAL NOTICE TO BIDDERS IN RELATION TO OVERTIME DISPENSATION**

All bidders, in submitting their bids, should base their bids and work progression on the assumption that Overtime Dispensation pursuant to Article 8 of the New York State Labor Law, for any workmen, laborers and mechanics to work more than 8 hours in any one calendar day or more than five days in any one week will not be granted for any operation for the contract duration. Subsequent to award, where the contract documents have imposed specific scheduling and/or phasing requirements or where it is determined by the Authority to be in the best interest of the public, the Authority may process, for approval by the new York State Department of Labor, requests for Overtime Dispensation on certain specific operations and, in the event approval is granted, there shall be no adjustments therefore in any bid prices.

**SPECIAL NOTE**  
**STATE PREVAILING WAGE RATES**

The Contractor shall ensure that workers are paid the appropriate wages and supplemental (fringe) benefits. Throughout the contract, the Contractor shall obtain and pay workers in accordance with periodic wage rate schedule updates from the NYS Department of Labor (NYSDOL). Wage rate amendments and supplements are available on the NYSDOL web site at [www.labor.ny.gov](http://www.labor.ny.gov). All changes or clarification of labor classification(s) and applicability of prevailing wage rates shall be obtained in writing from the Office of the Director, NYSDOL Bureau of Public Work.

The NYSDOL prevailing wage rate schedule for this contract has been determined and is available on the internet. The prevailing wage rate schedule is accessed by visiting the NYSDOL web site, navigating to the appropriate web page, and entering the Prevailing Rate Case No. (PRC#). The PRC# is provided on NYSDOL Form PW-200 included in this contract Proposal.

A copy of the project specific prevailing wage rate schedule will be provided to the successful bidder upon award of the contract. Upon written request, the schedule will be provided by the Thruway Authority to prospective bidders without internet access.



Kathy Hochul, Governor

Roberta Reardon, Commissioner

NYS Thruway Authority

Antonio Melendez, Professional Engineer 1  
 200 Southern Boulevard  
 Albany NY 12209-0189

Schedule Year 2023 through 2024  
 Date Requested 01/09/2024  
 PRC# 2024000311

Location MP 47.6 to MP 60.1 N/S  
 Project ID# D214964  
 Project Type 2" Mill and Inlay, Safety Improvements and Miscellaneous Work between MP 47.6 and MP 60.1 N/S.

### PREVAILING WAGE SCHEDULE FOR ARTICLE 8 PUBLIC WORK PROJECT

Attached is the current schedule(s) of the prevailing wage rates and prevailing hourly supplements for the project referenced above. A unique Prevailing Wage Case Number (PRC#) has been assigned to the schedule(s) for your project.

The schedule is effective from July 2023 through June 2024. All updates, corrections, posted on the 1st business day of each month, and future copies of the annual determination are available on the Department's website [www.labor.ny.gov](http://www.labor.ny.gov). Updated PDF copies of your schedule can be accessed by entering your assigned PRC# at the proper location on the website.

It is the responsibility of the contracting agency or its agent to annex and make part, the attached schedule, to the specifications for this project, when it is advertised for bids and /or to forward said schedules to the successful bidder(s), immediately upon receipt, in order to insure the proper payment of wages.

Please refer to the "General Provisions of Laws Covering Workers on Public Work Contracts" provided with this schedule, for the specific details relating to other responsibilities of the Department of Jurisdiction.

Upon completion or cancellation of this project, enter the required information and mail **OR** fax this form to the office shown at the bottom of this notice, **OR** fill out the electronic version via the NYSDOL website.

#### NOTICE OF COMPLETION / CANCELLATION OF PROJECT

Date Completed: \_\_\_\_\_ Date Cancelled: \_\_\_\_\_

Name & Title of Representative: \_\_\_\_\_

Phone: (518) 457-5589 Fax: (518) 485-1870  
 W. Averell Harriman State Office Campus, Bldg. 12, Room 130, Albany, NY 12226

## General Provisions of Laws Covering Workers on Article 8 Public Work Contracts

### Introduction

The Labor Law requires public work contractors and subcontractors to pay laborers, workers, or mechanics employed in the performance of a public work contract not less than the prevailing rate of wage and supplements (fringe benefits) in the locality where the work is performed.

### Responsibilities of the Department of Jurisdiction

A Department of Jurisdiction (Contracting Agency) includes a state department, agency, board or commission; a county, city, town or village; a school district, board of education or board of cooperative educational services; a sewer, water, fire, improvement and other district corporation; a public benefit corporation; and a public authority awarding a public work contract.

The Department of Jurisdiction (Contracting Agency) awarding a public work contract MUST obtain a Prevailing Rate Schedule listing the hourly rates of wages and supplements due the workers to be employed on a public work project. This schedule may be obtained by completing and forwarding a "Request for wage and Supplement Information" form (PW 39) to the Bureau of Public Work. The Prevailing Rate Schedule MUST be included in the specifications for the contract to be awarded and is deemed part of the public work contract.

Upon the awarding of the contract, the law requires that the Department of Jurisdiction (Contracting Agency) furnish the following information to the Bureau: the name and address of the contractor, the date the contract was let and the approximate dollar value of the contract. To facilitate compliance with this provision of the Labor Law, a copy of the Department's "Notice of Contract Award" form (PW 16) is provided with the original Prevailing Rate Schedule.

The Department of Jurisdiction (Contracting Agency) is required to notify the Bureau of the completion or cancellation of any public work project. The Department's PW 200 form is provided for that purpose.

Both the PW 16 and PW 200 forms are available for completion [online](#).

### Hours

No laborer, worker, or mechanic in the employ of a contractor or subcontractor engaged in the performance of any public work project shall be permitted to work more than eight hours in any day or more than five days in any week, except in cases of extraordinary emergency. The contractor and the Department of Jurisdiction (Contracting Agency) may apply to the Bureau of Public Work for a dispensation permitting workers to work additional hours or days per week on a particular public work project.

### Wages and Supplements

The wages and supplements to be paid and/or provided to laborers, workers, and mechanics employed on a public work project shall be not less than those listed in the current Prevailing Rate Schedule for the locality where the work is performed. If a prime contractor on a public work project has not been provided with a Prevailing Rate Schedule, the contractor must notify the Department of Jurisdiction (Contracting Agency) who in turn must request an original Prevailing Rate Schedule from the Bureau of Public Work. Requests may be submitted by: mail to NYSDOL, Bureau of Public Work, State Office Bldg. Campus, Bldg. 12, Rm. 130, Albany, NY 12226; Fax to Bureau of Public Work (518) 485-1870; or electronically at the NYSDOL website [www.labor.ny.gov](http://www.labor.ny.gov).

Upon receiving the original schedule, the Department of Jurisdiction (Contracting Agency) is REQUIRED to provide complete copies to all prime contractors who in turn MUST, by law, provide copies of all applicable county schedules to each subcontractor and obtain from each subcontractor, an affidavit certifying such schedules were received. If the original schedule expired, the contractor may obtain a copy of the new annual determination from the NYSDOL website [www.labor.ny.gov](http://www.labor.ny.gov).

The Commissioner of Labor makes an annual determination of the prevailing rates. This determination is in effect from July 1st through June 30th of the following year. The annual determination is available on the NYSDOL website [www.labor.ny.gov](http://www.labor.ny.gov).

### Payrolls and Payroll Records

Every contractor and subcontractor MUST keep original payrolls or transcripts subscribed and affirmed as true under penalty of perjury. As per Article 6 of the Labor law, contractors and subcontractors are required to establish, maintain, and preserve for not less than six (6) years, contemporaneous, true, and accurate payroll records. At a minimum, payrolls must show the following information for each person employed on a public work project: Name, Address, Last 4 Digits of Social Security Number, Classification(s) in which the worker was employed, Hourly wage rate(s) paid, Supplements paid or provided, and Daily and weekly number of hours worked in each classification.

The filing of payrolls to the Department of Jurisdiction is a condition of payment. Every contractor and subcontractor shall submit to the Department of Jurisdiction (Contracting Agency), within thirty (30) days after issuance of its first payroll and every thirty (30) days thereafter, a transcript of the original payrolls, subscribed and affirmed as true under penalty of perjury. The Department of Jurisdiction (Contracting Agency) shall collect, review for facial validity, and maintain such payrolls.

In addition, the Commissioner of Labor may require contractors to furnish, with ten (10) days of a request, payroll records sworn to as their validity and accuracy for public work and private work. Payroll records include, but are not limited to time cards, work description sheets, proof that supplements were provided, cancelled payroll checks and payrolls. Failure to provide the requested information within the allotted ten (10) days will result in the withholding of up to 25% of the contract, not to exceed \$100,000.00. If the contractor or subcontractor does not maintain a place of business in New York State and the amount of the contract exceeds \$25,000.00, payroll records and certifications must be kept on the project worksite.

The prime contractor is responsible for any underpayments of prevailing wages or supplements by any subcontractor.

All contractors or their subcontractors shall provide to their subcontractors a copy of the Prevailing Rate Schedule specified in the public work contract as well as any subsequently issued schedules. A failure to provide these schedules by a contractor or subcontractor is a violation of Article 8, Section 220-a of the Labor Law.

All subcontractors engaged by a public work project contractor or its subcontractor, upon receipt of the original schedule and any subsequently issued schedules, shall provide to such contractor a verified statement attesting that the subcontractor has received the Prevailing Rate Schedule and will pay or provide the applicable rates of wages and supplements specified therein. (See NYS Labor Laws, Article 8 . Section 220-a).

### **Determination of Prevailing Wage and Supplement Rate Updates Applicable to All Counties**

The wages and supplements contained in the annual determination become effective July 1st whether or not the new determination has been received by a given contractor. Care should be taken to review the rates for obvious errors. Any corrections should be brought to the Department's attention immediately. It is the responsibility of the public work contractor to use the proper rates. If there is a question on the proper classification to be used, please call the district office located nearest the project. Any errors in the annual determination will be corrected and posted to the NYS DOL website on the first business day of each month. Contractors are responsible for paying these updated rates as well, retroactive to July 1st.

When you review the schedule for a particular occupation, your attention should be directed to the dates above the column of rates. These are the dates for which a given set of rates is effective. To the extent possible, the Department posts rates in its possession that cover periods of time beyond the July 1st to June 30th time frame covered by a particular annual determination. Rates that extend beyond that instant time period are informational ONLY and may be updated in future annual determinations that actually cover the then appropriate July 1st to June 30th time period.

### **Withholding of Payments**

When a complaint is filed with the Commissioner of Labor alleging the failure of a contractor or subcontractor to pay or provide the prevailing wages or supplements, or when the Commissioner of Labor believes that unpaid wages or supplements may be due, payments on the public work contract shall be withheld from the prime contractor in a sufficient amount to satisfy the alleged unpaid wages and supplements, including interest and civil penalty, pending a final determination.

When the Bureau of Public Work finds that a contractor or subcontractor on a public work project failed to pay or provide the requisite prevailing wages or supplements, the Bureau is authorized by Sections 220-b and 235.2 of the Labor Law to so notify the financial officer of the Department of Jurisdiction (Contracting Agency) that awarded the public work contract. Such officer MUST then withhold or cause to be withheld from any payment due the prime contractor on account of such contract the amount indicated by the Bureau as sufficient to satisfy the unpaid wages and supplements, including interest and any civil penalty that may be assessed by the Commissioner of Labor. The withholding continues until there is a final determination of the underpayment by the Commissioner of Labor or by the court in the event a legal proceeding is instituted for review of the determination of the Commissioner of Labor.

The Department of Jurisdiction (Contracting Agency) shall comply with this order of the Commissioner of Labor or of the court with respect to the release of the funds so withheld.

### **Summary of Notice Posting Requirements**

The current Prevailing Rate Schedule must be posted in a prominent and accessible place on the site of the public work project. The prevailing wage schedule must be encased in, or constructed of, materials capable of withstanding adverse weather conditions and be titled "PREVAILING RATE OF WAGES" in letters no smaller than two (2) inches by two (2) inches.

The "[Public Work Project](#)" notice must be posted at the beginning of the performance of every public work contract, on each job site.

Every employer providing workers. compensation insurance and disability benefits must post notices of such coverage in the format prescribed by the Workers. Compensation Board in a conspicuous place on the jobsite.

Every employer subject to the NYS Human Rights Law must conspicuously post at its offices, places of employment, or employment training centers, notices furnished by the State Division of Human Rights.

Employers liable for contributions under the Unemployment Insurance Law must conspicuously post on the jobsite notices furnished by the NYS Department of Labor.

## **Apprentices**

Employees cannot be paid apprentice rates unless they are individually registered in a program registered with the NYS Commissioner of Labor. The allowable ratio of apprentices to journeyworkers in any craft classification can be no greater than the statewide building trade ratios promulgated by the Department of Labor and included with the Prevailing Rate Schedule. An employee listed on a payroll as an apprentice who is not registered as above or is performing work outside the classification of work for which the apprentice is indentured, must be paid the prevailing journeyworker's wage rate for the classification of work the employee is actually performing.

NYSDOL Labor Law, Article 8, Section 220-3, require that only apprentices individually registered with the NYS Department of Labor may be paid apprenticeship rates on a public work project. No other Federal or State Agency of office registers apprentices in New York State.

Persons wishing to verify the apprentice registration of any person must do so in writing by mail, to the NYSDOL Office of Employability Development / Apprenticeship Training, State Office Bldg. Campus, Bldg. 12, Albany, NY 12226 or by Fax to NYSDOL Apprenticeship Training (518) 457-7154. All requests for verification must include the name and social security number of the person for whom the information is requested.

The only conclusive proof of individual apprentice registration is written verification from the NYSDOL Apprenticeship Training Albany Central office. Neither Federal nor State Apprenticeship Training offices outside of Albany can provide conclusive registration information.

It should be noted that the existence of a registered apprenticeship program is not conclusive proof that any person is registered in that program. Furthermore, the existence or possession of wallet cards, identification cards, or copies of state forms is not conclusive proof of the registration of any person as an apprentice.

## **Interest and Penalties**

In the event that an underpayment of wages and/or supplements is found:

- Interest shall be assessed at the rate then in effect as prescribed by the Superintendent of Banks pursuant to section 14-a of the Banking Law, per annum from the date of underpayment to the date restitution is made.
- A Civil Penalty may also be assessed, not to exceed 25% of the total of wages, supplements, and interest due.

## **Debarment**

Any contractor or subcontractor and/or its successor shall be ineligible to submit a bid on or be awarded any public work contract or subcontract with any state, municipal corporation or public body for a period of five (5) years when:

- Two (2) willful determinations have been rendered against that contractor or subcontractor and/or its successor within any consecutive six (6) year period.
- There is any willful determination that involves the falsification of payroll records or the kickback of wages or supplements.

## **Criminal Sanctions**

Willful violations of the Prevailing Wage Law (Article 8 of the Labor Law) may be a felony punishable by fine or imprisonment of up to 15 years, or both.

## **Discrimination**

No employee or applicant for employment may be discriminated against on account of age, race, creed, color, national origin, sex, disability or marital status.

No contractor, subcontractor nor any person acting on its behalf, shall by reason of race, creed, color, disability, sex or national origin discriminate against any citizen of the State of New York who is qualified and available to perform the work to which the employment relates (NYS Labor Law, Article 8, Section 220-e(a)).

No contractor, subcontractor, nor any person acting on its behalf, shall in any manner, discriminate against or intimidate any employee on account of race, creed, color, disability, sex, or national origin (NYS Labor Law, Article 8, Section 220-e(b)).

The Human Rights Law also prohibits discrimination in employment because of age, marital status, or religion.

There may be deducted from the amount payable to the contractor under the contract a penalty of \$50.00 for each calendar day during which such person was discriminated against or intimidated in violation of the provision of the contract (NYS Labor Law, Article 8, Section 220-e(c) ).

The contract may be cancelled or terminated by the State or municipality. All monies due or to become due thereunder may be forfeited for a second or any subsequent violation of the terms or conditions of the anti-discrimination sections of the contract (NYS Labor Law, Article 8, Section 220-e(d) ).

Every employer subject to the New York State Human Rights Law must conspicuously post at its offices, places of employment, or employment training centers notices furnished by the State Division of Human Rights.

### **Workers' Compensation**

In accordance with Section 142 of the State Finance Law, the contractor shall maintain coverage during the life of the contract for the benefit of such employees as required by the provisions of the New York State Workers' Compensation Law.

A contractor who is awarded a public work contract must provide proof of workers' compensation coverage prior to being allowed to begin work.

The insurance policy must be issued by a company authorized to provide workers' compensation coverage in New York State. Proof of coverage must be on form C-105.2 (Certificate of Workers' Compensation Insurance) and must name this agency as a certificate holder.

If New York State coverage is added to an existing out-of-state policy, it can only be added to a policy from a company authorized to write workers' compensation coverage in this state. The coverage must be listed under item 3A of the information page.

The contractor must maintain proof that subcontractors doing work covered under this contract secured and maintained a workers' compensation policy for all employees working in New York State.

Every employer providing worker's compensation insurance and disability benefits must post notices of such coverage in the format prescribed by the Workers' Compensation Board in a conspicuous place on the jobsite.

### **Unemployment Insurance**

Employers liable for contributions under the Unemployment Insurance Law must conspicuously post on the jobsite notices furnished by the New York State Department of Labor.





Kathy Hochul, Governor

Roberta Reardon, Commissioner

NYS Thruway Authority

Antonio Melendez, Professional Engineer 1  
200 Southern Boulevard  
Albany NY 12209-0189

Schedule Year 2023 through 2024  
Date Requested 01/09/2024  
PRC# 2024000311

Location MP 47.6 to MP 60.1 N/S  
Project ID# D214964  
Project Type 2" Mill and Inlay, Safety Improvements and Miscellaneous Work between MP 47.6 and MP 60.1 N/S.

### Notice of Contract Award

New York State Labor Law, Article 8, Section 220.3a requires that certain information regarding the awarding of public work contracts, be furnished to the Commissioner of Labor. One "Notice of Contract Award" (PW 16, which may be photocopied), **MUST** be completed for **EACH** prime contractor on the above referenced project.

Upon notifying the successful bidder(s) of this contract, enter the required information and mail **OR** fax this form to the office shown at the bottom of this notice, **OR** fill out the electronic version via the NYSDOL website.

### Contractor Information

All information must be supplied

|   |  |            |
|---|--|------------|
| Federal Employer Identification Number: _____ |  |            |
| Name: _____                                   |  |            |
| Address: _____<br>_____                       |  |            |
| City: _____                                   | State: _____                                       | Zip: _____ |
| Amount of Contract: \$ _____                  | Contract Type:                                     |            |
| Approximate Starting Date: ____/____/____     | <input type="checkbox"/> (01) General Construction |            |
| Approximate Completion Date: ____/____/____   | <input type="checkbox"/> (02) Heating/Ventilation  |            |
|   | <input type="checkbox"/> (03) Electrical           |            |
|   | <input type="checkbox"/> (04) Plumbing             |            |
|   | <input type="checkbox"/> (05) Other : _____        |            |

Phone: (518) 457-5589 Fax: (518) 485-1870  
W. Averell Harriman State Office Campus, Bldg. 12, Room 130, Albany, NY 12226

### **Social Security Numbers on Certified Payrolls:**

The Department of Labor is cognizant of the concerns of the potential for misuse or inadvertent disclosure of social security numbers. Identity theft is a growing problem and we are sympathetic to contractors' concern regarding inclusion of this information on payrolls if another identifier will suffice.

For these reasons, the substitution of the use of the last four digits of the social security number on certified payrolls submitted to contracting agencies on public work projects is now acceptable to the Department of Labor. This change does not affect the Department's ability to request and receive the entire social security number from employers during its public work/ prevailing wage investigations.

### **Construction Industry Fair Play Act: Required Posting for Labor Law Article 25-B § 861-d**

Construction industry employers must post the "Construction Industry Fair Play Act" notice in a prominent and accessible place on the job site. Failure to post the notice can result in penalties of up to \$1,500 for a first offense and up to \$5,000 for a second offense. The posting is included as part of this wage schedule. Additional copies may be obtained from the NYS DOL website, <https://dol.ny.gov/public-work-and-prevailing-wage>

If you have any questions concerning the Fair Play Act, please call the State Labor Department toll-free at 1-866-435-1499 or email us at: [dol.misclassified@labor.ny.gov](mailto:dol.misclassified@labor.ny.gov) .

### **Worker Notification: (Labor Law §220, paragraph a of subdivision 3-a)**

#### **Effective June 23, 2020**

This provision is an addition to the existing wage rate law, Labor Law §220, paragraph a of subdivision 3-a. It requires contractors and subcontractors to provide written notice to all laborers, workers or mechanics of the *prevailing wage and supplement rate* for their particular job classification *on each pay stub*\*. It also requires contractors and subcontractors to *post a notice* at the beginning of the performance of every public work contract *on each job site* that includes the telephone number and address for the Department of Labor and a statement informing laborers, workers or mechanics of their right to contact the Department of Labor if he/she is not receiving the proper prevailing rate of wages and/or supplements for his/her job classification. The required notification will be provided with each wage schedule, may be downloaded from our website [www.labor.ny.gov](http://www.labor.ny.gov) or be made available upon request by contacting the Bureau of Public Work at 518-457-5589. \*In the event the required information will not fit on the pay stub, an accompanying sheet or attachment of the information will suffice.

(12.20)

**To all State Departments, Agency Heads and Public Benefit Corporations  
IMPORTANT NOTICE REGARDING PUBLIC WORK ENFORCEMENT FUND**

## **Budget Policy & Reporting Manual**

# **B-610**

### **Public Work Enforcement Fund**

*effective date December 7, 2005*

---

#### **1. Purpose and Scope:**

This Item describes the Public Work Enforcement Fund (the Fund, PWEF) and its relevance to State agencies and public benefit corporations engaged in construction or reconstruction contracts, maintenance and repair, and announces the recently-enacted increase to the percentage of the dollar value of such contracts that must be deposited into the Fund. This item also describes the roles of the following entities with respect to the Fund:

- New York State Department of Labor (DOL),
- The Office of the State of Comptroller (OSC), and
- State agencies and public benefit corporations.

#### **2. Background and Statutory References:**

DOL uses the Fund to enforce the State's Labor Law as it relates to contracts for construction or reconstruction, maintenance and repair, as defined in subdivision two of Section 220 of the Labor Law. State agencies and public benefit corporations participating in such contracts are required to make payments to the Fund.

Chapter 511 of the Laws of 1995 (as amended by Chapter 513 of the Laws of 1997, Chapter 655 of the Laws of 1999, Chapter 376 of the Laws of 2003 and Chapter 407 of the Laws of 2005) established the Fund.

#### **3. Procedures and Agency Responsibilities:**

The Fund is supported by transfers and deposits based on the value of contracts for construction and reconstruction, maintenance and repair, as defined in subdivision two of Section 220 of the Labor Law, into which all State agencies and public benefit corporations enter.

Chapter 407 of the Laws of 2005 increased the amount required to be provided to this fund to .10 of one-percent of the total cost of each such contract, to be calculated at the time agencies or public benefit corporations enter into a new contract or if a contract is amended. The provisions of this bill became effective August 2, 2005.

**To all State Departments, Agency Heads and Public Benefit Corporations  
IMPORTANT NOTICE REGARDING PUBLIC WORK ENFORCEMENT FUND**

OSC will report to DOL on all construction-related ("D") contracts approved during the month, including contract amendments, and then DOL will bill agencies the appropriate assessment monthly. An agency may then make a determination if any of the billed contracts are exempt and so note on the bill submitted back to DOL. For any instance where an agency is unsure if a contract is or is not exempt, they can call the Bureau of Public Work at the number noted below for a determination. Payment by check or journal voucher is due to DOL within thirty days from the date of the billing. DOL will verify the amounts and forward them to OSC for processing.

For those contracts which are not approved or administered by the Comptroller, monthly reports and payments for deposit into the Public Work Enforcement Fund must be provided to the Administrative Finance Bureau at the DOL within 30 days of the end of each month or on a payment schedule mutually agreed upon with DOL.

Reports should contain the following information:

- Name and billing address of State agency or public benefit corporation;
- State agency or public benefit corporation contact and phone number;
- Name and address of contractor receiving the award;
- Contract number and effective dates;
- Contract amount and PWEF assessment charge (if contract amount has been amended, reflect increase or decrease to original contract and the adjustment in the PWEF charge); and
- Brief description of the work to be performed under each contract.

Checks and Journal Vouchers, payable to the "New York State Department of Labor" should be sent to:

Department of Labor  
Administrative Finance Bureau-PWEF Unit  
Building 12, Room 464  
State Office Campus  
Albany, NY 12226

Any questions regarding billing should be directed to NYSDOL's Administrative Finance Bureau-PWEF Unit at (518) 457-3624 and any questions regarding Public Work Contracts should be directed to the Bureau of Public Work at (518) 457-5589.

Required Notice under Article 25-B of the Labor Law

**Attention All Employees, Contractors and Subcontractors:  
You are Covered by the Construction Industry Fair Play Act**

**The law says that you are an employee unless:**

- You are free from direction and control in performing your job, **and**
- You perform work that is not part of the usual work done by the business that hired you, **and**
- You have an independently established business.

Your employer cannot consider you to be an independent contractor unless all three of these facts apply to your work.

**It is against the law for an employer to misclassify employees as independent contractors or pay employees off the books.**

**Employee Rights:** If you are an employee, you are entitled to state and federal worker protections. These include:

- Unemployment Insurance benefits, if you are unemployed through no fault of your own, able to work, and otherwise qualified,
- Workers' compensation benefits for on-the-job injuries,
- Payment for wages earned, minimum wage, and overtime (under certain conditions),
- Prevailing wages on public work projects,
- The provisions of the National Labor Relations Act, and
- A safe work environment.

It is a violation of this law for employers to retaliate against anyone who asserts their rights under the law. Retaliation subjects an employer to civil penalties, a private lawsuit or both.

**Independent Contractors:** If you are an independent contractor, **you must pay all taxes and Unemployment Insurance contributions required by New York State and Federal Law.**

**Penalties** for paying workers off the books or improperly treating employees as independent contractors:

- **Civil Penalty**                      First offense: Up to \$2,500 per employee  
    Subsequent offense(s): Up to \$5,000 per employee
- **Criminal Penalty**                First offense: Misdemeanor - up to 30 days in jail, up to a \$25,000 fine and debarment from performing public work for up to one year.  
    Subsequent offense(s): Misdemeanor - up to 60 days in jail or up to a \$50,000 fine and debarment from performing public work for up to 5 years.

**If you have questions about your employment status or believe that your employer may have violated your rights and you want to file a complaint, call the Department of Labor at (866) 435-1499 or send an email to [dol.misclassified@labor.ny.gov](mailto:dol.misclassified@labor.ny.gov). All complaints of fraud and violations are taken seriously. You can remain anonymous.**

**Employer Name:**

IA 999 (09/16)

**WE ARE YOUR DOL**Department  
of LaborNew York State Department of Labor  
Bureau of Public Work

# Attention Employees

## THIS IS A: **PUBLIC WORK PROJECT**

If you are employed on this project as a **worker, laborer, or mechanic** you are entitled to receive the **prevailing wage and supplements rate** for the classification at which you are working.

Your pay stub and wage notice received upon hire must clearly state your wage rate and supplement rate.

Chapter 629 of the Labor Laws of 2007:

**These wages are set by law and must be posted at the work site. They can also be found at:**  
**<https://dol.ny.gov/bureau-public-work>**



If you feel that you have not received proper wages or benefits, please call our nearest office.\*

|               |                |              |                |
|---------------|----------------|--------------|----------------|
| Albany        | (518) 457-2744 | Patchogue    | (631) 687-4882 |
| Binghamton    | (607) 721-8005 | Rochester    | (585) 258-4505 |
| Buffalo       | (716) 847-7159 | Syracuse     | (315) 428-4056 |
| Garden City   | (516) 228-3915 | Utica        | (315) 793-2314 |
| New York City | (212) 932-2419 | White Plains | (914) 997-9507 |
| Newburgh      | (845) 568-5287 |              |                |

\* For New York City government agency construction projects, please contact the Office of the NYC Comptroller at (212) 669-4443, or [www.comptroller.nyc.gov](http://www.comptroller.nyc.gov) – click on Bureau of Labor Law.

Contractor Name: \_\_\_\_\_

Project Location: \_\_\_\_\_

## Requirements for OSHA 10 Compliance

Article 8 §220-h requires that when the advertised specifications, for every contract for public work, is \$250,000.00 or more the contract must contain a provision requiring that every worker employed in the performance of a public work contract shall be certified as having completed an OSHA 10 safety training course. The clear intent of this provision is to require that all employees of public work contractors, required to be paid prevailing rates, receive such training "prior to the performing any work on the project."

### **The Bureau will enforce the statute as follows:**

All contractors and sub contractors must attach a copy of proof of completion of the OSHA 10 course to the first certified payroll submitted to the contracting agency and on each succeeding payroll where any new or additional employee is first listed.

Proof of completion may include but is not limited to:

- Copies of bona fide course completion card (*Note: Completion cards do not have an expiration date.*)
- Training roster, attendance record or other documentation from the certified trainer pending the issuance of the card.
- Other valid proof

\*\*A certification by the employer attesting that all employees have completed such a course is not sufficient proof that the course has been completed.

Any questions regarding this statute may be directed to the New York State Department of Labor, Bureau of Public Work at 518-457-5589.

(07.19)

## Introduction to the Prevailing Rate Schedule

### Information About Prevailing Rate Schedule

This information is provided to assist you in the interpretation of particular requirements for each classification of worker contained in the attached Schedule of Prevailing Rates.

#### Classification

It is the duty of the Commissioner of Labor to make the proper classification of workers taking into account whether the work is heavy and highway, building, sewer and water, tunnel work, or residential, and to make a determination of wages and supplements to be paid or provided. It is the responsibility of the public work contractor to use the proper rate. If there is a question on the proper classification to be used, please call the district office located nearest the project. District office locations and phone numbers are listed below.

Prevailing Wage Schedules are issued separately for "General Construction Projects" and "Residential Construction Projects" on a county-by-county basis.

General Construction Rates apply to projects such as: Buildings, Heavy & Highway, and Tunnel and Water & Sewer rates.

Residential Construction Rates generally apply to construction, reconstruction, repair, alteration, or demolition of one family, two family, row housing, or rental type units intended for residential use.

Some rates listed in the Residential Construction Rate Schedule have a very limited applicability listed along with the rate. Rates for occupations or locations not shown on the residential schedule must be obtained from the General Construction Rate Schedule. Please contact the local Bureau of Public Work office before using Residential Rate Schedules, to ensure that the project meets the required criteria.

#### Payrolls and Payroll Records

Contractors and subcontractors are required to establish, maintain, and preserve for not less than six (6) years, contemporaneous, true, and accurate payroll records.

Every contractor and subcontractor shall submit to the Department of Jurisdiction (Contracting Agency), within thirty (30) days after issuance of its first payroll and every thirty (30) days thereafter, a transcript of the original payrolls, subscribed and affirmed as true under penalty of perjury.

#### Paid Holidays

Paid Holidays are days for which an eligible employee receives a regular day's pay, but is not required to perform work. If an employee works on a day listed as a paid holiday, this remuneration is in addition to payment of the required prevailing rate for the work actually performed.

#### Overtime

At a minimum, all work performed on a public work project in excess of eight hours in any one day or more than five days in any workweek is overtime. However, the specific overtime requirements for each trade or occupation on a public work project may differ. Specific overtime requirements for each trade or occupation are contained in the prevailing rate schedules.

Overtime holiday pay is the premium pay that is required for work performed on specified holidays. It is only required where the employee actually performs work on such holidays.

The applicable holidays are listed under HOLIDAYS: OVERTIME. The required rate of pay for these covered holidays can be found in the OVERTIME PAY section listings for each classification.

#### Supplemental Benefits

Particular attention should be given to the supplemental benefit requirements. Although in most cases the payment or provision of supplements is straight time for all hours worked, some classifications require the payment or provision of supplements, or a portion of the supplements, to be paid or provided at a premium rate for premium hours worked. Supplements may also be required to be paid or provided on paid holidays, regardless of whether the day is worked. The Overtime Codes and Notes listed on the particular wage classification will indicate these conditions as required.

#### Effective Dates

When you review the schedule for a particular occupation, your attention should be directed to the dates above the column of rates. These are the dates for which a given set of rates is effective. The rate listed is valid until the next effective rate change or until the new annual determination which takes effect on July 1 of each year. All contractors and subcontractors are required to pay the current prevailing rates of wages and supplements. If you have any questions please contact the Bureau of Public Work or visit the New York State Department of Labor website ([www.labor.ny.gov](http://www.labor.ny.gov)) for current wage rate information.

#### Apprentice Training Ratios

The following are the allowable ratios of registered Apprentices to Journey-workers.

For example, the ratio 1:1,1:3 indicates the allowable initial ratio is one Apprentice to one Journeyworker. The Journeyworker must be in place on the project before an Apprentice is allowed. Then three additional Journeyworkers are needed before a second Apprentice is allowed. The last ratio repeats indefinitely. Therefore, three more Journeyworkers must be present before a third Apprentice can be hired, and so on.

Please call Apprentice Training Central Office at (518) 457-6820 if you have any questions.



| Title (Trade)                                  | Ratio   |
|--|---------|
| Boilermaker (Construction)                     | 1:1,1:4 |
| Boilermaker (Shop)                             | 1:1,1:3 |
| Carpenter (Bldg.,H&H, Pile Driver/Dockbuilder) | 1:1,1:4 |
| Carpenter (Residential)                        | 1:1,1:3 |
| Electrical (Outside) Lineman                   | 1:1,1:2 |
| Electrician (Inside)                           | 1:1,1:3 |
| Elevator/Escalator Construction & Modernizer   | 1:1,1:2 |
| Glazier  | 1:1,1:3 |
| Insulation & Asbestos Worker                   | 1:1,1:3 |
| Iron Worker                                    | 1:1,1:4 |
| Laborer  | 1:1,1:3 |
| Mason  | 1:1,1:4 |
| Millwright                                     | 1:1,1:4 |
| Op Engineer                                    | 1:1,1:5 |
| Painter  | 1:1,1:3 |
| Plumber & Steamfitter                          | 1:1,1:3 |
| Roofer   | 1:1,1:2 |
| Sheet Metal Worker                             | 1:1,1:3 |
| Sprinkler Fitter                               | 1:1,1:2 |

If you have any questions concerning the attached schedule or would like additional information, please contact the nearest BUREAU of PUBLIC WORK District Office or write to:

New York State Department of Labor  
Bureau of Public Work  
State Office Campus, Bldg. 12  
Albany, NY 12226

| District Office Locations:             | Telephone #  | FAX #        |
|--|--------------|--------------|
| Bureau of Public Work - Albany         | 518-457-2744 | 518-485-0240 |
| Bureau of Public Work - Binghamton     | 607-721-8005 | 607-721-8004 |
| Bureau of Public Work - Buffalo        | 716-847-7159 | 716-847-7650 |
| Bureau of Public Work - Garden City    | 516-228-3915 | 516-794-3518 |
| Bureau of Public Work - Newburgh       | 845-568-5287 | 845-568-5332 |
| Bureau of Public Work - New York City  | 212-932-2419 | 212-775-3579 |
| Bureau of Public Work - Patchogue      | 631-687-4882 | 631-687-4902 |
| Bureau of Public Work - Rochester      | 585-258-4505 | 585-258-4708 |
| Bureau of Public Work - Syracuse       | 315-428-4056 | 315-428-4671 |
| Bureau of Public Work - Utica          | 315-793-2314 | 315-793-2514 |
| Bureau of Public Work - White Plains   | 914-997-9507 | 914-997-9523 |
| Bureau of Public Work - Central Office | 518-457-5589 | 518-485-1870 |

**AGREEMENT,  
FAITHFUL  
PERFORMANCE  
BOND,  
AND  
LABOR AND  
MATERIAL  
BOND**

180

CONTRACT NO:

COUNTY:

**NEW YORK STATE  
THRUWAY AUTHORITY**

---

**A G R E E M E N T**

---

## NEW YORK STATE THRUWAY AUTHORITY

## AGREEMENT

## CONTRACT NO:

This **AGREEMENT**, entered into this day of \_\_\_\_\_, by the **NEW YORK STATE THRUWAY AUTHORITY** (hereinafter referred to as the "**AUTHORITY**") having its principal office at 200 Southern Blvd. (P. O. Box 189, Albany, NY 12201) in the County of Albany and State of New York and hereinafter called the "**CONTRACTOR**",

- a corporation organized and existing under the laws of the State of \_\_\_\_\_
- a partnership, consisting of \_\_\_\_\_
- an individual conducting business as \_\_\_\_\_

the location of whose principal office is \_\_\_\_\_

**WITNESSETH:** That the Authority and the Contractor for the consideration hereinafter named agree as follows:

**ARTICLE 1. WORK TO BE DONE.**

The Contractor shall (a) furnish all the materials, appliances, tools and labor of every kind required, and construct and complete in the most substantial and skillful manner, the construction, improvement or reconstruction of the project on or before the completion date of the as further described in ARTICLE 4, and as generally identified and shown on the plans entitled:

in accordance with the "Standard Specifications" of the New York State Department of Transportation, which contain the information for bidders; form of proposal, agreement, and bonds; general specifications and conditions or contract; materials of construction; and payment items; and (b) do everything required by the Contract (Contract Documents) as defined herein.

The Contractor agrees that its proposal contained herein is based upon performing all the work of the Contract in accordance with a schedule that will result in the completion of the total works by the Date of Completion of the Contract and all intermediate stage and phase completion requirements of the contract, while adhering to all restrictions set forth in the Schedule and Suspension of Work, the Thruway Traffic Plan, and the General and Special Notes, and that the work will be performed at the unit bid prices, as shown on the contract documents and as detailed in the specifications and notes, utilizing the Labor Force, Qualified Disadvantaged, Women Owned and Minority Owned Subcontractor Entrepreneurs and Methods and Materials of Construction as described in the Contract Documents and any incorporated Addenda thereto, and conduct its operations in accordance with the Vehicle and Traffic Law, the Rules and Regulations of the NYS Thruway Authority, and the Thruway Operating Rules and General and Special Notes that are part of this proposal. The Contractor further agrees its proposal is not based upon the assumption that any specifications, traffic restrictions, scheduling or phasing/staging requirements will be waived, an extension of Contract Completion Date will be granted, a labor dispensation will be granted, substitution of non-approved products, alternatives or claimed functional equivalents for Specified Construction Materials and Methods will be allowed, or any Value Engineering Proposals will be entertained and approved by the New York State Thruway Authority, and any requests for a substitution, equivalent or alternate, which it proposes, will be accompanied by an agreed price analysis establishing an applicable credit or illustrating cost equal to or greater than the bid amount.

#### **ARTICLE 2. DOCUMENTS FORMING THE CONTRACT.**

The Contract (and Contract Documents) shall be deemed to include the advertisement for proposals; the contractor's proposal; the Schedule for Participation By Disadvantaged Business Enterprise Participation goals; the agreement; the "Standard Specifications" including all addenda thereto referred to above; the plans; any addenda and/or amendments to specifications if the same are issued prior to date of receipt of proposal and all provisions required by law to be inserted in the contract whether actually inserted or not. Appendix A, standard clauses for all N.Y State contracts, is attached hereto and is hereby made a part of this agreement as if set forth fully herein.

#### **ARTICLE 3. EXAMINATION OF DOCUMENTS AND SITE.**

The Contractor agrees that before making its proposal it carefully examined the contract documents, together with the site of the proposed work, as well as its surrounding territory, and is informed regarding all of the conditions affecting the work to be done and labor and materials to be furnished for the completion of this contract, including the existence of poles, wires, pipes, and other facilities and structures of municipal and other public service corporations on, over or under the site, except latent conditions that meet the requirements of §104-04 and §109-05, and that its information was secured by personal investigation and research.

#### **ARTICLE 4. DATE OF COMPLETION.**

The Contractor further agrees that it will begin the work herein embraced within ten days of the effective date hereof, unless the consent of the Authority, in writing, is given to begin at a later date, and that it will prosecute the same so that it shall be entirely completed and performed on or before the completion date shown in Article 1.

No extension beyond the date of completion fixed by the terms of this contract shall be effective unless in writing signed by the Authority. Such extension shall be for such time and upon such terms and conditions as shall be fixed by the Authority, which may include the assessment of liquidated damages and a charge for engineering and inspection expenses actually incurred upon the work, including engineering and inspection expenses incurred upon the work by railroad companies on contracts for grade crossing elimination. Notice of application for such extension shall be filed with the Chief Engineer, Department of Engineering of the Authority at least fifteen days prior to the date of completion fixed by the terms of this agreement.

#### **ARTICLE 5. ALTERATIONS AND OMISSIONS.**

The said work shall be performed in accordance with the true intent and meaning of the contract documents without any further expense of any nature whatsoever to the Authority other than the consideration named in this agreement.

The Authority reserves the right at any time during the progress of the work, to alter the plans or omit any portion of the work as it may deem reasonably necessary for the public interest; making allowances for additions and deductions with compensation made in accordance with the Standard Specifications, for this work without constituting grounds for any claim by the contractor for allowance for damages or for loss of anticipated profits, or for any variations between the approximate quantities and the quantities of the work as done.

#### **ARTICLE 6. NO COLLUSION OR FRAUD.**

The Contractor hereby agrees that the only person or persons interested as principal or principals in the bid or proposal submitted by the Contractor for this contract are named therein, and that no person other than those mentioned therein has any interest in the above-mentioned proposal or in securing of the award, and that this contract has been secured without any connection with any person or persons other than those named, and that the proposal is in all respects fair and was prepared and the contract was secured without collusion or fraud and that neither any officer nor employee of the New York State Thruway Authority or the State Department of Transportation or either of them has or shall have a financial interest in the performance of the contract or in the supplies, work or business to which it relates, or in any portion of the profits thereof. (See also Section 139-a and 139-b of the State Finance Law referred to in the Standard Specifications, which are made a part of this contract.)

#### **ARTICLE 7. CONTRACT PAYMENTS.**

As the work progresses in accordance with the contract and in a manner that is satisfactory to the Authority, the Authority hereby agrees to make payments to the Contractor therefore, based upon the proposal attached hereto and made a part hereof, as follows: The Authority shall, once in each month and on such days as it may fix, make an estimate of the quantity of work done and of material which has actually been put in place in accordance with the terms and conditions of the contract, during the preceding month, and compute the value thereof and pay to the Contractor the moneys due in accordance with Public Authorities Law Section 2880, as detailed in 21 NYCRR Part 109 (Prompt Payment). No monthly estimate shall be rendered unless the Contractor has provided acceptable documentation with regard to actions taken to comply with the M/WBE goals of the contract (see also §109-06 Contract Payments) and the value of the work done equals 5% of the contract amount or \$1,000, whichever is the lesser. Semi-monthly estimates may be rendered provided (a) the value of the work performed in two successive weeks is more than \$100,000 or (b) the Chairman of

the Authority deems it to be for the best interest of the Authority to do so.

Contractor understands and agrees that payments will only be rendered electronically unless payment by paper check is expressly authorized by the Authority, in its sole discretion, due to extenuating circumstances. Contractor shall comply with the Authority's procedures to authorize electronic payments. Authorization forms are available at <http://www.thruway.ny.gov/business/purchasing/epayments/index.html>, by e-mail at [suppliermgmt@thruway.ny.gov](mailto:suppliermgmt@thruway.ny.gov), or by telephone at (518) 436-2859. Contractor acknowledges that it will not receive payment of any estimates submitted under this Agreement if it does not comply with the Authority's electronic payment procedures, except where the Authority has expressly authorized payment by paper check as set forth above.

**ARTICLE 8. PAYMENT DUE TO CONTRACTOR'S NON-COMPLIANCE.**

It is further agreed that so long as any lawful or proper direction concerning the work or material given by the Chief Engineer, Department of Engineering of the New York State Thruway Authority, or his/her representative, shall remain uncomplied with, the Contractor shall not be entitled to have any estimate made for the purpose of payment, nor shall any estimate be rendered on account of work done or material furnished until such lawful or proper direction aforesaid has been fully and satisfactorily complied with.

**ARTICLE 9. FINAL ACCEPTANCE OF WORK.**

When in the opinion of the Thruway Division Director, a Contractor has fully performed the work under the contract, the Thruway Division Director shall recommend to the Chief Engineer, Department of Engineering of the New York State Thruway Authority, the acceptance of the work so completed. If the Chief Engineer, Department of Engineering accepts the recommendation of the Thruway Division Director, he/she shall thereupon by letter notify the Contractor of such acceptance. Copies of such acceptance shall be sent to other interested parties. Prior to the final acceptance of the work by the Chief Engineer, Department of Engineering of the New York State Thruway Authority or a designee, the contract work may be inspected, accepted and approved by other agencies and/or municipalities who will have jurisdiction of the work after final acceptance.

Final acceptance shall be final and conclusive except for defects not readily ascertainable by the New York State Thruway Authority, actual or constructive, fraud, gross mistakes amounting to fraud or other errors which the Contractor knew or should have known about as well as the New York State Thruway Authority's rights under any warranty or guarantee. Final acceptance may be revoked by the New York State Thruway Authority at any time prior to the issuance of the final check, upon the New York State Thruway Authority's discovery of such defects, mistakes, fraud or errors in the work.

**ARTICLE 10. FINAL PAYMENT.**

After the final acceptance of the work, the Engineer shall prepare a final agreement of the work performed and the materials placed and shall compute the value of such work and materials under and according to the terms of the contract.

This agreement shall be certified, as to its correctness, by the Engineer. Upon approval of such final agreement by the Director, Office of Construction Management, it shall be submitted to the Chief Engineer,

Department of Engineering for final approval. The right, however, is hereby reserved to the Chief Engineer, Department of Engineering to reject the whole or any portion of the final agreement, should the said certificate of the Engineer be found or known to be inconsistent with the terms of the agreement or otherwise improperly given. All certificates, upon which partial payments may have been made being merely estimates, shall be subject to correction in the final certificate or final agreement.

## **ARTICLE 11. RIGHT TO SUSPEND WORK AND CANCEL CONTRACT.**

### **Article 11.1 General Right to Suspend and Cancel Contract.**

It is further mutually agreed that if at any time during the prosecution of the work the Authority shall determine that the work is not being performed in accordance with the Contract or for the best interest of the Authority, the Chief Engineer, Department of Engineering, may proceed in any of the following ways:

- 1) Temporarily suspend the execution of the work by the Contractor, and the Chief Engineer of the Authority may then proceed with the work under his/her own direction in such manner as will accord with the Contract Documents and be for the best interests of the Authority; or
- 2) Terminate the Contract while it is in progress, and thereupon proceed with the work by a new contract negotiated or publicly advertised, by the use of his/her own forces, by calling upon the Surety to complete the Work in accordance with the Contract Documents, or by a combination of any such methods; or
- 3) Cancel the Contract and re-advertise and re-procure in accordance with applicable law; or
- 4) Complete the Work under the Authority's direction in such a manner as will accord with the Contract Documents and be for the best interests of the Authority.

Any excess in the cost of completing the Contract beyond the Contract Price for which it was originally awarded shall be charged to and paid by the Contractor failing to perform the Work or its Surety, all pursuant to the provisions of Section 40 of the New York State Highway Law.

In the event of suspension or termination, the Contractor shall be paid its costs, including contract close-out costs, and profit on work satisfactorily performed and project design costs actually incurred up to the time of termination, less an amount necessary to satisfy any claims, liens or judgments against the Contractor. The Contractor shall promptly submit its termination claim. The Contractor will only be paid the contract price for materials delivered and accepted, or services performed in accordance with the manner or performance set forth in this contract, less an amount necessary to satisfy any claims, liens or judgments against the Contractor.

Whenever the Authority determines to suspend or stop Work under this Contract, a written notice sent by mail to the Contractor at its address and to its Sureties at their respective addresses shall be sufficient notice of its action in the premises.

### **Article 11.2 Termination for Cause.**

- A. If at any time during the prosecution of the work the Chief Engineer shall determine that the work under the Contract is not being performed according to the Contract or any



provision of the Contract is violated by the Contractor or by any subcontractor or that an Event of Default (as defined below) has occurred hereunder, the Chief Engineer, in his or her sole and absolute discretion, may proceed in any of the following ways:

- (1) Suspend or stop work by the Contractor, and the Chief Engineer may then complete the Work under his/her own direction in such manner as further described in the Contract Documents and as determined by the Chief Engineer to be in the best interests of the Authority; or
- (2) Terminate the Contract while it is in progress, and thereupon complete the work by: a new contract negotiated or publicly advertised; use of the Authority's own forces; calling upon the Surety to complete the Work in accordance with the Contract; or a combination of any such methods; or
- (3) Terminate the Contract and re-advertise as provided in law or if applicable, demand upon the Surety to complete any and all remaining work pursuant to the terms of the Contract and the Faithful Performance Bond.

As used herein, an "Event of Default" shall mean a material breach of the Contract by the Contractor which, without limitation, the following has occurred: (i) the Contractor has failed to begin the work in accordance with the Contract requirements; (ii) performance of this Contract has been unnecessarily or unreasonably delayed, (iii) the Contractor has willfully violated any of the provisions of the Contract or has not executed the same in good faith and in accordance with this Contract; (iv) the Contractor has abandoned the work; (v) the Contractor has become insolvent (other than as a bankrupt), or has assigned the proceeds of this Contract for the benefit of creditors, or taken advantage of any insolvency statute or debtor or creditor law or if his property or affairs have been put in the hands of a receiver; (vi) the Contractor has failed to obtain an approval required by the Contract; (vii) the Contractor has failed to provide the required insurances; (viii) the Contractor has failed to provide "adequate assurance" as required; or (ix) the Contractor is found to be non-responsible.

- B. Any excess in the cost of completing the Contract beyond the price for which it was originally awarded shall be charged to and paid by the Contractor failing to perform the work or by the Contractor's Surety, pursuant to the terms and conditions of Section 40 of the New York State Highway Law and the Faithful Performance Bond.
- C. Whenever the Authority determines to suspend, stop work, or terminate under this provision of the Contract, the Contractor and Surety shall receive written notice specifying the basis for such default (the "Default Notice"). Contractor shall have fifteen (15) days from the date of the Default Notice to cure such default, except that, at Authority's sole discretion, the Authority may extend such fifteen (15) day period for such additional period as the Authority shall deem appropriate without waiver of any of its rights hereunder. The Default Notice shall specify the date the Contractor is to discontinue all work if such default is not timely cured (the "Termination Date"). If the Event of Default is not cured or arrangements satisfactory to the Authority are not made (as evidenced in writing by the Authority) within the designated cure period, then Contractor shall suspend work and/or the Contract shall terminate, as the case may be, upon the Termination Date.

- D. Upon occurrence of an Event of Default or a termination for cause pursuant to this Article, the Authority has the remedies set forth in the Faithful Performance Bond, the Contract, and all remedies at law or in equity.
- E. In the event the termination for cause is determined to be improper, the termination shall be deemed a Termination for Convenience as identified in Article 11.3.

**Article 11.3 Termination for Convenience.**

- A. The Authority, at any time, may terminate the Contract in whole or in part. Any such termination shall be effected by delivering to the Contractor a written notice of termination specifying the extent to which performance of work under the Contract is terminated and the date upon which the termination becomes effective. Upon receipt of the notice of termination, the Contractor shall act promptly to minimize the expenses resulting from the termination.
- B. The Authority shall pay the Contractor for work of the contract performed by the Contractor and accepted by the Authority for the period extending from the end of the period covered by the last approved Application for Payment up to the effective date of the termination, an amount determined in accordance with the Contract Documents. In no event shall the Contractor be entitled to compensation in excess of the total consideration of the Contract. In no event shall the Contractor be entitled to overhead or profit on the work not performed.
- C. In the event of such termination, the Authority may take over the work and prosecute the Contract to completion and may take possession of and may utilize such materials, appliances, and equipment on the site and necessary or useful in completing the work. The Authority also has the right to suspend the execution of the Work for convenience and/or to terminate the Contract for convenience.

Whenever the New York State Thruway Authority determines to suspend or stop work under the contract, a written notice sent by mail to the Contractor at its address and to the sureties at their respective addresses, shall be sufficient notice of its action in the premises.

**Article 11.4 Termination for Vendor Responsibility.**

- A. Contractor shall at all times during the Contract term remain responsible. Contractor agrees, if requested by the Authority, to present evidence of its continuing legal authority to do business in New York State, integrity, experience, ability, prior performance, and organizational and financial capacity.
- B. The Authority, in its sole discretion, reserves the right to suspend any or all activities under this Contract, at any time, when it discovers information that calls in to question the responsibility of Contractor. In the event of such suspension, Contractor will be given written notice outlining the particulars of such suspension. Upon issuance of such notice, Contractor shall comply with the terms of the suspension order. Contract activity may resume at such time as the Authority issues a written notice authorizing a resumption of performance under the Contract.
- C. Notwithstanding any other provision of this Contract, if the Authority determines Contractor to be non-responsible, the Authority shall have the right to terminate the Contract for cause pursuant to the terms of Article 11.2 - Termination for Cause herein.

In such event, the Authority shall have all rights and remedies set forth in Article 11.2, including, without limitation, the right to complete Contractor's contractual requirements in any manner the Authority may deem advisable and to pursue available legal or equitable remedies for the breach.

- D. In no event shall termination of the Contract by the Authority for reasons of Contractor's non-responsibility be deemed a breach by the Authority, nor shall the Authority be liable for any damages or lost profits or otherwise that Contractor may incur as a result of such termination.
- E. The Authority may require at any time the removal of a subcontractor to the Contractor that the Authority determines is not responsible.

#### **ARTICLE 12. DETERMINATION AS TO VARIANCES.**

In any case of any ambiguity in the plans, specifications or maps, or between any of them, the matter must be immediately submitted to the Chief Engineer, Department of Engineering, who shall adjust the same, and his/her decision in relation thereto shall be final and conclusive upon the parties.

#### **ARTICLE 13. SUCCESSORS AND ASSIGNS.**

This Agreement shall bind the successors, assigns and representatives of the parties hereto.

#### **ARTICLE 14. INTERNATIONAL BOYCOTT PROHIBITION.**

In accordance with Chapter 406 of the Laws of 1981, the Contractor hereby promises, asserts and represents that neither the Contractor nor any substantially owned or affiliated person, firm, partnership or corporation has participated, is participating or shall participate in an international boycott in violation of the provisions of the United States Export Administration Act of 1969, as amended, or the United States Export Administration Act of 1979, or the effective Regulations of the United States Department of Commerce promulgated under either act.

It is understood further that the Authority in awarding a contract does so in material reliance upon the promise and representation made by the Contractor in the foregoing paragraph and that such contract shall be rendered forfeit and void by the State Comptroller if subsequent to the bid execution date, the Contractor or such owned or affiliated person, firm, partnership or corporation has been convicted of a violation of the aforesaid Acts or Regulations or has been found upon final determination of the United States Commerce Department or any other appropriate agency of the United States to have violated such Acts or Regulations.

The Contractor agrees to and shall notify the Chief Engineer, Department of Engineering and the Director of the Office of Construction Management and the Director of State Expenditures in the Office of the State Comptroller of any such conviction or final determination of violation within five (5) days thereof.

#### **ARTICLE 15. CERTIFICATION OF STATE FINANCE LAW SECTIONS 139-J AND 139-K.**

By execution of this Agreement the Contractor certifies that all information provided with respect to New York State Finance Law Section 139-j and Section 139-k is complete, true and accurate. The Authority shall have a right to terminate this Agreement in the event the Authority finds that the certification made by the Contractor in accordance with New York State Finance Law Sections 139-j and 139-k was intentionally false or intentionally incomplete. This

includes the Authority's right to terminate this Agreement at any time in the event the Authority finds that Contractor is non-responsible or has failed to accurately disclose vendor responsibility information.

#### **ARTICLE 16. WRITTEN NOTICES.**

All notices permitted or required hereunder shall be in writing and transmitted by either:

- a. certified or registered United States mail, return receipt requested;
- b. facsimile transmission;
- c. personal delivery;
- d. expedited delivery service; or
- e. e-mail.

Such notices shall be addressed to the individuals or titles named in the contract documents, or which are designated by the Contractor or the Authority at the pre-construction meeting, or which are designated by the Authority or the Contractor from time to time during the course of the Contract pursuant to the requirements herein.

Any such notice shall be deemed to have been given either at the time of personal delivery or, in the case of expedited delivery service or certified or registered United States mail, as of the date of first attempted delivery at the address and in the manner provided herein, or in the case of facsimile transmission or email, upon receipt.

The parties may, from time to time, specify a new or different address in the United States as their address for the purpose of receiving notice under this Agreement by giving fifteen (15) days written notice to the other party sent in accordance herewith. The parties agree to mutually designate individuals as their respective representatives for the purposes of receiving notices under this Agreement. Additional individuals may be designated in writing by the parties for purposes of implementation and administration/billing, resolving issues and problems and/or for dispute resolution.

#### **ARTICLE 17. SUBCONTRACTING.**

Contractor agrees not to subcontract any of its services without the prior written approval of the Authority.

Contractor retains ultimate responsibility for all services performed under the Agreement and shall pay any subcontractors promptly for work performed under this Agreement. Contractor shall be fully responsible to the Authority for the acts and omissions of its subcontractors, and of persons either directly or indirectly employed by them, just as Contractor is fully responsible to the Authority for the acts and omissions of persons directly employed by Contractor.

All subcontracts shall be in writing and shall contain provisions, which are functionally identical to, and consistent with, the provisions of this Agreement including, but not limited to, the body of this Agreement, Appendix A – Standard Clauses for New York State Thruway Authority Contracts, and the Contract Documents. Unless expressly waived in writing by the Authority, all subcontracts between the Contractor and its subcontractors shall expressly name the Authority, as the sole intended third party beneficiary of such subcontract. The Authority reserves the right to review and approve or reject any subcontract, as well as any amendment to said subcontract(s), and this right shall not make the Authority a party to any subcontract or create any right, claim, or interest in the subcontractor or proposed

subcontractor against the Authority. The Authority shall have the right to withdraw its consent to a subcontractor if, at the sole discretion of the Authority, it appears that the subcontract will delay, prevent, or otherwise impair Contractor's performance of services under this Agreement. Upon request, Contractor shall furnish to the Authority copies of all Contracts between Contractor and its subcontractors used to perform services for this Agreement.

The Authority reserves the right, at any time during the term of the Agreement, to verify that the written subcontract between Contractor and its subcontractors is in compliance with all of the provisions of this Article 17 and any subcontract provisions contained in this Agreement.

Contractor shall give the Authority immediate notice in writing of the initiation of any legal action or suit which relates in any way to a subcontract with a subcontractor or which may affect the performance of the Contractor's duties under the Agreement. Any subcontract shall not relieve the Contractor in any way of any responsibility, duty and/or obligation of the Agreement.

If at any time during performance under this Agreement total compensation to a subcontractor exceeds or is expected to exceed \$100,000, said subcontractor shall be required to electronically submit and certify a new Vendor Responsibility Questionnaire directly to the Office of the New York State Comptroller, or submit and certify all necessary updated information thereof.

Nothing contained in this Agreement shall create any contractual relationship between a subcontractor and the Authority.

#### **ARTICLE 18. CONFIDENTIALITY AND NON-DISCLOSURE.**

- A. "Confidential Information" means any information not generally known to the public, or that the Authority claims is confidential, whether oral, written, or electronic, that the Authority discloses, directly or indirectly, through any means of communication, to Contractor. Confidential Information includes, but is not limited to, operational and infrastructure information relating to: bid documents, plans, drawings, specifications, reports, product information and data; business and security processes and procedures; personnel and organizational data; financial statements; information system IP addresses, passwords, security controls, architectures and designs; and such other data, information and images that the Authority deems confidential.
- B. Confidential Information does not include information which, at the time of the Authority's disclosure to Contractor: (1) is already in the public domain or becomes publicly known through no act of Contractor; or (2) is already known by Contractor free of any confidentiality obligations.

If Contractor wants to disclose Confidential Information, it shall notify the Authority and specify the Confidential Information it wants to disclose. Contractor may only disclose such Confidential Information if the Authority approves such disclosure in writing, subject to such other terms and conditions as the Authority may require. Such approval, if given, shall only apply to the particular request and the specific Confidential Information for

which it is given.

If Contractor is required to disclose or make available, directly or indirectly, Confidential Information pursuant to statute, court or administrative order, subpoena, contractual obligation, or otherwise by law, Contractor shall: (1) notify the Authority that it has received such legal demand as soon as practicable, but in all events prior to any disclosure; (2) permit the Authority to take the steps it deems necessary and appropriate to protect the Confidential Information from disclosure; (3) cooperate to the fullest extent possible under the law with the Authority's efforts to protect the Confidential Information from disclosure; and (4) disclose only such Confidential Information, and only such portions thereof, as is required to satisfy the legal demand, and limit any such disclosure of Confidential Information to the fullest extent permissible under the law.

- C. Contractor may use Confidential Information solely for the purposes of providing services to the Authority pursuant to this Agreement. Contractor may make copies of Confidential Information but only to the extent necessary for the disclosures and uses permitted by this Agreement. Contractor will make commercially reasonable efforts to ensure that any copy of Confidential Information that is made is marked to show that it is or contains Confidential Information. Contractor may share Confidential Information with third parties: (i) that are required for Contractor's provision of services to the Authority pursuant to this Agreement (e.g., Contractors and subcontractors); and (ii) that agree in writing to be bound by the confidentiality provisions of this Agreement; however, Contractor may share only that Confidential Information that is necessary to the third party's contribution to Contractor's provision of services to the Authority pursuant to this Agreement and Contractor must first obtain the Authority's prior written consent.

The Authority's disclosure of Confidential Information to Contractor shall not convey to Contractor any right, title, or interest in or to such Confidential Information, and this Agreement does not transfer ownership of Confidential Information or grant a license thereto. The Authority shall retain all right, title, and interest in and to all such Confidential Information at all times.

- D. Contractor shall hold Confidential Information confidential to the maximum extent permitted by law. Contractor shall safeguard Confidential Information with at least the same level of care and security that Contractor uses to maintain and protect from disclosure its own confidential information, using all reasonable and necessary security measures, devices, and procedures that Contractor uses to maintain its own confidential information, but in all events with not less than reasonable care.

Contractor shall take reasonable steps to prevent unauthorized access to, use of, or disclosure of Confidential Information, including without limitation, by protecting its passwords and other log-in information. Contractor shall notify the Authority immediately of any known or suspected misuse or misappropriation of Confidential Information and shall use its best efforts to stop said misuse or misappropriation.

- E. Upon written request of the Authority, or upon expiration or termination of this Agreement, Contractor shall return all Confidential Information to the Authority, or certify in writing that it has been destroyed and no copies exist.
- F. Contractor agrees that breach of this Article 18 would cause the Authority irreparable

injury, for which monetary damages would not provide adequate compensation, and that in addition to any other remedy, the Authority will be entitled to injunctive relief against such breach or threatened breach, without proving actual damages or posting a bond or other security.

- G. Without limiting the foregoing, the obligations and assurances involving Confidential Information pursuant to this Agreement shall survive termination or expiration of this Agreement.

**ARTICLE 19. NEW YORK STATE HUMAN RIGHTS LAW, ARTICLE 15 OF THE EXECUTIVE LAW.**

The New York State Human Rights Law, Article 15 of the Executive Law, prohibits discrimination (including to refuse to hire or employ or to bar or to discharge from employment an individual or to discriminate against such individual in compensation or in terms, conditions or privileges of employment) and harassment based on age, race, creed, color, national origin, sex, , sexual orientation, gender identity or expression, disability, marital status, familial status, domestic violence victim status, prior arrest or conviction record, military status or predisposing genetic characteristics, or because the individual has opposed any practices forbidden under the Human Rights Law or because the individual has filed a complaint, testified or assisted in any proceeding under the Human Rights Law, regardless of whether such harassment would be considered severe or pervasive under precedent applied to harassment claims. Harassment is an unlawful discriminatory practice when it subjects an individual to inferior terms, conditions or privileges of employment because of the individual's membership in one or more of these protected categories.

The Human Rights Law may also require reasonable accommodation for persons with disabilities and pregnancy-related conditions. A reasonable accommodation is an adjustment to a job or work environment that enables a person with a disability to perform the essential functions of a job in a reasonable manner. The Human Rights Law may also require reasonable accommodation in employment on the basis of Sabbath observance or religious practices.

Generally, the Human Rights Law applies to:

- all employers of four or more people, employment agencies, labor organizations and apprenticeship training programs in all instances of discrimination or harassment;
- employers with fewer than four employees in all cases involving sexual harassment; and,
- any employer of domestic workers in cases involving sexual harassment or harassment based on gender, race, religion or national origin.

In accordance with New York State Executive Order No. 177, by execution of this Agreement, Contractor hereby certifies, that it does not have institutional policies or practices that fail to address the harassment and discrimination of individuals on the basis of their age, race, creed, color, national origin, sex, sexual orientation, gender identity, disability, marital status, military status, or other protected status under the Human Rights Law.

Executive Order No. 177 and the aforementioned certification do not affect institutional policies or practices that are protected by existing law, including but not limited to the First Amendment of the United States Constitution, Article 1, Section 3 of the New York State Constitution, and Section 296(11) of the New York State Human Rights Law.

**ARTICLE 20. DEBARMENT CERTIFICATION.**

- A. The Contractor certifies to the best of its knowledge and belief, that it and its principals:
1. Are not presently debarred, suspended, proposed for debarment, declared ineligible, or voluntarily excluded from participating in covered transactions by any Federal department or agency;
  2. Have not within a three-year period preceding this contract been convicted of or had a civil judgment rendered against them for commission of fraud or a criminal offense in connection with obtaining, attempting to obtain, or performing a public (Federal, State, or local) transaction or contract under a public transaction; violation of Federal or State antitrust statutes or commission of embezzlement, theft, forgery, bribery, falsification or destruction of records, making false statements, or receiving stolen property;
  3. Are not presently indicted for or otherwise criminally or civilly charged by a governmental entity (Federal, State or local) with commission of any of the offenses enumerated in paragraph (A)(2) of this certification; and
  4. Have not within a three-year period preceding this application/proposal/contract had one or more public transactions (Federal, State or local) terminated for cause or default.

**ARTICLE 21. CONFLICTS OF INTEREST.**

- A. Contractor has provided as Exhibit V (attached hereto and made a part of this Agreement), the Vendor Assurance of No Conflict of Interest or Detrimental Effect form, signed by an authorized executive or legal representative attesting that Contractor's performance of the services does not and will not create a conflict of interest with, nor position Contractor to breach any other contract currently in force with the Authority or the State of New York, that Contractor will not act in any manner that is detrimental to any Authority or State of New York project for which Contractor is rendering services.
- B. Contractor hereby reaffirms the attestations made in its proposal and covenants and represents that there is and shall be no actual or potential conflict of interest that could prevent Contractor's satisfactory or ethical performance of duties required to be performed pursuant to the terms of this Agreement. Contractor hereby agrees it shall have a continuing affirmative duty and obligation to notify the Authority immediately of any actual or potential conflicts of interest.
- C. In conjunction with any subcontract under this Agreement, Contractor shall obtain and deliver to the Authority, prior to entering into a subcontract, a Vendor Assurance of No Conflict of Interest or Detrimental Effect form, signed by an authorized executive or legal representative of the subcontractor. Contractor shall also require in any subcontracting agreement that the subcontractor, in conjunction with any further subcontracting agreement, obtain and deliver to the Authority a signed and completed Vendor Assurance of No Conflict of Interest or Detrimental Effect form for each of its subcontractors prior to entering into a subcontract.
- D. The Authority and Contractor recognize that conflicts may occur in the future because



Contractor may have existing, or establish new, relationships. The Authority will review the nature of any relationships and reserves the right to terminate this Agreement for any reason, or for cause, if, in the judgment of the Authority, a real or potential conflict of interest cannot be cured.

#### **ARTICLE 22. ETHICS.**

Contractor and subcontractors may hire former State agency or Authority employees. However, as a general rule and in accordance with New York Public Officers Law, former employees of the Authority may neither appear nor practice before the Authority, nor receive compensation for services rendered on a matter before the Authority, for a period of two years following their separation from Authority service. In addition, former Authority employees are subject to a "lifetime bar" from appearing before the Authority or receiving compensation for services regarding any transaction in which they personally participated or which was under their active consideration during their tenure with the Authority.

During the term of the Agreement, Contractor and its subcontractors shall not engage any person who is, or has been at any time, in the employ of the Authority or New York State to perform services under the Agreement in violation of: the provisions of the Public Officers Law ("POL"); the rules, regulations, opinions, guidelines, or policies promulgated or issued by the New York State Joint Commission on Public Ethics ("JCOPE Regulations"); and any other laws applicable to the service of current or former Authority or New York State employees ("Other Laws," and, together with POL and JCOPE Regulations, collectively, the "Ethics Provisions"). Contractor certifies that all of its employees and employees of any subcontractor who are former employees of the Authority or New York State and who are assigned to perform services under the Agreement shall be assigned in accordance with all Ethics Provisions. Further, during the term of the Agreement, no person who is employed by Contractor or its subcontractors and who is disqualified from providing services under the Agreement pursuant to any Ethics Provisions may share in any net revenues Contractor or its subcontractors derives from the Agreement.

Contractor shall identify and provide the Authority with notice of those employees of Contractor or its subcontractors who are former employees of the Authority or New York State and who will be assigned to perform services under the Agreement, and shall ensure that such employees comply with all applicable laws and prohibitions. The Authority may, request that Contractor provide it with whatever information the Authority deems appropriate about each such person's engagement, work cooperatively with the Authority to solicit advice from the New York State Joint Commission on Public Ethics, and, if deemed appropriate by the Authority, instruct any such person to seek the opinion of the Joint Commission on Public Ethics. The Authority shall have the right to withdraw or withhold approval of any subcontractor if utilizing such subcontractor for any work performed hereunder would be in conflict with any of the Ethics Requirements. The Authority shall have the right to cancel or terminate the Agreement at any time if any work performed under the Agreement is in conflict with any Ethics Provisions.

#### **ARTICLE 23. MINORITY AND WOMEN BUSINESS ENTERPRISE GOALS AND SERVICE DISABLED VETERANS OWNED BUSINESS GOALS.**

This Contract is subject to State provisions (including State Executive Law 15-A and 5 NYCRR Parts 140-145) concerning the utilization of Minority-Owned Business Enterprises (MBE) and Women-Owned Business Enterprises (WBE) (collectively M/WBE). All State M/WBE requirements are applicable to this Contract. The approved overall combined MBE and WBE participation goal for the project is established in the Contract Documents.

This Contract is subject to State provisions (including State Executive Law 15-A and 5 NYCRR Parts 140-145) concerning the utilization of Service Disabled Veterans Owned Business (SDVOB). All State SDVOB requirements are applicable to this Contract. The approved overall SDVOB participation goal for the project is established in the Contract Documents.

**ARTICLE 24. IRAN DIVESTMENT ACT- SECTION 2879-C OF THE PUBLIC AUTHORITIES LAW.**

- A. As used in this Article 24, "person" has the meaning set forth in paragraph (e) of subdivision 1 of Section 165-a of the State Finance Law.
- B. As used in this Article 24 "Contract" means this Agreement.
- C. Contractor hereby provides the following certification: By signing this Contract, each person and each person signing on behalf of any other party certifies, and in the case of a joint bid or partnership each party thereto certifies as to its own organization, under penalty of perjury, that to the best of its knowledge and belief, that each person is not on the list created pursuant to paragraph (b) of subdivision 3 of Section 165-a of the State Finance Law.

**ARTICLE 25. COVENANT AGAINST CONTINGENT FEES.**

Contractor warrants that it has not employed or retained any company or person, other than a bona fide employee working for Contractor, to solicit or secure this Agreement, and has not paid or agreed to pay any company or person, other than a bona fide employee, any fee, commission, percentage, brokerage fee, gift, or any other consideration, contingent upon or resulting from the award or making of this Agreement. In the event Contractor violates this warranty, Authority shall have the right to terminate this Agreement without liability, or, in its discretion, to deduct from payments otherwise owed to the Contractor for services provided pursuant to this Agreement the full amount of such fee, commission, percentage, brokerage fee, gift or other consideration.

**ARTICLE 26. COMPLIANCE MONITORING.**

In the event that the Contractor, its affiliates or any subcontractor is or becomes subject to a compliance monitoring requirement consequent to an agreement with a governmental entity at any time prior to completion of the contract, the Contractor shall promptly notify the Authority of the same. Compliance monitoring means any requirement imposed by a governmental entity arising from an investigation of activities of the Contractor, its affiliates, or any subcontractor concerning alleged compliance violations, pursuant to which the subject entity is obligated to allow an independent third party to review, analyze, investigate or report on that entity's future compliance with governmental rules and/or contractual requirements arising from governmental rules. Said notice shall be in writing and shall include (i) a copy of the order, settlement or other document setting forth the requirement to implement a monitoring program and (ii) the specific requirements and conditions of the required program. If the order, settlement or other document is subject to confidentiality protection that cannot be unilaterally waived by the Contractor or the entity that is subject to the requirement, the Contractor shall cause the subject entity to confirm that it is subject to a compliance monitoring requirement

and to provide a confidential summary of the terms and conditions of the monitoring requirement to the Contractor, with a copy to the Authority.

The Contractor shall further cause the subject entity to promptly notify the Contractor, with a copy to the Authority, of any violations of the monitoring program by the subject entity and of any other concerns expressed by the monitor regarding compliance with the monitoring program requirements. In such event, the Contractor shall provide to the Authority a detailed written report as to whether and to what extent, if any, the violation or concerns expressed by the monitor are relevant to the Contractor's compliance with its Contract obligations, or to the performance of work by the Contractor. The Authority shall at all times have the right to independently investigate whether any matter raised by the monitor will have any effect upon the Contractor's compliance with its Contract obligations or performance of work by the Contractor and/or subject entity. If any such violation occurs or concerns expressed by the monitor involve compliance requirements that are deemed by the Authority to be relevant to the Contract, the Authority shall have the right to require the Contractor to institute, at Contractor expense, additional data keeping, reporting, and/or other safeguard measures, including permitting independent auditing and access to pertinent records of the Contractor or the subject entity to mitigate risk that a similar violation will occur on the project or be a cause for concern with respect to the Contractor's performance of its obligations under the Contract. The Authority's audit rights under the Contract shall include the right to audit and access pertinent records of the Contractor or the subject entity relating to compliance issues described herein.

The Authority agrees to take all reasonable measures to maintain the confidentiality (to the extent permitted by law) of any information provided by Contractor and/or the subject entity pursuant to this Article 26 which the Contractor has reasonably designated as confidential, and the provisions of Appendix A, Section 9 of the New York State Thruway Authority Addendum to the Standard Specifications, of the Agreement shall apply with respect to disclosure of any such Records under the Statute (as defined in such section). Any intra-agency written materials prepared by the Authority, or any written inter-agency materials that are in the possession or control of the Authority, to the extent based on information or records designated as confidential or exempt from disclosure under the Statute as provided in the preceding sentence, shall also be designated and treated as such by the Authority to the fullest extent permitted by law. The Authority may disclose any of the aforementioned information, records and materials to the New York State Department of Transportation, provided that the Department agrees to treat such information, records and material in the same manner as required of the Authority under this paragraph.

The rights and remedies granted to the Authority under this Article 26 are in addition to, and not to the exclusion of, any and all of its rights and remedies under the Contract or at law or in equity.

#### **ARTICLE 27. INDEMNIFICATION.**

The Contractor shall be responsible for all damage to life and property due to negligent or otherwise tortious acts, errors or omissions of the Contractor in connection with its services under the Contract Documents. To the fullest extent permitted by law: (a) the Contractor shall indemnify, hold harmless, and release the Authority, the State of New York, any municipality in which the Work is being performed; and/or any public benefit corporation, railroad or public utility whose property or facilities are affected by the Work from suits, claims, actions, damages, and costs of every name and description resulting from the Work under this Contract and until the Final Acceptance thereof; (b) with respect to personal injury or property damage occurring after Final Acceptance and not covered by the indemnity in clause Article 27 (a), the Contractor shall indemnify, hold harmless, and release the Authority, the State of New York, any municipality in which the Work is being

performed; and/or any public benefit corporation, railroad or public utility from suits, claims, actions, damages, and costs of every name and description resulting from negligent or otherwise tortious acts, errors or omissions of the Contractor in connection with its services under the Contract Documents; and (c) the Contractor shall indemnify, hold harmless, and release the Authority's Inspector from suits, claims, actions, damages, and costs involving personal injury and property damage resulting from the Contractor's Work under the Contract during its prosecution and until the Final Acceptance thereof. The Authority may retain such monies from the amount due the Contractor as may be necessary to satisfy any claim for damages recovered against the Authority, the State of New York, any municipality in which the Work is being performed, any public benefit corporation, railroad, or public utility whose property or facilities are affected by the Work, or the Authority's Inspectors. The Contractor's obligation under this paragraph shall not be deemed waived by the failure of the Authority to retain the whole or any part of such monies due the Contractor, or where such suit, action, damages, and/or costs have not been resolved or determined prior to release of any monies to the Contractor under the Contract. Such obligation shall not be deemed limited or discharged by the enumeration or procurement of any insurance for liability for damages imposed by law upon the Contractor, Subcontractors, the Authority, the State, any municipality in which the Work is being performed, any public benefit corporation, railroad, or public utility whose property or facilities are affected by the Work, or any Department consultants or contractors working relative to the Project.

The Contractor has the obligation, at its own expense, for the defense of any action or proceeding which may be brought against the parties specified in this Article. This obligation shall include the cost of attorney fees, disbursements, costs, and other expenses incurred in connection with such action or proceeding. The provisions of this Article shall survive the expiration or termination of the Contract.

Without limiting the generality of the foregoing, Contractor's obligation to indemnify, save harmless and release the Persons identified in this article specifically includes any suits, claims, actions, damages, and costs of every name and description resulting from any spill or release or threatened spill or release of a Hazardous Material (i) attributable to the negligence, willful misconduct or breach of contract by Contractor, its Subcontractors or agents, or (ii) which was brought onto the Site by Contractor or any of its Subcontractors or agents.

Notwithstanding the foregoing, the Authority reserves the right to join such action, at its sole expense, when it determines there is an issue involving a significant public interest. Such obligation does not extend to those suits, actions, damages, and costs of every name which arise out of the sole negligence of the Authority, the State of New York, any municipality in which the Work is being performed, any public benefit corporation, railroad, or public utility whose property or facilities are affected by the Work of the Project, or any Authority consultants or Contractors working relative to the Project, their agents, or their employees.

#### **ARTICLE 28. NOTICES REGARDING CLAIMS, LITIGATION AND RULINGS.**

The Contractor shall promptly provide written notice to the Authority of all claims, litigation and governmental rulings pertaining to the work where such claims, litigation or rulings could subject the Authority to liability or substantially impair the completion of the Contract work. With such notice, the Contractor shall include a brief summary of the issue involved and the Contractor's position on such issue. Such written notice is additional to and not in place of

any other notices required by the Contract Documents. The Contractor shall cooperate and provide, and shall require all subcontractors to cooperate and provide, such information or records as may be reasonably requested by the Authority concerning such claims, litigation or rulings.

**ARTICLE 29. COOPERATION AND FURTHER ASSURANCES.**

Contractor shall cooperate and provide, and shall cause all subcontractors to cooperate and provide, such information as is necessary or requested by the Authority to assist or facilitate the submission by the Authority of any documentation, reports or analysis required by the State, and/or any other governmental entity with jurisdiction over the work. The Contractor shall promptly execute and deliver to the Authority all such instruments and other documents and assurances as are reasonably requested by the Authority to further evidence the obligations of the Contractor under the Contract.

**ARTICLE 30. SEVERABILITY.**

If any clause, provision, section, article or part of any of the Contract Documents is ruled invalid by a court having proper jurisdiction, the invalidity or unenforceability of any such clause, provision, section, article or part shall not affect the validity or enforceability of the balance of the Contract Documents, which shall be construed and enforced as if the Contract Documents did not contain such invalid or unenforceable clause, provision, section, article or part.

**Contract Number:**

In addition to the acceptance of this contract, I also certify that original copies of this signature page will be attached to all other exact copies of this contract.

IN-WITNESS WHEREOF, the parties hereto have executed this agreement on the day and year first above written.

By: \_\_\_\_\_  
Chief Engineer

: \_\_\_\_\_  
Date

\_\_\_\_\_  
Contractor

Approved as to form

Approved:

Thomas P. DiNapoli  
State Comptroller

\_\_\_\_\_  
New York State Attorney General

By: \_\_\_\_\_

Date: \_\_\_\_\_

**(ACKNOWLEDGMENT BY INDIVIDUAL CONTRACTOR)**

STATE OF NEW YORK

COUNTY OF \_\_\_\_\_ ss.:

On this \_\_\_\_\_ day of \_\_\_\_\_, 202\_,  
before me personally came \_\_\_\_\_ to me  
known and known to me to be the person described in and who executed the foregoing instrument,  
and acknowledged that he executed the same.

\_\_\_\_\_  
*Notary Public*

**(ACKNOWLEDGMENT BY CO-PARTNERSHIP CONTRACTOR)**

STATE OF NEW YORK

COUNTY OF \_\_\_\_\_ ss.:

On this \_\_\_\_\_ day of \_\_\_\_\_, 202  
before me personally came and appeared \_\_\_\_\_ to me known and known  
to me to be the person who executed the above instrument, who, being sworn by me, did for himself  
depose and say that he is a member of the firm of \_\_\_\_\_ consisting of  
himself and \_\_\_\_\_ and that he executed the foregoing instrument in the  
firm name of \_\_\_\_\_ and that he had authority to sign same, and he did duly  
acknowledge to me that he executed the same as the act and deed of said firm of  
\_\_\_\_\_, for the uses and purposes mentioned therein.

\_\_\_\_\_  
*Notary Public*

**(ACKNOWLEDGEMENT OF A CORPORATION)**

STATE OF NEW YORK }  
  }  
COUNTY OF            }

On this \_\_\_\_\_ day of \_\_\_\_\_, 202\_,  
before me personally came \_\_\_\_\_, to me known and known to me to  
be the person who executed the above instrument, who being duly sworn by me, did depose and  
say that he/she resides in \_\_\_\_\_, that he/she is the  
\_\_\_\_\_ of \_\_\_\_\_, the corporation  
described in and which executed the above instrument, and that he/she signed his/her name thereto  
on behalf of said Corporation by order of the Board of Directors of said Corporation.

\_\_\_\_\_  
*Notary Public*

\_\_\_\_\_



**Exhibit V****Vendor Assurance of No Conflict of Interest or Detrimental Effect**

The undersigned entity (“Contractor”), offering to provide services pursuant to this Agreement, as a contractor, joint venture contractor, subcontractor, or consultant, attests that its performance of the services outlined in this Agreement does not and will not create a conflict of interest with nor position the Contractor to breach any other contract currently in force with the New York State Thruway Authority (“Authority”).

Furthermore, the Contractor attests that it will not act in any manner that is detrimental to any Authority project on which the Contractor is rendering services. Specifically, the Contractor attests and certifies that:

1. The fulfillment of obligations by the Contractor does not violate any existing contracts or agreements between the Contractor and the Authority;
2. The fulfillment of obligations by the Contractor does not and will not create any conflict of interest, or perception thereof, with any current role or responsibility that the Contractor has with regard to any existing contracts or agreements between the Contractor and the Authority;
3. The fulfillment of obligations by the Contractor does not and will not compromise the Contractor’s ability to carry out its obligations under any existing contracts between the Contractor and the Authority;
4. The fulfillment of any other contractual obligations that the Contractor has with the Authority will not affect or influence its ability to perform under the Agreement;
5. During the negotiation and execution of any contract, the Contractor will not knowingly take any action or make any decision which creates a potential for conflict of interest or might cause a detrimental impact to the Authority as a whole including, but not limited to, any action or decision to divert resources from one Authority project to another;
6. In fulfilling obligations under each of its Authority contracts, including this Agreement, the Contractor will act in accordance with the terms of each of its Authority contracts and will not knowingly take any action or make any decision which might cause a detrimental impact to the Authority as a whole including, but not limited to, any action or decision to divert resources from one Authority project to another;
7. No former officer or employee of the Authority or State of New York (“State”) who is now employed by the Contractor, nor any former officer or employee of the Contractor who is now employed by the Authority or State, has played a role with regard to the administration of this contract procurement in a manner that may violate section 73(8)(a) of the New York State Public Officers Law; and
8. The Contractor has not and shall not offer to any employee, member or director of the Authority any gift, whether in the form of money, service, loan, travel, entertainment, hospitality, thing or promise, or in any other form, under circumstances in which it could reasonably be inferred that the gift was intended to influence said employee, member or director, or could reasonably be expected to influence said employee, member or director, in the performance of the official duty of said

employee, member or director or was intended as a reward for any official action on the part of said employee, member or director.

Contractor agrees that the Authority recognizes that conflicts may occur in the future because a Contractor may have existing or new relationships. The Authority will review the nature of any such new relationship and reserves the right to terminate the contract for cause if, in its judgment, a real or potential conflict of interest cannot be cured.

This form must be signed by an authorized executive or legal representative.

\_\_\_\_\_  
Contractor Name

\_\_\_\_\_  
Name of Signatory

\_\_\_\_\_  
Title of Signatory

\_\_\_\_\_  
Signature:

\_\_\_\_\_  
Date:

204

CONTRACT:

COUNTY:

---

**FAITHFUL PERFORMANCE BOND**

---

**BOND**

Know all men by these presents, that we (hereinafter called the "Principal")

and \_\_\_\_\_

of \_\_\_\_\_ (hereinafter called the "Surety") are held and firmly bound unto the New York State Thruway Authority, (hereinafter called the "Authority"), in the full and just sum of \_\_\_\_\_ good and lawful money of the United States of America for the payment of which said sum of money, well and truly to be made and done, the said Principal binds himself, his heirs, executors, administrators or assignees and the said SURETY binds itself, its successors or assigns, jointly and severally, firmly by these presents.

Signed, sealed and dated this \_\_\_\_\_ of \_\_\_\_\_, 202\_\_\_\_\_,

Whereas, said Principal has entered into a certain written contract bearing date of the \_\_\_\_\_ day of \_\_\_\_\_, 202 with the Authority for:

Now, therefore, THE CONDITION OF THIS OBLIGATION IS SUCH that if the said Principal shall well, truly and faithfully perform the work in accordance with the terms of the contract, and with the plans and specifications, and will commence and complete the work within the time prescribed in the contract, on his part to be kept and performed according to the terms and tenor of said contract, and shall protect the said N.Y.S. Thruway Authority against, and pay any excess of cost as provided in said contract, and all amounts, damages, costs and judgments which may be recovered against said N.Y.S. Thruway Authority, N.Y.S. Dept. of Transportation the Commissioner of Transportation and the State of N.Y. or its or any of their officers or agents or which the said aforementioned may be called upon to pay to any person or corporation by reason of any damages, direct or indirect, arising or growing out of the doing of said work, or from the negligence, non-feasance, misfeasance, or malfeasance of any officer, agent or employee of the aforementioned, or suffered or claimed on account of aforesaid work during the time thereof and until the final completion and acceptance of the work, or the manner of doing the same, or the neglect of the said Principal, or his agents, or servants, or the improper performance of the said work by the said Principal, or his agents, or servants, or from any other cause, then this obligation shall be null and void, otherwise to remain in full force and virtue.

In the event of a failure of performance of the contract by the Principal, which shall include, but not be limited to, any breach or default of the contract by the Principal, or in case said contract is forfeited by the Principal in the manner provided for in the contract and the said Surety, for value received, hereby stipulates and agrees, if requested to do so by the Authority, has the option to either remedy the default, or breach or forfeiture of the Principal or take charge and fully perform and complete the work, mentioned and described in said contract and specifications, pursuant to the terms, conditions and covenants thereof and as may be amended, at its own expense. The procedure by which the surety undertakes to discharge its obligations under the bond shall be subject to the advance written approval of the Authority. If the Surety completes the contract, it shall be paid for the actual items of work performed in accordance with the Principal's contract terms and prices. In the event the Surety assumes the rights and obligations of the Principal.

It shall be the duty of the Surety to give unequivocal notice in writing to the Authority, within forty-five (45) days after receipt of written notice from the Authority to the Surety, of the Surety's election to remedy default(s) or breach(es) or forfeiture(s) promptly or to perform and fully complete the contract promptly as provided herein, time being of the essence of this bond. In said notice of election, the Surety shall state the date on which the remedy or performance shall commence. During the period between the Authority's notice and Surety's performance of the contract or remedy of the default, breach or forfeiture, the Surety shall be liable for and agrees to pay any and all reasonable and necessary costs as determined by the Authority to maintain the project site safe and convenient to the public.

It shall also be the duty of the Surety to give prompt notice in writing to the Authority upon completion of the remedy and/or correction of each breach or default or completion of the contract. The surety shall not assert solvency of its Principal or its Principal's denial of default as justification for its failure to give notice of election or for its failure to promptly remedy the breach or default or to complete the contract.

In the event the Surety shall fail to exercise either option or to act promptly then the Authority shall give ten (10) days notice of such failure, both to the Principal and the Surety, and after the expiration of the 10 days the Authority may cause the work to be completed in accordance with the contract, and the Surety and the Principal shall be jointly and severally liable for the amount of the excess cost of completing the contract work beyond the amounts remaining for this contract adjusted for the work actually performed. When the cost of completion of performance by the Obligee is estimated, the Principal and Surety shall pay, free from all liens and encumbrances, the Authority determined estimated completion costs above funds remaining for this contract, to the Authority within 30 days of receipt of the estimate. Adjustment to the Authority's estimated completion cost will be made upon the Authority's final acceptance of the work and appropriate refunds, if any, will be promptly made to the Surety. Any actual costs in excess of the estimated price shall be paid to the Authority promptly on demand. Additionally, Principal and Surety shall be liable for any applicable liquidated and/or engineering costs or damages.

In addition, the said Principal and Surety further agree, as part of this obligation, to pay all damages of any kind to person or property that may result from a failure in any respect to perform and complete said contract including, but not limited to costs necessary to protect the traveling public or to avoid inconvenience to the traveling public, (liquidated damages as provided above) all repair and replacement costs necessary to rectify construction errors, architectural and engineering costs and fees, all Contractor fees, all testing and laboratory fees, and all interest, legal fees and litigation costs incurred by the Authority.

And the said Surety hereby stipulates and agrees that no change, extension, alteration, deduction of addition in or to the terms of the said contract or the plans or specification accompanying the same shall in any wise affect the obligation of said Surety on its bond.

L.S.

(Corporate seal of \_\_\_\_\_ L.S. Principal  
principal if a corporation.) \_\_\_\_\_ L.S.

(Corporate seal of \_\_\_\_\_ L.S.  
surety.) \_\_\_\_\_ L.S. Surety

STATE OF NEW YORK  
OFFICE OF THE ATTORNEY GENERAL

I hereby approve the foregoing contract and bond as to form and manner of execution.

Dated \_\_\_\_\_  
\_\_\_\_\_  
Attorney General

**(ACKNOWLEDGMENT BY PRINCIPAL, UNLESS IT BE A CORPORATION)**

STATE OF NEW YORK,

COUNTY OF \_\_\_\_\_ ss.:

On this \_\_\_\_\_ day of \_\_\_\_\_, 202\_, before me personally came \_\_\_\_\_ to me known, to be the person described in and who executed the foregoing instrument and he acknowledged that he executed the same.

\_\_\_\_\_  
*Notary Public*

(Notary's seal to be attached.)

\_\_\_\_\_

**(ACKNOWLEDGMENT BY PRINCIPAL, IF A CORPORATION)**

STATE OF NEW YORK,

COUNTY OF \_\_\_\_\_ ss.:

On this \_\_\_\_\_ day of \_\_\_\_\_, 202\_, before me personally came \_\_\_\_\_ to me known, who being by me duly sworn, did depose and say that he resides in \_\_\_\_\_, that he is the \_\_\_\_\_ of \_\_\_\_\_, the corporation described in and which executed the foregoing instrument: that he knew the seal of the said corporation: that the seal affixed to said instrument was such corporate seal: that it was so affixed by order of the Board of Directors of said corporation, and that he signed his name thereto by like order.

\_\_\_\_\_  
*Notary Public*

**(ACKNOWLEDGED BY SURETY COMPANY)**

STATE OF NEW YORK,

COUNTY OF \_\_\_\_\_ ss.:

On this \_\_\_\_\_ day of \_\_\_\_\_, 202\_, before me personally came \_\_\_\_\_ to me known, who being by me duly sworn, did depose and say that he resides in \_\_\_\_\_, that he is the \_\_\_\_\_ of \_\_\_\_\_, the corporation described in and which executed the foregoing instrument: that he knew the seal of the said corporation: that the seal affixed to said instrument was such corporate seal: that it was so affixed by order of the Board of Directors of said corporation, and that he signed his name thereto by like order.

\_\_\_\_\_  
*Notary Public*

(Notary's seal to be attached.)

\_\_\_\_\_

(The Surety Company must append statement of its financial condition and a copy of the resolution authorizing the execution of Bonds by officers of the Company.)



NEW YORK STATE THRUWAY AUTHORITY

LABOR AND MATERIAL BOND

Know all men by these presents,

That, \_\_\_\_\_  
(Name of Principal)

of \_\_\_\_\_

(hereinafter called the Principal, and \_\_\_\_\_  
(Name of Surety Company)

a corporation of the State of \_\_\_\_\_, authorized to do business in the State of New York, as Surety and whose principal office is located in the City of \_\_\_\_\_, State of \_\_\_\_\_ (hereinafter called the Surety), are held and firmly bound unto the NEW YORK STATE THRUWAY AUTHORITY, (hereinafter called the Authority), in the full and just sum of

\_\_\_\_\_ good and lawful money of the United States of America, for the payment of which said sum of money, well and truly to be made and done, the said Principal and Surety bind themselves, their and each of their heirs, administrators, executors, successors and assigns, jointly and severally, firmly by these presents.

Whereas, said Principal has entered into a certain written contract, with the Authority bearing date \_\_\_\_\_ day of \_\_\_\_\_ 202\_, with the New York State Thruway Authority for:

Which contract is hereby referred to and made a part here of as fully and to the same extent as if copied at length herein.

Now therefore, the condition of this obligation is such that if the said Principal shall promptly pay all moneys due to all persons furnishing labor and materials to him or his subcontractors in the prosecution of work provided for in said contract. Then this obligation shall be void, otherwise to remain in full force and effect;

Provided, however, that the Comptroller of the State of New York having required the said Principal to furnish this bond in order to comply with the provisions of Section 137 of the State Finance Law, all rights and remedies on this bond shall inure solely to such persons and shall be determined in accordance with the provisions, conditions and limitations of said Section to the same extent as if they were copied at length herein; and

Further, provided, that the place of trial of any action on this bond shall be in the county in which the said contract was to be performed, or if said contract was to be performed in more than one county, then in any such county, and not elsewhere.

SIGNED, SEALED AND DELIVERED THIS \_\_\_\_\_ day of \_\_\_\_\_, 202\_

(Principal(s) Sign Here)  
(Affix Corporate Seal If a Corporation)

(Surety Signs Here)  
(Affix Corporate Seal of Surety Co.)

\_\_\_\_\_  
\_\_\_\_\_

\_\_\_\_\_  
\_\_\_\_\_

**FOR PRINCIPAL'S USE ONLY (Use Only One)**

**(INDIVIDUAL ACKNOWLEDGMENT)**  
UNLESS A CORPORATION

STATE OF \_\_\_\_\_

COUNTY OF \_\_\_\_\_ ss.:

On this \_\_\_\_\_ day of \_\_\_\_\_, 202\_, before me personally came \_\_\_\_\_ to me known and known to me to be the person mentioned and described in and who executed in foregoing instrument and he duly acknowledged to me that he executed the same.

\_\_\_\_\_  
*Notary Public*

**(ACKNOWLEDGEMENT OF A CORPORATION)**

STATE OF NEW YORK     }  
  }  
COUNTY OF                }

On this \_\_\_\_\_ day of \_\_\_\_\_, 202\_, before me personally came \_\_\_\_\_, to me known and known to me to be the person who executed the above instrument, who being duly sworn by me, did depose and say that he/she resides in \_\_\_\_\_, that he/she is the \_\_\_\_\_ of \_\_\_\_\_, the corporation described in and which executed the above instrument, and that he/she signed his/her name thereto on behalf of said Corporation by order of the Board of Directors of said Corporation.

\_\_\_\_\_  
*Notary Public*

**FOR SURETY'S USE ONLY**

**(SURETY ACKNOWLEDGMENT)**

STATE OF \_\_\_\_\_

COUNTY OF \_\_\_\_\_ ss.:

On this \_\_\_\_\_ day of \_\_\_\_\_, 202\_, before me personally came \_\_\_\_\_ that he is the \_\_\_\_\_ of the \_\_\_\_\_ the corporation described in and which executed the above instruments; that he knows the seal of said corporation, that the seal affixed to said instrument is such corporate seal; that it was so affixed by order of the Board of Directors of Said corporation, and that he signed his name thereto by like order.

\_\_\_\_\_  
*Notary Public*

**APPENDIX A**

## Standard Clauses For New York State Thruway Authority Contracts

The parties to the attached contract, license, lease, amendment or other agreement of any kind (“the contract” or “this contract”) agree to be bound by the following clauses which are hereby made a part of the contract (the word “Contractor” herein refers to any party and its agents, successors and assigns, other than the Thruway Authority (“Authority”), whether a contractor, licensor, licensee, lessor, lessee or any other party):

1. **NON-ASSIGNMENT CLAUSE.** This contract may not be assigned by the Contractor nor may its right, title or interest therein be assigned, transferred, conveyed, subcontracted, sublet or otherwise disposed of without the previous consent, in writing, of the Authority and any attempts to assign the contract without the Authority’s written consent are null and void.

2. **COMPTROLLER APPROVAL.** Where required by law, this contract may require approval of the State Comptroller and shall not be valid until it has been approved by the State Comptroller and filed in its office.

3. **WORKERS’ COMPENSATION AND DISABILITY BENEFITS.** This contract shall be void and of no force and effect unless the Contractor shall provide and maintain coverage during the life of this contract for the benefit of such employees as are required to be covered by the provisions of the State Workers’ Compensation Law. If employees will be working on, near or over navigable waters, a U.S. Longshore and Harbor Workers’ Compensation Act endorsement must be included.

4. **NON-DISCRIMINATION REQUIREMENTS.** To the extent required by Article 15 of the State Executive Law (also known as the Human Rights Law) and all other State and Federal statutory and constitutional non-discrimination provisions, the Contractor will not discriminate against any employee or applicant for employment because of race, creed, color, sex (including gender identity or expression), national origin, sexual orientation, military status, age, disability, predisposing genetic characteristics, marital status or domestic violence victim status or because the individual has opposed any practices forbidden under the Human Rights Law or has filed a complaint, testified, or assisted in any proceeding under the Human Rights Law. Furthermore, in accordance with State Labor Law §220-e, if this is a contract for the construction, alteration or repair of any public building or public work or for the manufacture, sale or distribution of materials, equipment or supplies, and to the extent that this contract shall be performed within the State of New York, Contractor agrees that neither it nor its subcontractors shall by reason of race, creed, color, disability, sex or national origin: (a) discriminate in hiring against any New York State citizen who is qualified and

available to perform the work; or (b) discriminate against or intimidate any employee hired for the performance of work under this contract. If this is a building service contract as defined in State Labor Law §230, then, in accordance with §239 thereof, the Contractor agrees that neither it nor its subcontractors shall, by reason of race, creed, color, national origin, age, sex or disability: (a) discriminate in hiring against any New York State citizen who is qualified and available to perform the work; or (b) discriminate against or intimidate any employee hired for the performance of work under this contract. The Contractor is subject to fines of \$50 per person per day for any violation of State Labor Law §§220-e or 239 as well as possible termination of this contract and forfeiture of all moneys due hereunder for a second or subsequent violation.

5. **WAGE AND HOURS PROVISIONS.** If this is a public work contract covered by Article 8 of the State Labor Law or a building service contract covered by Article 9 thereof, neither the Contractor’s employees nor the employees of its subcontractors may be required or permitted to work more than the number of hours or days stated in said statutes, except as otherwise provided in the State Labor Law and as set forth in prevailing wage and supplement schedules issued by the State Labor Department. Furthermore, the Contractor and its subcontractors must pay at least the prevailing wage rate and pay or provide the prevailing supplements, including the premium rates for overtime pay, as determined by the State Labor Department in accordance with the State Labor Law. Additionally, effective April 28, 2008, if this is a public work contract covered by Article 8 of the New York State Labor Law, the Contractor understands and agrees that the filing of payrolls in a manner consistent with subdivision 3-a of §220 of the New York State Labor Law shall be a condition precedent to payment by the Authority of any Authority approved sums due and owing for work done on the project.

6. **NON-COLLUSIVE BIDDING CERTIFICATION.** In accordance with State Public Authorities Law §2878, if this contract was awarded based upon the submission of bids, the Contractor warrants, under penalty of perjury, that its bid was arrived at independently and without collusion aimed at restricting competition. The Contractor further warrants that, at the time the Contractor submitted its bid, an authorized and responsible person executed and delivered to the Authority a non-collusive bidding certification on the Contractor’s behalf.

7. **INTERNATIONAL BOYCOTT PROHIBITION.** In accordance with State Labor Law §220-f, if this contract exceeds \$5,000, the Contractor agrees, as a material condition of this contract, that neither the Contractor nor any substantially owned or affiliated person, firm, partnership, or corporation has participated, is participating, or shall

participate in an international boycott in violation of the Federal Export Administration Act of 1979 (50 USC App. §§2401 et seq.) or regulations thereunder. If such Contractor, or any of the aforesaid affiliates of the Contractor, is convicted or is otherwise found to have violated said laws or regulations upon the final determination of the United States Commerce Department or any other appropriate agency of the United States subsequent to the contract's execution, such contract, amendment or modification thereto shall be rendered forfeit and void. The Contractor shall so notify the Authority within five (5) business days of such conviction, determination or disposition of appeal.

8. **SET-OFF RIGHTS.** The Authority shall have rights of set-off. These rights shall include, but not be limited to, the Authority's option to withhold for the purposes of set-off any moneys due to the Contractor under this contract up to any amounts due and owing by the Contractor to the Authority with regard to this contract, or any other contract with the Authority, including any contract for a term commencing prior to the term of this contract, plus any amounts due and owing to the Authority for any other reason including, without limitation, monetary penalties, adjustments, fees, or claims for damages by the Authority and third parties in connection therewith.

9. **RECORDS.** The Contractor shall establish and maintain complete and accurate books, records, documents, accounts and other evidence directly pertinent to performance under this contract (collectively, "Records") for a period of six (6) years (or any other longer period required by law) following final payment or the termination of this contract, whichever is later, and any extensions thereto. The Authority, State Comptroller, State Attorney General and any other person or entity authorized to conduct an examination shall have access to the Records during normal business hours at an office of the Contractor within New York State, or, if no such office is available, at a mutually agreeable and reasonable venue within the State, during the contract term, any extensions thereof and said six (6) year period thereafter, for purposes of inspection, auditing and copying. As used in this clause, "termination of this contract" shall mean the later of completion of the work of the contract or the end date of the term stated in the contract. The Authority will take reasonable steps to protect from public disclosure those Records which are exempt from disclosure under State Public Officers Law §87 ("Statute") provided that: (i) the Contractor shall timely inform an appropriate Authority official, in writing, that said records should not be disclosed; (ii) said records shall be sufficiently identified; and (iii) designation of said records as exempt under the Statute is reasonable. Nothing contained herein shall diminish, or in any way adversely affect, the Authority's right to discovery in any pending or future litigation.

10. **IDENTIFYING INFORMATION AND PRIVACY NOTIFICATION.** All invoices or New York State standard vouchers submitted for payment for the sale of goods or services or the lease of real or personal property to the

Authority must include the payee's identification number, i.e., the seller's or lessor's identification number. The number is either the payee's Federal employer identification number or Federal social security number, or both such numbers when the payee has both such numbers. Failure to include this number or numbers may delay payment. Where the payee does not have such number or numbers, the payee, on its invoice or New York State standard voucher, must give the reason or reasons why the payee does not have such number or numbers.

The authority to request the above personal information from a seller of goods or services or a lessor of real or personal property, and the authority to maintain such information, is found in State Tax Law §5. Disclosure of this information by the seller or lessor to the Authority is mandatory. The principal purpose for which the information is collected is to enable the State to identify individuals, businesses and others who have been delinquent in filing tax returns or may have understated their tax liabilities and to generally identify persons affected by the taxes administered by the State Commissioner of Taxation and Finance. The information will be used for tax administration purposes and for any other purpose authorized by law.

The above personal information is maintained at the New York State Thruway Authority, Department of Finance and Accounts, P.O. Box 189, Albany, New York 12201.

11. **EQUAL EMPLOYMENT OPPORTUNITIES FOR MINORITIES AND WOMEN.** In accordance with State Executive Law §312, if this contract is: (i) a written agreement or purchase order instrument, providing for a total expenditure in excess of \$25,000, whereby the Authority is committed to expend or does expend funds in return for labor, services, supplies, equipment, materials or any combination of the foregoing, to be performed for, or rendered or furnished to the Authority; or (ii) a written agreement in excess of \$100,000 whereby the Authority is committed to expend or does expend funds for the acquisition, construction, demolition, replacement, major repair or renovation of real property and improvements thereon; or (iii) a written agreement in excess of \$100,000 whereby the owner of a State assisted housing project is committed to expend or does expend funds for the acquisition, construction, demolition, replacement, or major repair or renovation of real property and improvements thereon for such project, then the following shall apply and by signing this contract the Contractor certifies and affirms that it is Contractor's equal employment opportunity policy that:

(a) The Contractor will not discriminate against employees or applicants for employment because of race, creed, color, national origin, sex, age, disability, or marital status, and shall make and document its conscientious and active efforts to employ and utilize minority group members and women in its work force on Authority contracts and will undertake or continue existing programs of affirmative action to ensure that minority group members and women are afforded equal

employment opportunities without discrimination. As used in this clause, "affirmative action" shall mean recruitment, employment, job assignment, promotion, upgrading, demotion, transfer, lay-off or termination, and rates of pay or other forms of compensation.

(b) At the request of the Authority, the Contractor shall request each employment agency, labor union, or authorized representative of workers with which it has a collective bargaining or other agreement or understanding, to furnish a written statement that such employment agency, labor union or representative will not discriminate on the basis of race, creed, color, national origin, sex, age, disability or marital status, and that such union or representative will affirmatively cooperate in the implementation of the Contractor's obligations herein.

(c) The Contractor shall state, in all solicitations or advertisements for employees, that in the performance of this contract all qualified applicants will be afforded equal employment opportunities without discrimination because of race, creed, color, national origin, sex, age, disability or marital status.

The Contractor shall include the provisions of (a), (b) and (c) above in every subcontract over \$25,000 for the construction, demolition, replacement, major repair, renovation, planning or design of real property and improvements thereon except where such work is for the beneficial use of the Contractor. Section 312 does not apply to: (i) work, goods or services unrelated to this contract; or (ii) employment outside New York State. The Authority will consider compliance by a Contractor or its subcontractor with the requirements of any Federal law concerning equal employment opportunity which effectuates the purpose of this section. The Authority shall determine whether the imposition of the requirements of the provisions hereof duplicate or conflict with any such Federal law, and if such duplication or conflict exists, the Authority may waive the applicability of §312 of the Executive Law to the extent of such duplication or conflict. The Contractor shall comply with all duly promulgated and lawful rules and regulations of the Department of Economic Development's Division of Minority and Women's Business Development pertaining thereto.

**12. CONFLICTING TERMS.** In the event of a conflict between the terms of the contract (including any and all attachments thereto and amendments thereof) and the terms of this Appendix A, the terms of this Appendix A shall control.

**13. GOVERNING LAW.** This contract shall be governed by the laws of the State of New York except where the Federal supremacy clause requires otherwise.

**14. LATE PAYMENT.** Timeliness of payment and any interest to be paid to the Contractor for late payment shall be governed by State Public Authorities Law §2880 and 21 NYCRR Part 109.

**15. NO ARBITRATION.** Disputes involving this contract, including the breach or alleged breach thereof, may not be submitted to binding arbitration (except where statutorily authorized) but must, instead, be heard in a court of competent jurisdiction of the State of New York.

**16. SERVICE OF PROCESS.** In addition to the methods of service allowed by the State Civil Practice Law & Rules, the Contractor hereby consents to service of process upon it by registered or certified mail, return receipt requested. Service hereunder shall be complete upon the Contractor's actual receipt of process or upon the Authority's receipt of the return thereof by the United States Postal Service as refused or undeliverable. The Contractor must promptly notify the Authority, in writing, of each and every change of address to which service of process can be made. Service by the Authority to the last known address shall be sufficient. The Contractor will have thirty (30) calendar days after service hereunder is complete in which to respond.

**17. PROHIBITION ON PURCHASE OF TROPICAL HARDWOODS.** The Contractor certifies and warrants that all wood products to be used under this contract will be in accordance with, but not limited to, the specifications and provisions of State Finance Law §165 (Use of Tropical Hardwoods) which prohibits purchase and use of tropical hardwoods, unless specifically exempted, by the State or any governmental agency or political subdivision or public benefit corporation. Qualification for an exemption under this law will be the responsibility of the Contractor to establish to meet with the approval of the Authority.

In addition, when any portion of this contract involving the use of woods, whether supply or installation, is to be performed by any subcontractor, the prime Contractor will indicate and certify in the submitted bid proposal that the subcontractor has been informed and is in compliance with specifications and provisions regarding use of tropical hardwoods as detailed in State Finance Law §165. Any such use must meet with the approval of the Authority; otherwise, the bid may not be considered responsive. Under bidder certifications, proof of qualification for exemption will be the responsibility of the Contractor to meet with the approval of the Authority.

**18. MACBRIDE FAIR EMPLOYMENT PRINCIPLES.** In accordance with the MacBride Fair Employment Principles (Chapter 807 of the Laws of 1992), the Contractor hereby stipulates that the Contractor either (a) has no business operations in Northern Ireland, or (b) shall take lawful steps in good faith to conduct any business operations in Northern Ireland in accordance with the MacBride Fair Employment Principles (as described in State Finance Law §165), and shall permit independent monitoring of compliance with such principles.

**19. OMNIBUS PROCUREMENT ACT OF 1992.** It is the policy of New York State to maximize opportunities for the

participation of New York State business enterprises, including minority and women-owned business enterprises as bidders, subcontractors and suppliers on its procurement contracts.

Information on the availability of New York State subcontractors and suppliers is available from:

NYS Department of Economic Development  
Division for Small Business  
30 South Pearl Street – 7th Floor  
Albany, NY 12245  
Phone: (518) 292-5220  
Fax: (518) 292-5884  
<http://www.esd.ny.gov>

A directory of certified minority and women-owned business enterprises is available from:

NYS Department of Economic Development Minority and Women's Business Development Division  
30 South Pearl Street – 2nd Floor  
Albany, NY 12245  
Phone: (518) 292-5250  
Fax: (518) 292-5803  
<http://www.esd.ny.gov>

The Omnibus Procurement Act of 1992 requires that by signing this bid proposal or contract, as applicable, the Contractor certifies that whenever the total bid amount is greater than \$1 million:

(a) The Contractor has made reasonable efforts to encourage the participation of New York State Business Enterprises as suppliers and subcontractors, including certified minority and women-owned business enterprises, on this project, and has retained the documentation of these efforts to be provided upon request to the Authority;

(b) The Contractor has complied with the Federal Equal Opportunity Act of 1972 (P.L. 92-261), as amended;

(c) The Contractor agrees to make reasonable efforts to provide notification to New York State residents of employment opportunities on this project through listing any such positions with the Job Service Division of the NYS Department of Labor, or providing such notification in such manner as is consistent with existing collective bargaining contracts or agreements. The Contractor agrees to document these efforts and to provide said documentation to the Authority upon request; and

(d) The Contractor acknowledges notice that the Authority may seek to obtain offset credits from foreign countries as a result of this contract and agrees to cooperate with the Authority in these efforts.

**20. RECIPROCITY AND SANCTIONS PROVISIONS.** Bidders are hereby notified that if their principal place of business is located in a country, nation, province, state or

political subdivision that penalizes New York State vendors, and if the goods or services they offer will be substantially produced or performed outside New York State, the Omnibus Procurement Act 1994 and 2000 amendments (Chapters 684 and 383, respectively) require that they be denied contracts which they would otherwise obtain. Contact the Department of Economic Development, Division for Small Business, 30 South Pearl Street, Albany, New York 12245, for a current list of jurisdictions subject to this provision. NOTE: As of October 2019, the list of discriminatory jurisdictions subject to this provision includes the states of South Carolina, Alaska, West Virginia, Wyoming, Louisiana and Hawaii.

**21. NON-PUBLIC PERSONAL INFORMATION.** The Contractor shall comply with the provisions of the New York State Information Security Breach and Notification Act (General Business Law §899-aa; State Technology Law §208). In addition to any relief or damages that may be imposed pursuant to the provisions of this Act, the Contractor shall be liable for the costs imposed upon the Authority which are associated with breach of the Act if caused by Contractor's negligent or willful acts or omissions, or the negligent or willful acts or omissions of the Contractor's agents, officers, employees or subcontractors.

**22. IRAN DIVESTMENT ACT.** In accordance with State Public Authorities Law §2879-c, if this is a contract for work or services performed or to be performed, or goods sold or to be sold, the Contractor subscribes and affirms, under penalty of perjury, that: by signing this contract, each person and each person signing on behalf of any other party certifies, and in the case of a joint bid or partnership each party thereto certifies as to its own organization, under penalty of perjury, that to the best of its knowledge and belief that each person is not on the list created pursuant to paragraph (b) of subdivision 3 of §165-a of the State Finance Law, entitled "Entities Determined to be Non-Responsive Bidders/Offerers pursuant to the New York State Iran Divestment Act of 2012" ("Prohibited Entities List") posted at: <https://ogs.ny.gov/list-entities-determined-be-non-responsive-biddersofferers-pursuant-nys-iran-divestment-act-2012>.

For the purposes of this clause, the term "person" shall be as defined in subdivision (1)(e) of §165-a of the State Finance Law.

Contractor further certifies that it will not utilize on this contract any subcontractor that is identified on the Prohibited Entities List. Contractor agrees that should it seek to renew or extend this contract, it must provide the same certification at the time the contract is renewed or extended. Contractor also agrees that any proposed Assignee of this contract will be required to certify that it is not on the Prohibited Entities List before the contract assignment will be approved by the Authority.

During the term of the contract, should the Authority receive information that a person (as defined in State Finance Law § 165-a) is in violation of the above-referenced certifications, the Authority will review such information and offer the person an opportunity to respond. If the person fails to demonstrate that it has ceased its engagement in the investment activity which is in violation of the Act within 90 days after the determination of such violation, then the Authority shall take such action as may be appropriate and provided for by law, rule, or contract, including, but not limited to, imposing sanctions, seeking compliance, recovering damages, or declaring the Contractor in default.

**23. OBSERVANCE OF LAWS.** The Contractor agrees to observe all applicable Federal, State and local laws and regulations, and to procure all necessary licenses and permits.

**24. NO WAIVER OF PROVISIONS.** The Authority's failure to exercise or delay in exercising any right or remedy under this contract shall not constitute a waiver of such right or remedy or any other right or remedy set forth therein. No waiver by the Authority of any right or remedy under this contract shall be effective unless made in a writing duly executed by an authorized officer of the Authority, and such waiver shall be limited to the specific instance so written and shall not constitute a waiver of such right or remedy in the future or of any other right or remedy under this contract.

**25. ENTIRE AGREEMENT.** This contract, together with this Appendix A and any other appendices, attachments, schedules or exhibits, constitutes the entire understanding between the parties and there are no other oral or extrinsic understandings of any kind between the parties. This contract may not be changed or modified in any manner except by a subsequent writing, duly executed by the parties thereto.

**26. ADMISSIBILITY OF REPRODUCTION OF CONTRACT.** Notwithstanding the best evidence rule or any other legal principle or rule of evidence to the contrary, the Contractor acknowledges and agrees that it waives any and all objections to the admissibility into evidence at any court proceeding or to the use at any examination before trial of an electronic reproduction of this contract, in the form approved by the State Comptroller, if such approval was required, regardless of whether the original of said contract is in existence.

**27. CERTIFICATION OF REGISTRATION TO COLLECT SALES AND COMPENSATING USE TAX BY CERTAIN STATE CONTRACTORS, AFFILIATES AND SUBCONTRACTORS.** To the extent this agreement is a contract as defined by Tax Law § 5-a, if the Contractor fails to make the certification required by Tax Law § 5-a or if during the term of the contract, the Department of Taxation and Finance or the Authority, as defined by Tax Law § 5-a, discovers that the certification, made under penalty of perjury, is false, then such failure to file or false certification shall be a

material breach of this contract and this contract may be terminated, by providing written notification to the Contractor in accordance with the terms of the agreement, if the Authority determines that such action is in the best interest of the Authority.

**28. CONTRACT INVOLVING STEEL PRODUCTS.** Contracts involving steel products are subject to Public Authorities Law § 2603-a, and steel products to be provided or incorporated by Contractor must be produced or made in whole or substantial part in the United States as set forth therein.